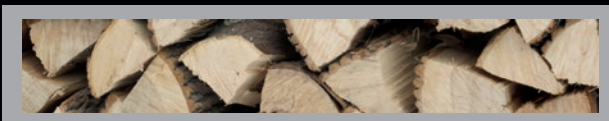


Valcourt

The Fireplace of Your Dreams

Wood fireplaces
DECORATIVE • PERFORMANCE

www.valcourtinc.com







Valcourt

A legendary high quality fit and finish.
Discover the perfect combination of
performance, style and ambiance in the
greatest respect for the environment.

The Fireplace of Your Dreams



Contents

For ambiance

FP1LM - Manoir	8
FP7CB - Antoinette	10
FP11 - Frontenac	12
FP2 - Beaumont	14
FP5 - Westmount	16
FP16 - St-Laurent	18

For performance

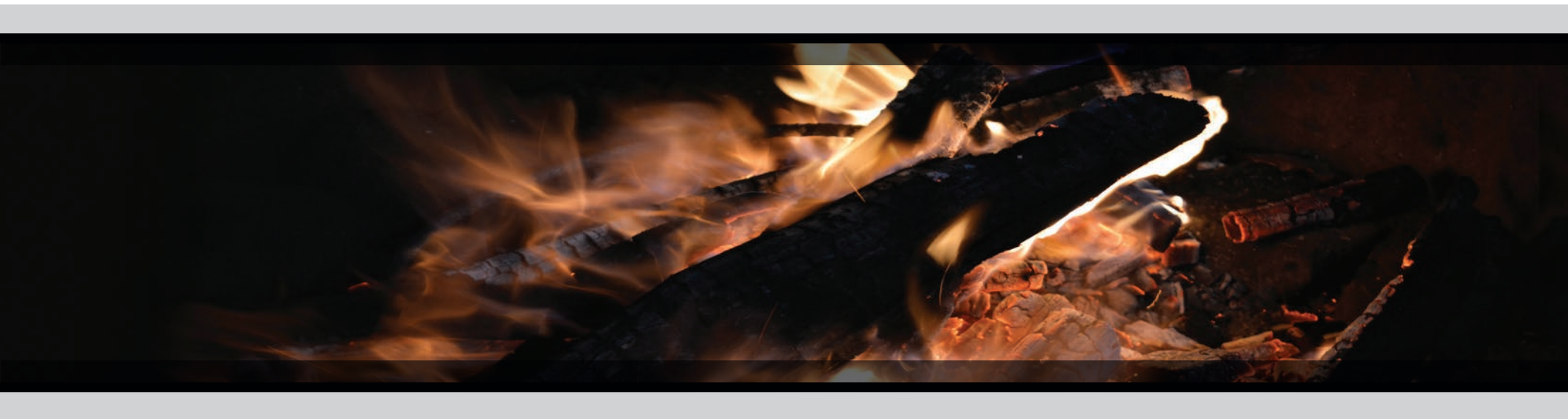
FP10 - Lafayette	22
FP12 - Mundo	24
FP14 - Cartier	26
FP15 - Waterloo	28
FP15A - Waterloo	30
Heat distribution systems	32
Technical data	33
Manufacturers, brands and types of approved chimneys	35
Fireplace accessories	36
Warranty	39





Valcourt

Images in this catalog are for reference only.
Some changes may have been made to the products or technical data
after the publication of this brochure. Valcourt reserves itself the right to
modify its products without any obligation on its part.





Decorative fireplaces

FOR AMBIANCE

The main purpose of these fireplaces is the ambiance and comfort of a wood fire, with doors opened or closed. If needed, they are also an alternate source of heat.



Decorative fireplace with modern style doors and traditional faceplate.



Decorative fireplace with modern style doors and traditional style faceplate and hot air gravity distribution kit.



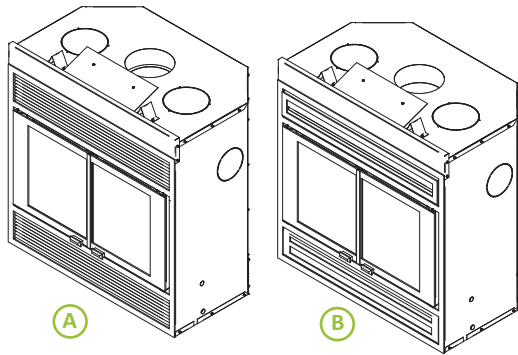
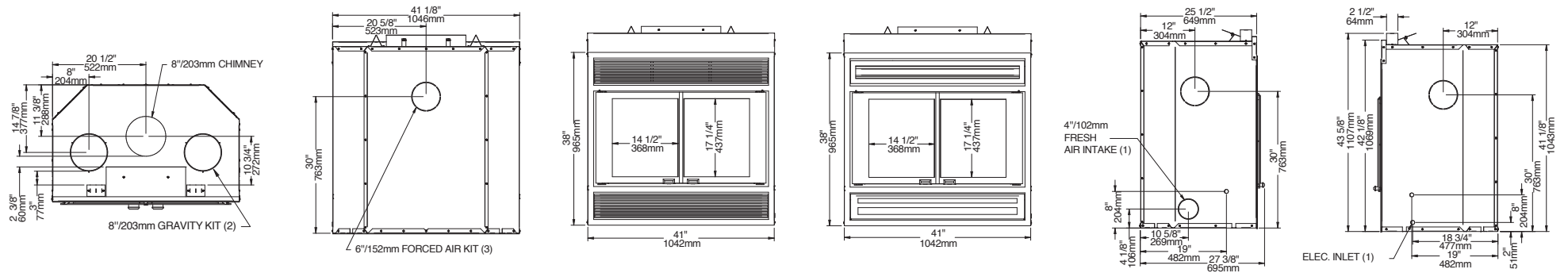
Decorative fireplace with modern style doors and faceplate and hot air gravity distribution kit.



FP1LM - Manoir
Decorative fireplace with modern style doors and faceplate.

FP1LM - Manoir

The Manoir is the updated version of Valcourt's very first fireplace. Valcourt's fireplace doors are second to none and the Manoir is another good example of their uniqueness. The steel framed double doors with ceramic glass slide into each side of the fireplace, smoothly and easily, allowing for an exceptional view of the crackling flames. Thanks to the availability of two different styles of faceplates, this fireplace will enable you to be creative with your decor. Moreover, you can benefit from the Manoir's maximum heating output by using its included blower and its optional hot air distribution kits (gravity or forced air). All Valcourt fireplaces feature a heavy duty construction for guaranteed peace of mind. A real solid luxury that will provide years of relaxation for you and your family.



Features

- Firebox volume of 4.25 cu. ft.
- Retractable ceramic glass doors
- Cast iron andirons
- Moulded refractory bricks
- Thermal activation blower with variable speed control
- Requires an 8" chimney
- Fresh air intake adapter included

Required components

- Traditional style faceplate - metallic black (A)
- Modern style faceplate - metallic black (B)

Options

- Hot air gravity distribution kit - modern style
- Hot air gravity distribution kit - traditional style
- Forced air distribution kit
- 6" x 25' insulated flex pipe for forced air distribution kit

Technical data contained in this catalogue are for reference only. Any installation must be done according to the data and drawings detailed in the owner's manual.



Modern style doors

This model is **EPA QUALIFIED** Under the **LOW MASS** Wood-Burning Fireplace Program **PHASE 2** EMISSION LEVEL

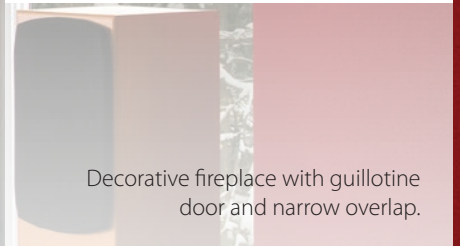
FP7CB - Antoinette
Decorative fireplace with
guillotine door and masonry trim.



*Contemporary



*Classic



Decorative fireplace with guillotine
door and narrow overlap.



Cast iron andirons

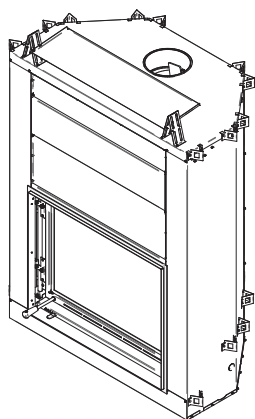
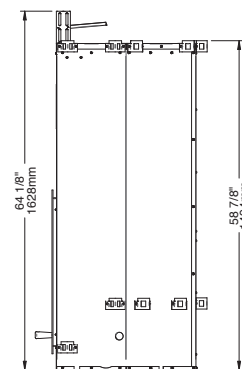
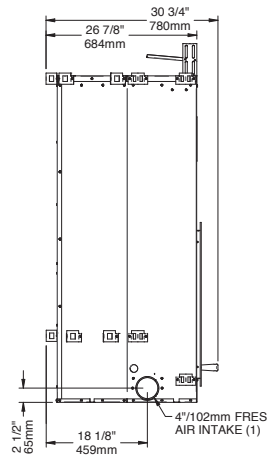
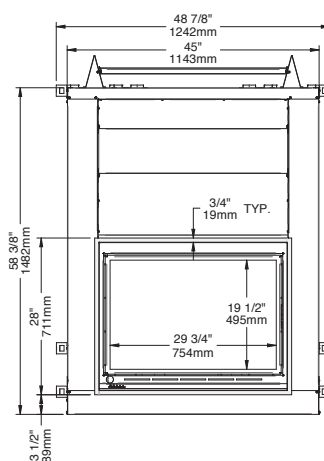
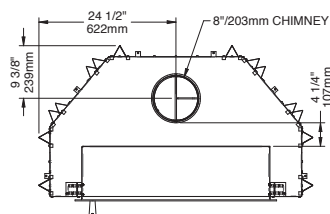
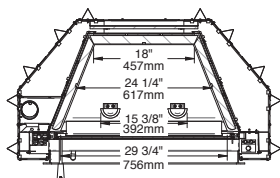
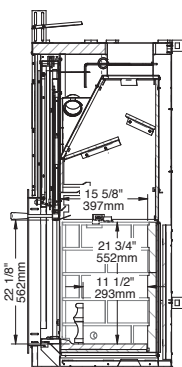
Dare to design... the fireplace of your dreams, while being environmentally friendly.

The US Environmental Protection Agency (EPA) initiated a voluntary program for manufacturers of decorative wood burning fireplaces to encourage manufacturers to produce clean wood-burning appliances that reduce air pollution.

The FP7CB - Antoinette wood fireplace already qualifies for phase II of the EPA voluntary program. With emissions of 4.0 g/kg (approximately 70 percent cleaner than unqualified models), you can benefit from a product with low particulate emissions.

Another advantage of this Valcourt fireplace is its guillotine door that disappears to allow you to load wood on the fire or relax with the crackle of the open fireplace. The firescreen is also on a guillotine mechanism so you can close it when the ceramic glass door is open. Why Antoinette? Finally, a positive historical reference to the guillotine! The guillotine door and clean front gives you the flexibility to design your fireplace in any way that suits you. The Antoinette is a truly versatile fireplace and is all about giving you the ability to design your fireplace exactly how YOU want it to be.

FP7CB - Antoinette



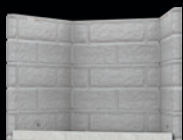
Features

- Firebox volume of 5.3 cu. ft.
- Guillotine ceramic glass door
- Guillotine rigid fire screen door
- Cast iron andirons
- Moulded refractory bricks
- Requires an 8" chimney
- Fresh air intake adapter included

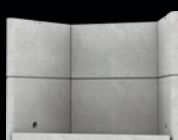
Required components

- Narrow overlap; painted black
- Masonry trim
- Classic moulded refractory brick panel
- Contemporary moulded refractory brick panel

Technical data contained in this catalogue are for reference only. Any installation must be done according to the data and drawings detailed in the owner's manual.



* Classic moulded refractory brick panel



* Contemporary moulded refractory brick panel

This model is **EPA QUALIFIED** Under the LOW MASS Wood-Burning Fireplace Program **PHASE 2** EMISSION LEVEL



Clean burning decorative wood fireplace with guillotine door and arched narrow overlap.



Clean burning decorative wood fireplace with guillotine door and straight narrow overlap.



Clean burning decorative wood fireplace with guillotine door and straight masonry trim.



* Herringbone



* Classic



* Contemporary



FP11 - Frontenac
Clean burning decorative wood fireplace with guillotine door and arched masonry trim.



Cast iron andirons

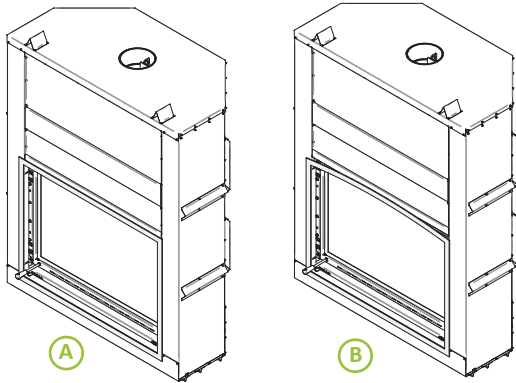
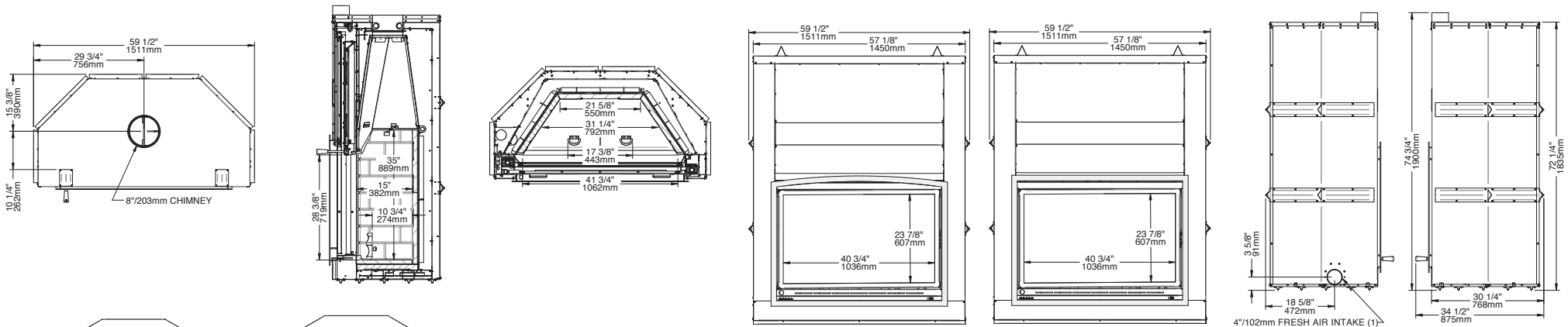
Dare to design... the fireplace of your dreams, while being environmentally friendly!

Frontenac is not only the name of a grand hotel located in the heart of Quebec City, Canada. It is also the largest fireplace of the Valcourt brand. Majestic and imposing, this bravery symbol of the Count of Frontenac, who has fiercely defended the French colony, is quite appropriate to represent the enormous challenge overtaken when designing and manufacturing this fireplace. Exceptionally large, the FP11 -Frontenac uses advanced technology to reduce air pollution. Indeed, the FP11 -Frontenac already qualifies for Phase II of the US Environmental Protection Agency (EPA) voluntary program for manufacturers of decorative wood burning fireplaces.

With particulate emissions of 4.2 g/kg (which is approximately 70 percent cleaner than unqualified models), the FP11 -Frontenac will surely give you elegance without compromising air quality.

Just like the FP7CB -Antoinette, the FP11 -Frontenac has a guillotine door that disappears in the hearth, allowing you to easily load wood on the fire and have an unrivaled view of the flames. The firescreen is also equipped with a guillotine mechanism. You will thus enjoy an open fire safely when the ceramic glass door is open. Finally, the bare front allows significant flexibility and creativity in the design of your interior decor.

FP11 - Frontenac



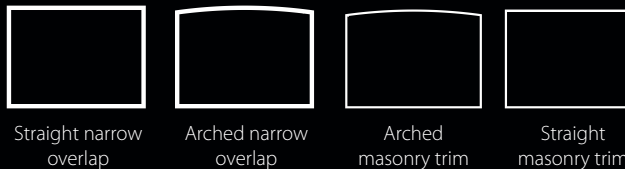
Features

- Firebox volume of 9.4 cu. ft.
- Guillotine ceramic glass door
- Guillotine rigid firescreen door
- Cast iron andirons
- Three styles of firebox moulded refractory panels
- Requires an 8" chimney
- Fresh air intake adapter included

Required components

- Straight narrow overlap **(A)**
- Arched narrow overlap **(B)**
- Arched masonry trim
- Straight masonry trim
- Classic moulded refractory brick panel
- Herringbone moulded refractory vermiculite panel
- Contemporary moulded refractory brick panel

Technical data contained in this catalogue are for reference only. Any installation must be done according to the data and drawings detailed in the owner's manual.



This model is **EPA QUALIFIED** Under the LOW MASS Wood-Burning Fireplace Program **PHASE 2** EMISSION LEVEL



Decorative fireplace with modern style folding doors and narrow painted black overlap.



Decorative fireplace with modern style folding doors and large painted black overlap.



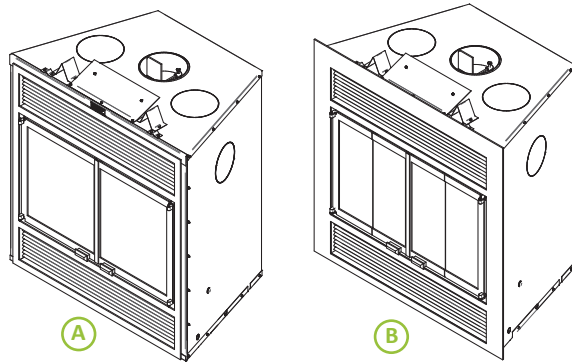
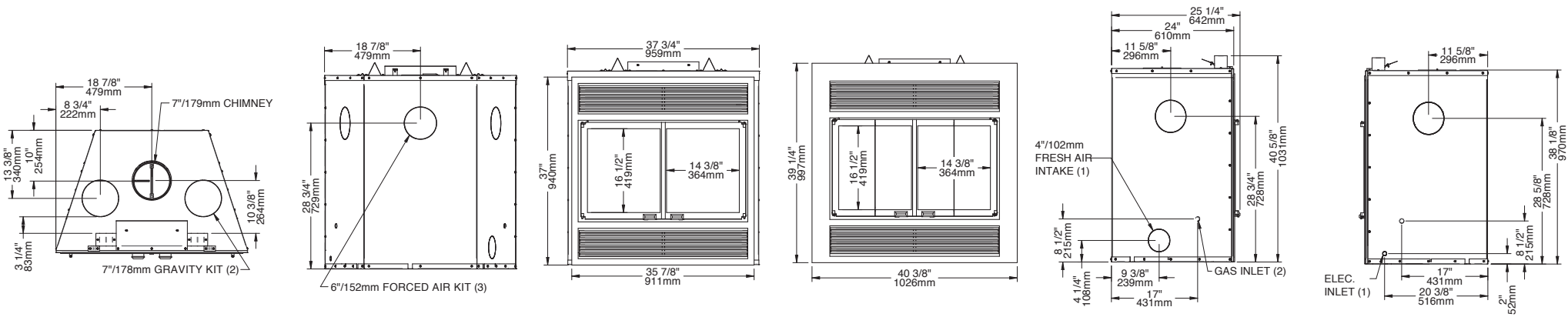
EQUISS
Fireplace tool sets
See page 36

FP2 -Beaumont
Decorative fireplace with modern style folding doors and narrow brushed nickel plated overlap.

Imagine yourself sitting on your sofa or perhaps in your bathtub, sipping your favorite beverage and watching the open fire as it dances, snaps and crackles in your Beaumont fireplace. What a delightful way to relieve yourself of the day's stress.

Ahhh... now doesn't that feel better?

FP2 - Beaumont



Features

- Firebox volume of 3.0 cu. ft.
- Two styles of ceramic glass doors
- Rigid firescreen doors
- Tilt up cast iron grate
- Moulded refractory bricks
- Thermal activation blower with variable speed control
- Requires an 7" chimney
- Fresh air intake adapter included

Required components

- (A) Narrow overlap; painted black or brushed nickel plated
- (B) Large overlap; painted black

Options

- Hot air gravity distribution kit
- Forced air distribution kit
- 6" x 25' insulated flex pipe for forced air distribution kit

Technical data contained in this catalogue are for reference only. Any installation must be done according to the data and drawings detailed in the owner's manual.



Modern style doors



Modern style folding doors

This appliance is
EPA exempt



Decorative fireplace with modern style doors and narrow brushed nickel plated overlap.

Decorative fireplace with modern style folding doors and large overlap.



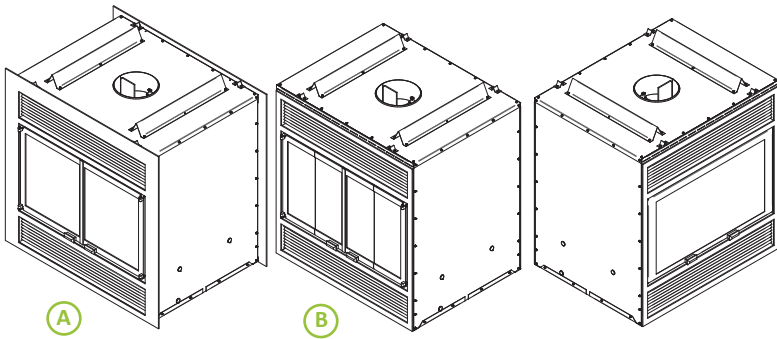
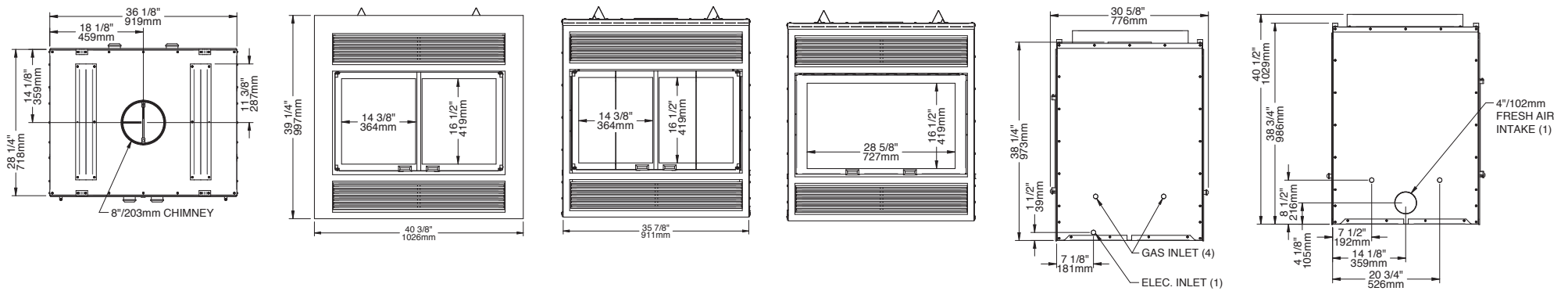
FP5 - Westmount
Decorative see-through wood fireplace with modern style folding doors and painted black narrow overlap.

So what's better than a Valcourt fireplace in one room? How about a Valcourt fireplace that has a face in two rooms at the same time? A double sided Valcourt fireplace. That is what the Westmount gives to the Valcourt line. Great in a master suite between the bedroom and bathroom. Very romantic. Or how about between a dining room and a living room? Or maybe between a dining room and a kitchen.

Whatever or wherever you desire a see-through fireplace, the Westmount is there for you.

Enjoy the fire wherever you may happen to be!

FP5 - Westmount



Back view

Features

- See-through fireplace
- Firebox volume of 3.5 cu. ft.
- Two styles of ceramic glass doors
- Second side with fixed ceramic glass
- Rigid firescreen doors
- Cast iron grate
- Moulded refractory bricks
- Requires an 8" chimney
- Fresh air intake adapter included

Required components

- A** Large overlap; painted black
- B** Narrow overlap; painted black or brushed nickel plated
(To complete the installation, two sets of overlaps must be ordered. One for each side).

Option

Thermal activation blower with variable speed control

Technical data contained in this catalogue are for reference only. Any installation must be done according to the data and drawings detailed in the owner's manual.



Modern style doors



Modern style folding doors

This appliance is
EPA exempt



FP16-St-Laurent
Decorative fireplace with guillotine door and black straight narrow overlap.

The fireplace of your dreams

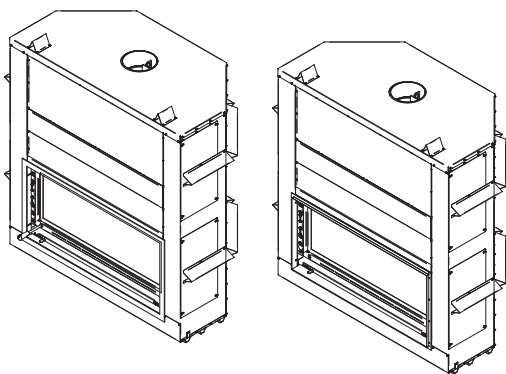
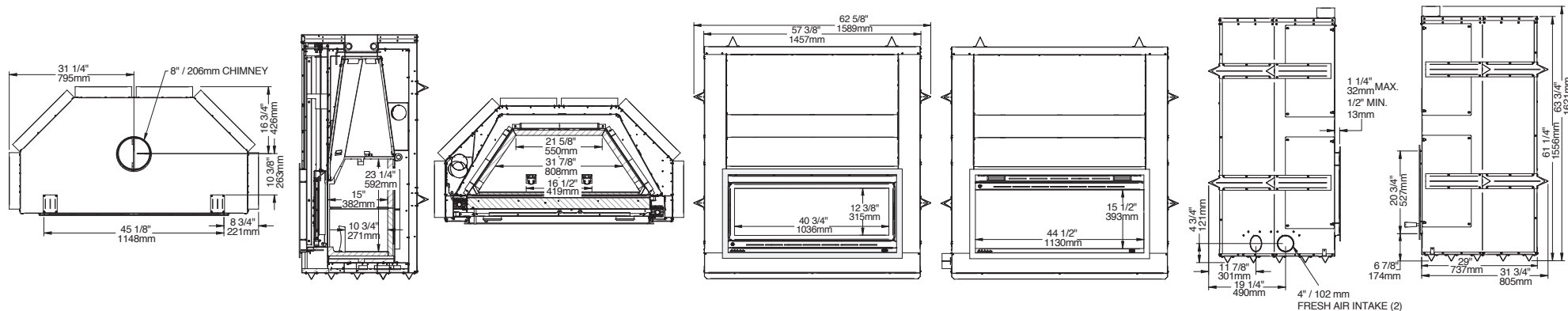
This amazing large decorative wood-burning fireplace will become the centerpiece of your home. Its perfect rectangle gives it a sleek, modern look and its elongated shape produces a warm enchanting effect in the room.

Decorative. This sleek, wide model showcases the beauty of the flames.

Convenient. Its guillotine glass door is easily lifted to provide ample room for loading wood.

Secure. The firescreen lets you enjoy the warmth in a natural setting while protecting from sparks.

FP16 - St-Laurent



Features

- Firebox volume of 6.4 cu. ft.
- Maximum log length 30"
- Guillotine ceramic glass door
- Steel frame door
- Requires an 8" chimney

Required components

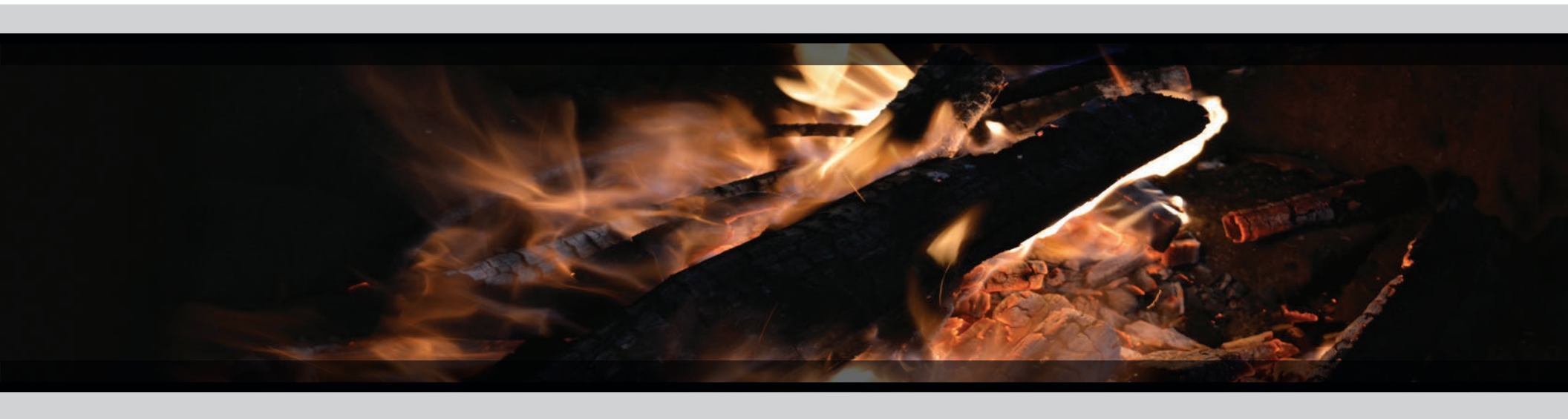
- Black straight masonry trim (gives a flush finish with brick or stone)
- Black straight narrow overlap (to overlap thin facing materials like tile)
- Contemporary moulded refractory brick panels

Option

- 4" fresh air intake register with airtight damper

Technical data contained in this catalogue are for reference only. Any installation must be done according to the data and drawings detailed in the owner's manual.

This appliance is
**EPA
exempt**





Prefabricated fireplaces

FOR PERFORMANCE

The main purpose of these fireplaces is eco-friendly heating with emissions below the limits imposed by EPA and the benefits of an efficient overnight burn. If needed, they can be used for ambiance with the doors open.



Performance fireplace with "Victoria" style faceplate and brushed nickel plated door overlay.



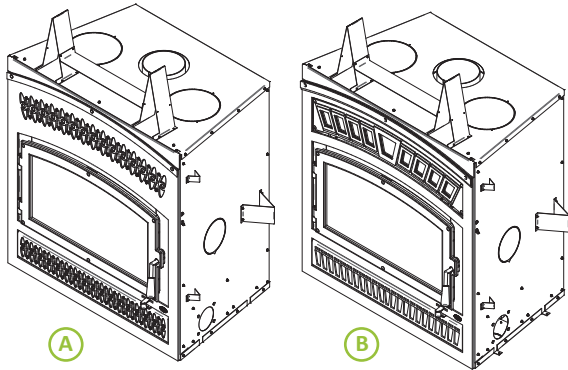
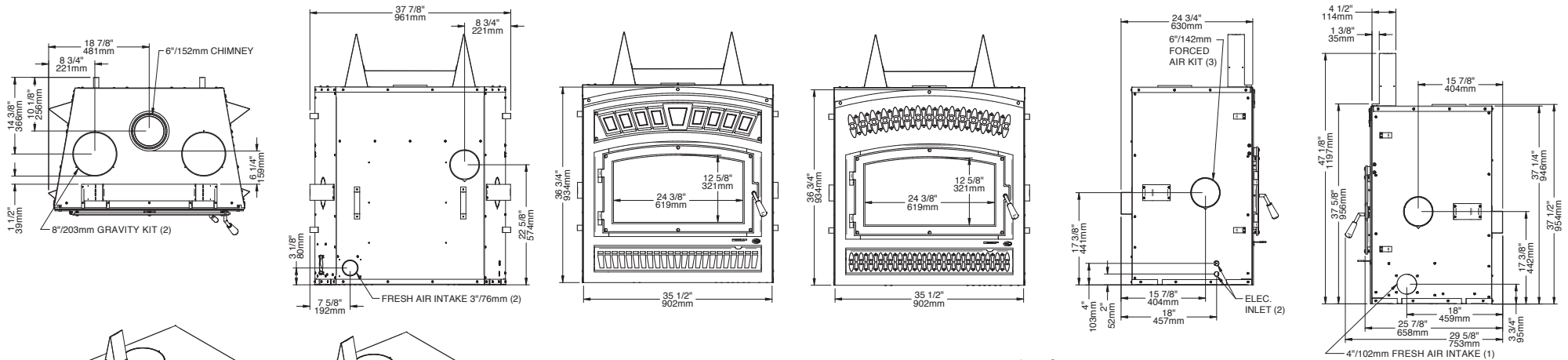
Performance fireplace with "Crown" style faceplate and black door overlay.



FP10-Lafayette
Performance fireplace with "Crown" style faceplate and brushed nickel plated door overlay.

Lafayette, the French officer and hero of the American Revolution, inspired us to create our newest high efficiency fireplace. As the great general, Valcourt used its tactical skills in developing the Lafayette fireplace so it provides home heating with superb efficiency and elegance. Further to offering a revolutionary look, Lafayette meets the highest EPA emissions requirements, making it the fireplace of choice for the new generation of consumers who want to use wood as a renewable and clean source of heat.

FP10 - Lafayette



Features

- Firebox volume of 2.5 cu. ft.
- Controlled combustion
- Thermal activation blower with variable speed control
- EPA Certified at 4.4 g/h
- Moulded refractory bricks
- Cast iron andiron
- Requires an 6" chimney*
- Fresh air intake adapter included

Required components

- Steel door overlay; painted black or brushed nickel plated
- "Victoria" style faceplate, painted black (A)
- "Crown" style faceplate, painted black or brushed nickel plated (B)

Options

- Rigid firescreen
- Hot air gravity distribution kit - modern with adjustable pipes
- Hot air gravity distribution kit - traditional style
- Forced air distribution kit
- 6" x 25' insulated flex pipe for forced air distribution kit

Technical data contained in this catalogue are for reference only. Any installation must be done according to the data and drawings detailed in the owner's manual.

*This high efficiency wood burning fireplace may also be installed with an 7" chimney. See owner's manual for more details.

EPA
≤ 4.5 g/h



Performance fireplace with traditional style hot air gravity distribution kit and optional metallic black finishing trim.



DUPLEX
Fireplace tool sets
See page 36

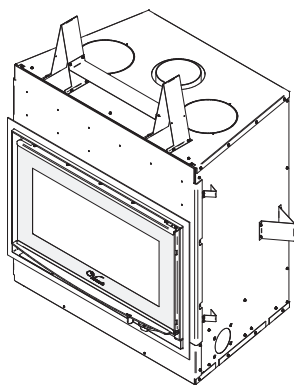
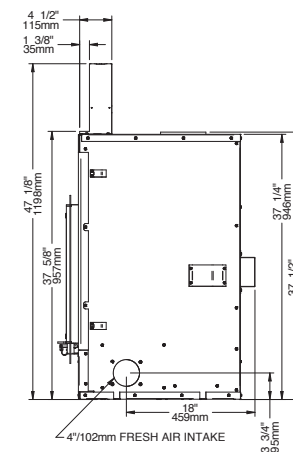
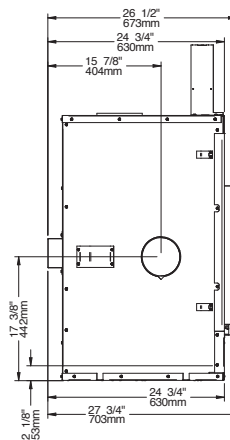
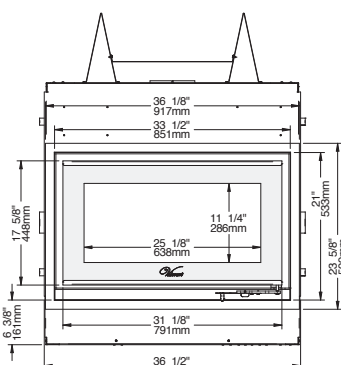
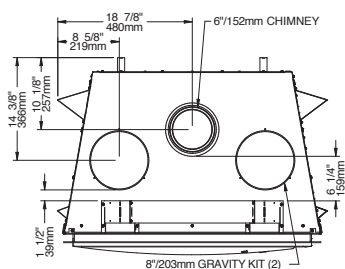
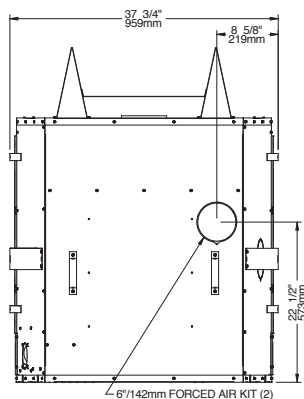


FP12 - Mundo
Performance fireplace with optional metallic black finishing trim and hot air gravity distribution kit - modern with adjustable pipes.

With its straight lines, simplistic shape and neutral color, the FP12-Mundo brings a gust of modernism into your home. It harmonizes both functionality and comfort perfectly. Moreover, with its extra large clean face glass, the Mundo offers a view on the fire that is unmatched in the industry.

This ecological fireplace is EPA certified with an emissions rate of 4.4 g/h and produces up to 75,000 BTU/h. The hot air gravity distribution kit (modern or traditional style), mandatory on the Mundo, will help you harness all the power from this incredible fireplace while keeping in mind the contemporary lines of your decor. The most serious of users will also want to install the forced air distribution kit which will allow for better and more efficient heat transfer to rooms further from the fireplace.

FP12 - Mundo



Features

- Firebox volume of 2.5 cu. ft.
- Extra large clean face glass
- Cast iron andiron
- Moulded refractory bricks
- Requires a 6" chimney
- Fresh air intake adapter included*

Required components

- Hot air gravity distribution kit - modern with adjustable pipes or
- Hot air gravity distribution kit - traditional style

Options

- Firescreen
- Metallic black finishing trim
- Forced air distribution kit (Heat activated. Only available on modern with adjustable pipes hot air gravity distribution kit).
- 6" x 25' insulated flex pipe for forced air distribution kit

Technical data contained in this catalogue are for reference only. Any installation must be done according to the data and drawings detailed in the owner's manual.

*The installation of a fresh air intake kit is mandatory on the FP12. The fresh air intake adapter is provided with the fireplace.





Performance fireplace with modern style faceplate and hot air gravity distribution kit – modern with adjustable pipes.

Performance fireplace with modern style faceplate and traditional style hot air gravity distribution kit.



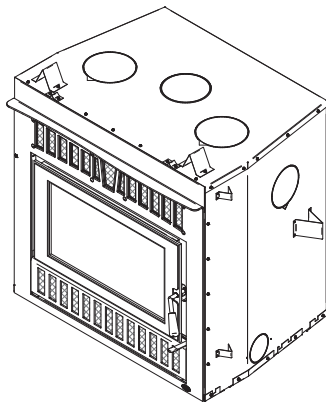
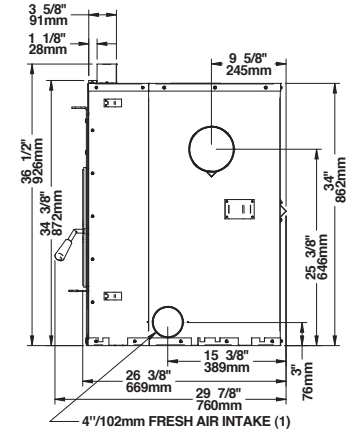
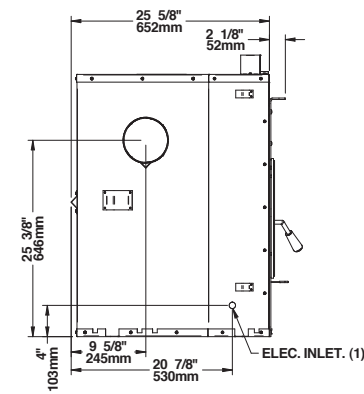
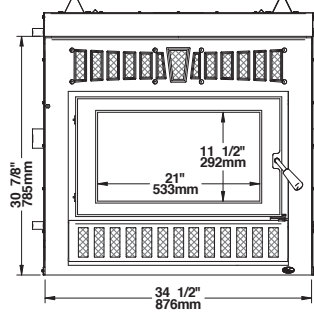
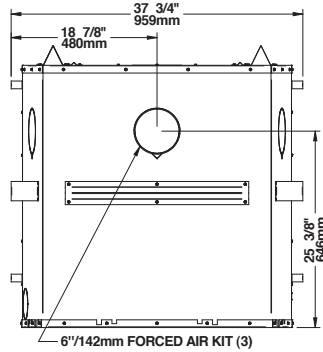
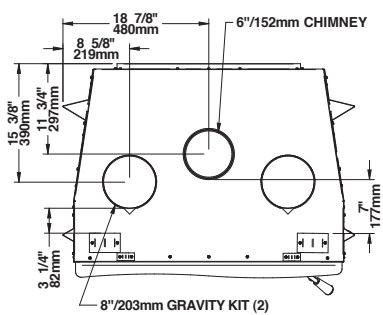
INEO
Fireplace tool sets
See page 36



FP14 - Cartier
Performance fireplace with
black door overlay and modern style faceplate.

The Cartier fireplace honours its namesake, Jacques Cartier, the famous European explorer. Once again, Valcourt explores new avenues of design and introduces a fireplace which gracefully blends a contemporary design with the functionality of a traditional fireplace. The Cartier has a clean, large steel door allowing a perfect view of the fire without compromising its efficiency. In addition, you can always customize your decor with the two available choices of overlays. Thanks to its optional blower and its heat-releasing louver strategically positioned above the glass, the Cartier is a perfect choice for an environmentally-sound, efficient, and stylish heating alternative.

FP14 - Cartier



Features

- Firebox volume of 2.3 cu. ft.
- Cast iron door
- Cast iron andiron
- Moulded refractory bricks
- Requires a 6" chimney
- Fresh air intake adapter included

Required components

- Door overlay; painted black or brushed nickel plated
- Black modern style faceplate with brushed nickel accent

Options

- Firescreen
- Thermal activation blower with variable speed control
- Hot air gravity distribution kit - modern with adjustable pipes
- Hot air gravity distribution kit - traditional style
- Forced air distribution kit
- 6" x 25' insulated flex pipe for forced air distribution kit
- Heat shield for surround/shelf*

Technical data contained in this catalogue are for reference only. Any installation must be done according to the data and drawings detailed in the owner's manual.

* The heat shield for surround/shelf AC01324 option is mandatory for the installation of a combustible shelf above the FP14 fireplace.



Montreal
APPROVED
<2.5 g/h

INEO
Fireplace
tool sets
See page 36

FP15 - Waterloo
Performance fireplace with
painted black "Crown" style faceplate.

FP15 - Waterloo

Imagine a gigantic high-efficiency fireplace

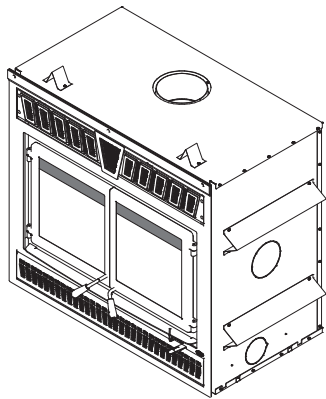
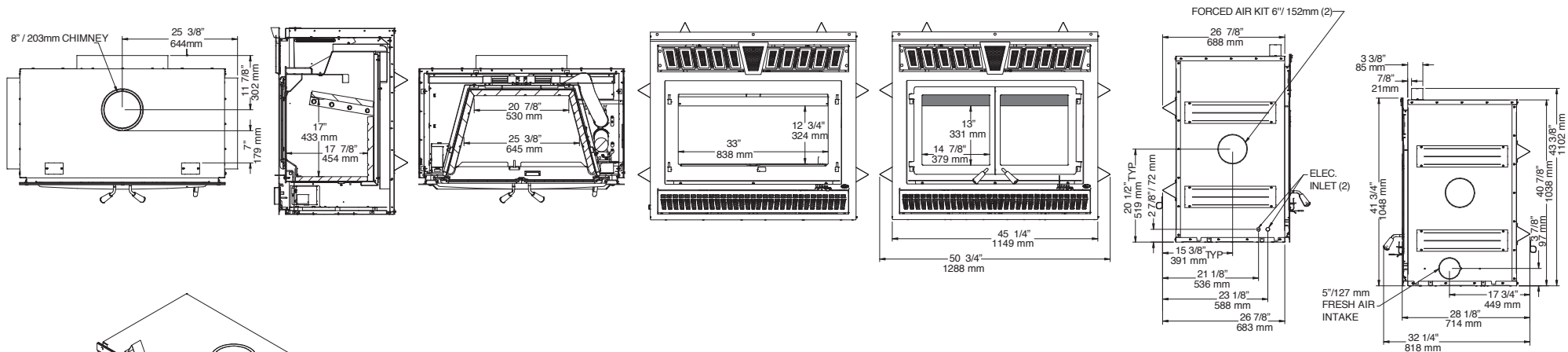
This fireplace is startling in size and is a logical and environmentally friendly option for any homeowner looking to combine style and high efficiency. With its ornamental façade, it will be the focal point of any room.

Large wood fireplace. Behind its large glass door, the 4.3 cubic foot combustion chamber can hold an impressive 60 lb of wood.

Low emissions. This energy efficient fireplace complies with the EPA's clean-air standards (only 1.6 g/h of emissions).

High efficiency. The FP15 fireplace is capable of heating large spaces and burns for 10 hours.

A hot start is always your best guarantee for a clean burn. The FP15 uses an automated combustion air intake system that allows the fire to reach an ideal temperature before going into slow burn mode. The result is very low emissions, without the need for a catalytic combustor.



Features

- Firebox volume of 4.28 cu. ft.
- Maximum log length 25"
- Thermal activation blower with variable speed control
- EPA certified at 1.6 g/h
- Fresh air intake adapter included
- Requires an 8" chimney

Required components

- Painted black "Crown" style faceplate
- Classic moulded refractory brick panels

Options

- Forced air distribution kit
- 6" x 25' insulated flex pipe for forced air distribution kit
- Warm air circulation grille - modern style

Technical data contained in this catalogue are for reference only. Any installation must be done according to the data and drawings detailed in the owner's manual.

Montreal
APPROVED
≤ 2.5 g/h

EPA
2020
Approved

EPA
≤ 2.5 g/h



Performance fireplace with "Mission" style arched faceplate.



Performance fireplace with "Classic" style arched faceplate.



Performance fireplace with "Arabesque" style arched faceplate.

**NON-COMBUSTIBLE
MANTEL.**
Fireplace accessories
See page 38

**INEO
Fireplace
tool sets**
See page 36

**Montreal
APPROVED**
<2.5 g/h

FP15A - Waterloo
Performance fireplace with "Urban" style arched faceplate.

Imagine a Gigantic High-Efficiency Fireplace

This fireplace is startling in size and is a logical and environmentally friendly option for any homeowner looking to combine style and high efficiency. Choose from four beautiful faceplate louvres to personalize your home.

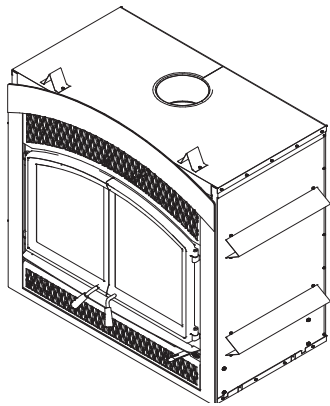
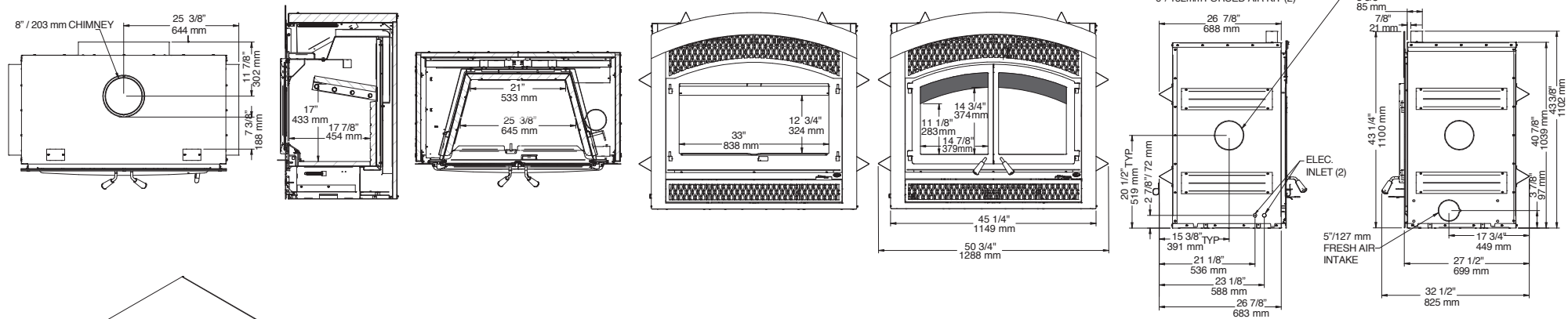
Large wood fireplace. Behind its large glass door, the 4.3 cubic foot combustion chamber can hold an impressive 60 lbs of wood.

Low emissions. This energy efficient fireplace complies with the EPA's clean-air standards with only 1.6 g/h of emission.

High efficiency. The FP15A fireplace is capable of heating large spaces and burns for 10 hours.

A hot start is always your best guarantee for a clean burn. The FP15A uses an automated combustion air intake system that allows the fire to reach an ideal temperature before going into slow burn mode. The result is very low emissions, without the need for a catalytic combustor.

FP15A - Waterloo



Features

- Firebox volume of 4.28 cu. ft.
- Maximum log length 25"
- Thermal activation blower with variable speed control
- EPA certified at 1.6 g/h
- Fresh air intake adapter included
- Requires an 8" chimney

Required components

- Choice of faceplate: one of the styles "Urban", "Mission", "Classic" or "Arabesque"
- Classic moulded refractory brick panels

Options

- Forced air distribution kit
- 6" x 25' insulated flex pipe for forced air distribution kit
- Warm air circulation grille - modern style

Technical data contained in this catalogue are for reference only. Any installation must be done according to the data and drawings detailed in the owner's manual.

Montreal
APPROVED
≤ 2.5 g/h

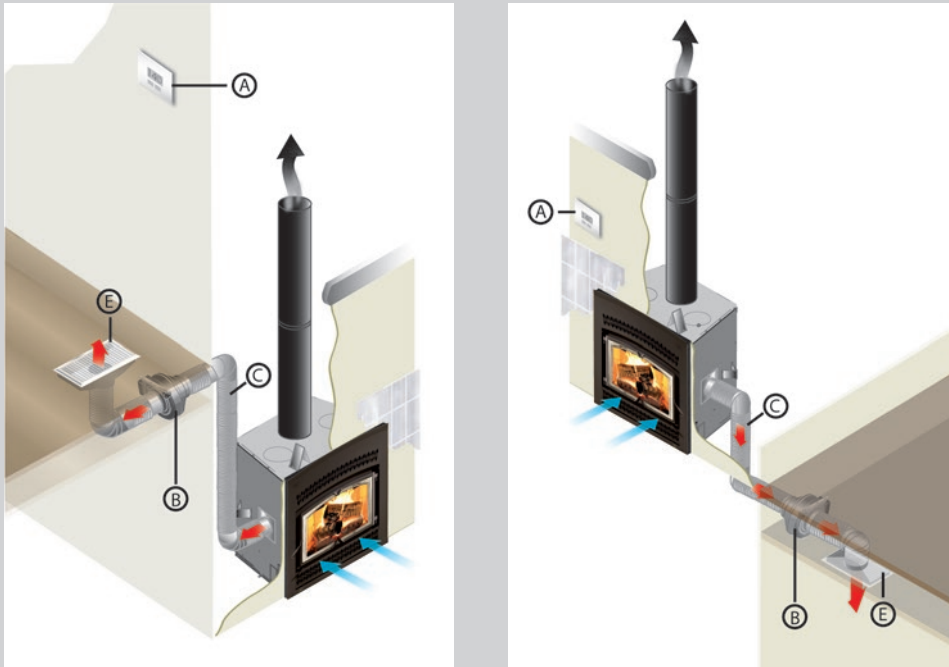
EPA
2020
Approved

EPA
≤ 2.5 g/h

Heat distribution systems

EPA certified wood fireplaces generate a lot of heat. For the most part, they generate too much for the room where they are located. Therefore, you need to manage the excess heat and send it where it is needed. To provide a solution, our research and development laboratory has designed the HEAT DISTRIBUTION SYSTEM, an innovative technology that allows the recovery of the heat produced during combustion and redirects it into distribution ducts to heat other areas in your home.

Forced air distribution kit

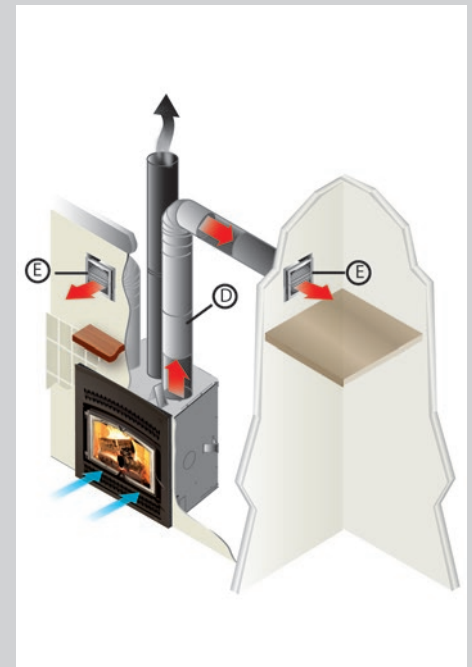


This system allows you to manage the heat distribution automatically. Using a wall thermostat, you can select the temperature you want to maintain in the room where the fireplace is located. Once the thermostat is satisfied, the excess heat is redirected to another room up to 50 feet (15 m) away from the fireplace using a 300 CFM blower. That way, you can enjoy a nice fire in your living room without the discomfort of excess heat generated by your Valcourt fireplace.

The system can also be used to supplement heat in a room remote from the fireplace. For this type of application, the thermostat needs to be positioned in the desired room and programmed with the temperature to be maintained. The system, now in "heat mode", will activate the blower as long as the temperature in the remote room is not achieved and that the fireplace has enough heat to distribute.

Hot air gravity distribution kit

Valcourt also offers you another way to distribute excess heat into your home with the help of a hot air gravity distribution kit.



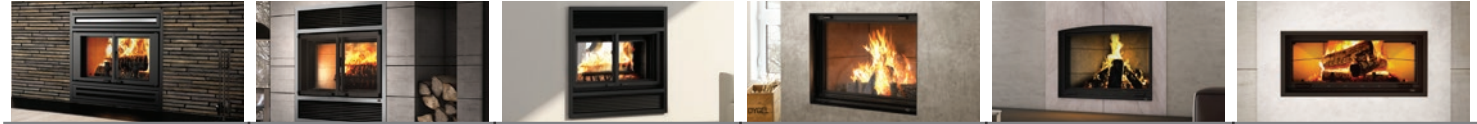
The Hot air gravity kit allows you to bring hot air into the same room as the fireplace, in adjacent rooms, or up-stairs at a maximum distance of 10' (3 m). The minimum height of the hot air duct must be 68" (1.7 m) measured from the base of the fireplace to the top of the hot air register.

Suggested installation: A) Wall thermostat B) 300 CFM blower C) Hot air flexible pipe D) Hot air rigid pipe E) Air register. The information contained in this page is for information purposes only.

For more details about the installation requirements of the kits and their content, please refer to the owner's manuals. For more installation options or more details on the **forced air distribution kit** or the **hot air gravity distribution kit**, visit www.valcourtinc.com/en/service-support/heat-distribution-system

Technical data contained in this catalogue are for reference only. Any installation must be done according to the data and drawings detailed in the owner's manual.

Technical data



	FP1LM	FP2	FP5	FP7LM	FP11	FP16
Color	Black	Black	Black	Black	Black	Black
Combustion technology	Non-catalytic	Non-catalytic	Non-catalytic	Non-catalytic	Non-catalytic	Non-catalytic
Maximum recommended area (with forced air kit)	N/A	N/A	N/A	N/A	N/A	N/A
Overall heat output rate (min. to max.)	N/A	N/A	N/A	N/A	N/A	N/A
Maximum heat output (dry cordwood)	N/A	N/A	N/A	N/A	N/A	N/A
Optimum efficiency	N/A	N/A	N/A	N/A	N/A	N/A
Door opening dimensions (W x H)	30" x 17 7/8"	28 1/4" x 14 1/2"	28 1/4" x 13 1/8"	33" x 22 3/4"	44 1/2" x 26 1/2"	44 1/2" x 15 1/2"
Firebox dimensions (W x D)	23 3/8" x 11 3/8"	18 3/4" x 10"	24 3/4" x 15 3/8"	24 1/4" x 11 1/2"	31 3/4" x 10 3/4"	31 7/8" x 10 3/4"
Firebox volume (excluding grate or andirons)	4.25 cu. ft.	3 cu. ft.	3.5 cu. ft.	5.3 cu. ft.	9.4 cu. ft.	6.4 cu. ft.
Glass viewing area (W x H)	29" x 17 1/4"	28 3/4" x 16 1/2"	28 3/4" x 16 1/2"	29 3/4" x 19 1/2"	40 3/4" x 23 7/8"	40 3/4" x 12 3/8"
Door type	Double retractable, with steel frame	Double, with steel frame	Double, with steel frame	Guillotine, with steel frame	Guillotine, with steel frame	Guillotine, with steel frame
Maximum log length	20"	16"	18"	18"	30"	30"
Log positioning	East / West	East / West	East / West	East / West	East / West	East / West
Flue spigot diameter	8"	7"	8"	8"	8"	8"
Minimum chimney height (from floor)	15'	15'	15'	15'	18'	15'
Glass type	Ceramic glass	Ceramic glass	Ceramic glass	Ceramic glass	Ceramic glass	Ceramic glass
Fresh air intake adapter (diameter)	Yes (4")	Yes (4")	Yes (4")	Yes (4")	Yes (4")	Yes (4")
Warranty	Limited lifetime	Limited lifetime	Limited lifetime	Limited lifetime	Limited lifetime	Limited lifetime
Test standard - Safety	ULC-S610 / UL127	ULC-S610 / UL127	ULC-S610 / UL127	ULC-S610 / UL127	ULC-S610 / UL127	ULC-S610 / UL127
Test standard - Emissions	ASTM 2515 / ASTM 2558	EPA Exempt	EPA Exempt	ASTM 2515 / ASTM 2558	ASTM 2515 / ASTM 2558	EPA Exempt
EPA voluntary program -Emissions (ASTM 2515 / ASTM 2558)	2.9 g/kg	N/A	N/A	4.0 g/kg	4.2 g/kg	N/A
Clearances to combustible materials						
Back wall	0"	0"	0"	0"	0"	0"
Sides	0"	0"	0"	0"	0"	0"
Floor	0"	0"	0"	0"	0"	0"
Combustible shelf (from the base of fireplace)	48"	46"	46"	46"	52"	48"
Side mantle ⁽¹⁾	0"	0"	0"	8"	8"	8 1/2"
Side wall ⁽²⁾	24"	24"	24"	8"	8"	24"
Non-combustible surround (top)	0"	0"	0"	27 1/4"	38"	64 3/4" **
Non-combustible surround (sides)	0"	0"	0"	5 3/8"	8"	8 3/4"
Exterior dimensions and weight						
Height	43 5/8"	40 5/8"	40 1/2"	64 1/8"	74 3/4"	63 3/4"
Width	41 1/8"	37 3/4"	36 1/8"	48 7/8"	59 1/2"	62 5/8"
Depth	27 3/8"	25 1/4"	30 5/8"	30 3/4"	34 1/2"	31 3/4"
Weight	236 kg (520 lb)	191 kg (421 lb)	232 kg (511 lb)	305 kg (673 lb)	417 kg (920 lb)*	347 kg (765 lb)
Narrow overlap; painted black	N/A	Optional	Optional	N/A	N/A	Optional
Narrow overlap; brushed nickel plated	N/A	Optional	Optional	N/A	N/A	N/A
Large overlap; painted black	N/A	Optional	Optional	N/A	N/A	Optional
Modern style door; standard or folding	N/A	Optional	Optional	N/A	N/A	N/A
Blower with variable speed	Standard	Standard	Optional	N/A	N/A	N/A
Hot air gravity distribution kit (diameter)	Optional (8")	Optional (7")	N/A	N/A	N/A	N/A
Forced air distribution kit (diameter)	Optional (6")	Optional (6")	N/A	N/A	N/A	N/A
Firescreen door	Standard	Standard	Standard	Standard	Standard	Standard
6" x 25' insulated flex pipe for forced air distribution kit	Optional	Optional	N/A	N/A	N/A	N/A

⁽¹⁾ Subject to a maximum protrusion - see owner's manual. ⁽²⁾ From door opening. *Without refractory bricks. **From the base of the fireplace.

Technical data contained in this catalogue are for reference only. Any installation must be done according to the data and drawings detailed in the owner's manual.

Technical data



	FP10	FP12	FP14	FP15	FP15A
Color	Black	Black	Black	Black	Black
Combustion technology	Non-catalytic	Non-catalytic	Non-catalytic	Non-catalytic	Non-catalytic
Maximum recommended area (with forced air kit) ⁽¹⁾	2,100 sq. ft.	2,100 sq. ft.	1,900 sq. ft.	2,800 sq. ft.	2,800 sq. ft.
Overall heat output rate (min. to max.)	11,500 BTU/h to 30,500 BTU/h	11,500 BTU/h to 30,500 BTU/h	10,600 BTU/h to 36,400 BTU/h	16,610 BTU/h to 43,021 BTU/h	16,610 BTU/h to 43,021 BTU/h
Maximum heat output (dry cordwood)	75,000 BTU/h	75,000 BTU/h	65,000 BTU/h	95,000 BTU/h	95,000 BTU/h
Approximate burn time ⁽¹⁾	9 hours	9 hours	7 hours	10 hours	10 hours
Emissions; weighted average according to EPA tests	4.4 g/h	4.4 g/h	4.0 g/h	1.6 g/h	1.6 g/h
Optimum efficiency	75%	75%	75%	69.7%	69.7%
Door opening dimensions (W x H)	25 1/2" x 10 3/4"	25 1/2" x 10 1/4"	21 7/8" x 10 5/8"	33" x 12 3/4"	33" x 12 3/4"
Firebox dimensions (W x D)	20 7/8" x 13"	20 1/4" x 12 7/8"	19 1/8" x 12 7/8"	25 3/8" x 17 7/8"	25 3/8" x 17 7/8"
Firebox volume (excluding grate or andirons)	2.5 cu. ft.	2.5 cu. ft.	2.3 cu. ft.	4.28 cu. ft.	4.28 cu. ft.
Glass viewing area (W x H)	24 3/8" x 12 5/8"	25 1/8" x 11 1/4"	21" x 11 1/2"	29 3/4" x 13"	29 3/4" x 14 3/4"
Door type	Single, with steel frame	Single, with steel frame	Single, with steel frame	Double, with cast iron frame	Double, with cast iron frame
Maximum log length	21"	21"	18"	25"	25"
Log positioning	East / West	East / West	East / West	East / West	East / West
Flue spigot diameter	6" *	6"	6"	8"	8"
Minimum chimney height (from floor)	15'	15'	15'	15'	15'
Glass type	Ceramic glass	Ceramic glass	Ceramic glass	Ceramic glass	Ceramic glass
Fresh air intake adapter (diameter)	Yes (3" or 4")	Yes (4")	Yes (4")	Yes (5")	Yes (5")
Warranty	Limited lifetime	Limited lifetime	Limited lifetime	Limited lifetime	Limited lifetime
Test standard - Safety	ULC-S610 / UL127	ULC-S610 / UL127	ULC-S610 / UL127	ULC-S610 / UL127	ULC-S610 / UL127
Test standard - Emissions	EPA Méthode 28	EPA Méthode 28	EPA Méthode 28	EPA / ASTM WK47329	EPA / ASTM WK47329
Clearances to combustible materials					
Back wall	0"	0"	0"	0"	0"
Sides	0"	0"	0"	0"	0"
Floor	0"	0"	0"	0"	0"
Combustible shelf (from the base of fireplace)	58"	48"	48" **	N/A	N/A
Side mantle ⁽²⁾	5 5/8"	5 5/8"	-	8"	8"
Side wall ⁽³⁾	24"	24"	16"	24"	24"
Non-combustible surround (top)	18"	Up to 80" ***	Up to 84" ***	Up to 84" ***	Up to 84" ***
Non-combustible surround (sides)	1 1/4"	0"	0"	3 1/16"	3 1/16"
Exterior dimensions and weight					
Height	47 1/8"	47 1/8"	36 1/2"	43 3/8"	43 3/8"
Width	37 7/8"	37 3/4"	37 3/4"	50 3/4"	50 3/4"
Depth	29 5/8"	27 3/4"	29 7/8"	32 1/4"	32 1/2"
Weight	184 kg (405 lb)	194 kg (427 lb)	192 kg (423 lb)	247 kg (545 lb)	247 kg (545 lb)
Steel door overlay(s); painted black or brushed nickel plated	Optional	N/A	Optional	N/A	N/A
Blower with variable speed	Standard	N/A	Optional	Standard	Standard
Hot air gravity distribution kit (diameter)	Optional (8")	Mandatory (8")	Optional (7")	N/A	N/A
Forced air distribution kit (diameter)	Optional (6")	Optional (6")	Optional (6")	Optional (6")	Optional (6")
Hot air circulation grille – modern style	N/A	N/A	N/A	Optional	Optional
Firescreen kit	Optional	Optional	Optional	N/A	N/A
6" x 25' insulated flex pipe for forced air distribution kit	Optional	Optional	Optional	Optional	Optional

⁽¹⁾ Approximate burn time and maximum recommended area may vary subject to location in home, chimney draft, chimney diameter, locality, heat loss factors, climate, fuels and other variables. ⁽²⁾ Subject to a maximum protrusion - see owner's manual. ⁽³⁾ From door opening. *May also be installed with a 7" chimney. See owner's manual for more details. **With the use of a heat shield for surround/shelf. See owner's manual for more details. ***From the base of fireplace.

Technical data contained in this catalogue are for reference only. Any installation must be done according to the data and drawings detailed in the owner's manual.

Manufacturers, brands and types of approved chimneys



MANUFACTURERS*	BRANDS	TYPE	FP1LM	FP2	FP5	FP7CB	FP10	FP11	FP12	FP14	FP15	FP15A	FP16
Olympia Chimney / SBI Venting Division	Ventis	1" Solid Pack	x	x	x	x	x	x	x	x	x	x	x
SBI Venting Division	Nexvent	1" Solid Pack	x	x	x	x	x	x	x	x	x	x	x
American Metal	HSS	AC Triple Wall	x	x	x	x	x	x	x	x	x	x	x
American Metal	HS	AC Triple Wall	x	x	x	x	x	x	x	x	x	x	x
ICC	Excel 2100	1" Solid Pack	x	x	x	x	x	x	x	x			
DuraVent	DuraTech	1" Solid Pack	x	x	x	x	x	x	x	x			
DuraVent	DuraTech Canada (DTC)	1" Solid Pack	x	x	x	x	x	x	x	x			
DuraVent	DuraPlus HTC	2" Solid Pack	x	x	x	x	x	x	x	x	x	x	x
DuraVent	DuraPlus	AC Triple Wall	x	x	x	x	x	x	x	x	x	x	x
DuraVent	DuraTech Premium	2" Solid Pack	x	x	x	x	x	x	x	x	x	x	x
Metal Fab	Temp Guard	1" Solid Pack	x	x	x	x	x	x	x	x			
Security Chimney	ASHT+	1" Solid Pack	x	x	x	x	x	x	x	x			
Security Chimney	S-2100 +	2" Solid Pack	x	x	x	x	x	x	x	x	x	x	x
Selkirk	UltimateOne	1" Solid Pack		x	x	x	x	x					
Selkirk	Ultra-Temp (UT)	1" Solid Pack		x	x	x	x	x					
Selkirk	Super Pro (SPR)	1" Solid Pack		x	x	x	x	x					
Selkirk	Super Vent (JSC)	1" Solid Pack		x	x	x	x	x					
Selkirk	Hart & Cooley (TLC)	1" Solid Pack		x	x	x	x	x					
Selkirk	Sure-Temp (ST)	1" Solid Pack		x	x	x	x	x					
Selkirk	Super Vent 2100 (JM)	2" Solid Pack	x	x	x	x	x	x	x	x	x	x	x
Selkirk	CF Sentinel (CF)	2" Solid Pack	x	x	x	x	x	x	x	x	x	x	x
Selkirk	Super Pro 2100 (ALT)	2" Solid Pack	x	x	x	x	x	x	x	x	x	x	x

*Specific components may be required depending on the chimney manufacturer.

Technical data contained in this catalogue are for reference only. Any installation must be done according to the data and drawings detailed in the owner's manual.

Fireplace accessories

Valcourt offers a range of distinct and exceptional quality fireplace tool sets, to feed and maintain your fire.



Fireplace tool set



AC02620

DUPLEX

Contains four instruments: poker, broom, shovel and clamp. The clean lines and combination of steel and wood construction make a strong contemporary design statement.

Height of accessories:
19 1/2" (50 cm)

Made in France.



AC02621

INEO

Contains four instruments: poker, broom, shovel and clamp. The clean lines and simplicity make a strong contemporary design statement.

Height of accessories:
19 1/2" (50 cm)

Made in France.



AC02622

PAPYRUS

Contains four instruments: poker, broom, shovel and clamp. The dramatic use of steel makes a strong contemporary design statement.

Height of accessories:
19 1/2" (50 cm)
Dimensions of base:
7 1/2" (19 cm)

Made in France.



AC02350

EQUISS

Made of high quality steel. Its integrated handles make handling easier. Two identical parts that intersect easily. Assembly and disassembly in seconds for compact storage.

Height: 15 1/4" (38 cm)
Length: 24 1/4" (61 cm)
Depth: 13" (33 cm)
Weight: 28 1/2 lb (13 kg)

Made in Canada.



AC02628

NORDIK

New

Contains four accessories: poker, broom, shovel and tongs. Its wooden base and steel structure gives it an industrial look, perfect for contemporary or rustic spaces.

Support height:
21 7/8" (53 cm)
Dimensions of base:
9 1/2" (24 cm) x 4 3/4" (12 cm)

Made in France.



AC02629

PETALE

New

Contains four accessories: poker, broom, shovel and tongs. A nice option for those who want to camouflage tools for a more decorative look.

Height:
20" (51 cm)
Diameter:
7 1/2" (19 cm)

Made in France.



AC02630

FOREST

New

Contains four accessories: poker, broom, shovel and tongs. A beautiful addition to your rustic decor, both for the cottage and at home, thanks to its forest relief.

Height:
20" (51 cm)
Diameter:
7 1/2" (19 cm)

Made in France.



AC02631

SPEKTRA

New

Contains four accessories: poker, broom, shovel and tongs. You will appreciate its futuristic look for a unique atmosphere.

Height:
20" (51 cm)
Diameter:
7 1/2" (19 cm)

Made in France.

Options



AC02780 (60") AC02781 (72") WASHED CEDAR
 AC02782 (60") AC02783 (72") TAVERN BROWN

AC02703 (54" x 46 3/4") AC02704 (44" x 36")
 AC02760 (50" x 18") AC02761 (70" x 20")

AC02351

48" WOOD STORAGE

New

A versatile good-looking piece of furniture. Finishing trim included.

Height: 16"
 Width: 48"
 Depth: 18"

*Optional storage drawer.
 Shovel and poker are included. (AC02353)

NON-COMBUSTIBLE MANTELS

New

Incredibly realistic wood-like detailing.
 Two shades: washed cedar and tavern brown.
 Two lengths: 60" and 72"
 Height: 8"
 Depth: 8"

GLASS HEARTH PAD

This light-colored tempered glass hearth pad is particularly resistant to shocks. This glass plate is a safe and durable choice for your fireplace and will add elegance to your decor. Its manufacture is precise and neat: polished edges and non-cutting corners.

Four sizes: 50" x 18", 70" x 20", 44" x 36" and 54" x 46 3/4"
 Thickness: 10 mm

Warranty



Valcourt Limited Lifetime Warranty on Robax Ceramic Glass

The VALCOURT-SCHOTT ROBAX system is one of the highest quality glass and heater product combination on the market. This allows VALCOURT to offer a Limited Lifetime Warranty on Robax ceramic glass for all VALCOURT appliances.

Conducted consumer studies identify that people want an unobstructed view of the fire, but without compromising safety. The glass "shield" is seen as the needed protection from the fire's unpredictable aspects. VALCOURT chose the SCHOTT ROBAX solution delivering all of the benefits that a consumer wants out of a fire but without the risks associated to it.

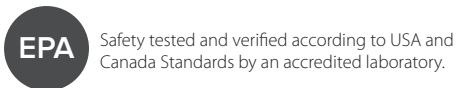
Because the way the entire system works together (SCHOTT ROBAX ceramic glass and VALCOURT technology), it is the most efficient glass solution available in the market given its high IR transmission values and its high temperature resistance. A high IR transmission means that the heat produced inside the fire box is transferred through the glass more efficiently. The VALCOURT-SCHOTT ROBAX ceramic glass can withstand the highest temperatures of any glass on the market.

For more details go to: www.valcourtinc.com



DESCRIPTION	PARTS
•Welds of combustion chamber	LIFETIME
•Ceramic glass	LIFETIME
•Burn tubes	LIFETIME
•Plating	LIFETIME

Limited Lifetime





Valcourt
The Fireplace of Your Dreams
www.valcourtinc.com

