

Alpha

DIRECT VENT
GAS FIREPLACE

*ALP-36-L shown with arched
finishing frame, arched
mission screen front,
traditional brick refractory,
and circle design andirons*



Alpha Specifications

ALP-36-G shown with brushed stainless media tray



Model	Fuel Options	High	Low	Max. Efficiency
Alpha 36 L	NG	48,000	32,500	74.36%
	LP	46,500	37,000	76.38%
Alpha 36 G	NG	48,000	32,500	74.36%
	LP	42,000	33,000	76.38%

The Alpha 36 is ordered as either the log set model (#ALP-36-L) or glass media model (#ALP-36-G). Both contain an IPI modulating valve system with full-function remote control, light kit and fan kit.

Features

- Canada P-4 Approved
- Electronic ignition (IPI)
- Log set (#ALP-36-L) or glass media kit - black (#ALP-36-G)
- High quality, lifetime glass (37" X 32")
- Enamel firebox lining - black (#ALP-36-G only)
- Enamel exterior panel set - black - 3 pc. (#ALP-36-G only)
- Black glass media
- Light kit (top)
- Fan kit (2)-75 CFM blowers
- Remote control - full function
- High-low regulator
- Engineer-designed burner system
- Minnesota Energy Code Compliant to 50 pascals

Required for Installation*

#ALP-36-L (log set model) ONLY

- Refractory panel set (standard or herringbone pattern)
- Enamel firebox lining w/ exterior set - black

Safety

- Each unit factory tested!
- Tested by OMNI-Test Laboratories
Complies with ANSI-Z21.88-2009 • CSA 2.33-2009
'Vented Gas Fireplace Heaters'
- U.S. & Canadian installation approved
- Sealed combustion chamber
- 30-second safety pilot
- Automatic pressure relief system
- Battery back-up
- Bedroom & mobile home approved

Vent System Approval & Requirements

This fireplace is manufactured to accept 5" x 8" pipe only.

- Simpson Dura-Vent™ DV-PRO Pipe - 5" x 8"
- Selkirk Metalbestos™ Direct Chimney System - 5" x 8"
- Ameri-Vent/American Metal™ Direct Chimney System - 5" x 8"
- Metal Fab™ 5" x 8"
- Security™ 5" x 8"
- ICC™ 5" x 8"
- Kozy Heat™ Flexible #800 series Vent Kits* - 5" x 8"
- BDM™ Direct Vent Chimney System - 5" x 8"
- RLH™ Direct Vent Chimney System (vertical only) - 5" x 8"

IMPORTANT: Kozy Heat part #800-WPT or #800-WPT2, must be used on ALL Horizontal vent runs. The included Horizontal Vent Heat Shield must be installed when incorporating minimum horizontal venting. This applies to NG and LP minimum horizontal venting configurations.

Elbows: For each additional 90° elbow used after the first elbow, 3' must be subtracted from the maximum venting allowed. For each additional 45° elbow used after the first elbow, 1½' must be subtracted from the maximum venting allowed.

Note: (2) 45° elbows = (1) 90° elbow.

Horizontal Terminations

Horizontal Venting Configurations differ between the #ALP-36-L & #ALP-36-G. Please consult their installation manuals for guidance.

Horizontal Terminations

Minimum: 18" min vertical rise + 90° elbow + 9" minimum +vent cap
Maximum: 18" min vertical rise + 90° elbow + 20' maximum +vent cap

Vertical Terminations

Minimum: 4' + vent cap
Maximum: 50' + vent cap

Horizontal / Vertical Combo:

Please consult the venting chart in the installation manual.

Specifications

Height	41 11/16"
Width	46 1/2"
Back width	41 11/16"
Depth	23 3/8"
Weight	350 lbs.
Opening Width	38"
Glass Frame Height	32"
Top Stand-off Height	5 5/16"
Back to Vent Center	9 3/8"

Clearances

Top of unit face to framing	5-5/16"
From unit left & right side stand-offs	0"
From unit back stand-offs	0"
From bottom stand-offs	0"
Top of unit face to ceiling	30-5/16"
Side of finishing edge to adjacent sidewall	6"
Unit front to combustibles	36"
Mantel 9" (229mm) deep from floor fireplace is sitting on	47"

ALP-36-L shown with decor design screen front, herringbone refractory and diamond design andirons



The Alpha...

The *Alpha* direct-vent fireplace is available in both a clean-face traditional looking fireplace and a contemporary version. Removing the conventional framed face offers an unobstructed view of the fire that provides the most realistic classic woodburning look available, and the benefit of enhanced radiant heat and efficiency. A standard full-function remote, electronic ignition, fan kit, and accent lighting provides all the comforts of modern technology, and the contemporary version of the *Alpha* gives you the freedom of modern design choices. Either way, the *Alpha* is available in an arched or rectangular opening and has multiple design options to customize your fireplace.

Fireplace Options & Accessories



Flame, lights & fan controlled by the full function remote

Optional Features	L	G
Andirons - 2 pc. (circle or diamond designs)	X	
Screen Fronts	X	X
Pull Screen	X	X
Driftwood/Rock Media Accent Kit (Sticks & Stones)		X
Glass Media Kits (several colors available)		X
Heat Duct Kit	X	X
Finishing Frame - Arched	X	X
Media Tray Overlay - Brushed Stainless		X

Glass Media



Black (comes standard)



Cobalt Blue



H2O



Copper



White Frost

Refractory Options



Herringbone



Traditional brick



Black enamel



Andirons

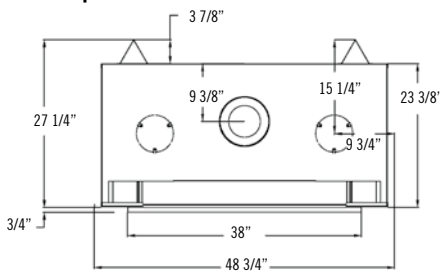


Circle

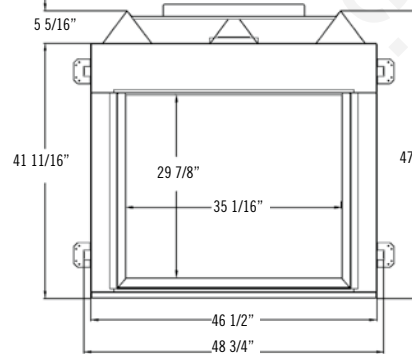


Diamond

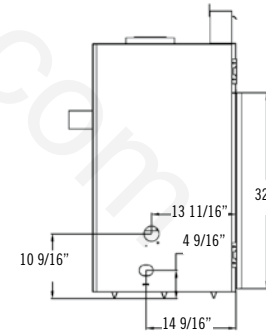
Top



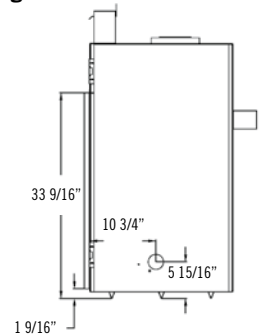
Front



Left



Right



Kozy Heat Product Line



Woodburning Fireplaces



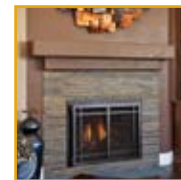
Classic DV Gas Fireplaces



Traditional DV Gas Fireplaces



Contemporary Gas Fireplaces



Gas Inserts



Free-Standing Gas Stove



Handcrafted Cabinetry

In order to continually provide the highest quality product available, features/options, specifications & dimensions are subject to change. Refer to the unit installation manual for complete installation instructions. Installation must conform with local building codes. **In some regions it may be possible that this appliance qualifies for an energy rebate. See your local dealer for details regarding promotions and qualifications.**

Manufactured by Hussong Mfg. Co. Inc.
204 Industrial Park Drive, Lakefield, MN 56150
Phone 1-800-253-4904 www.kozyheat.com

8-13



For complete information on the Kozy Heat product line, please contact us at: