

QUALITY FIREPLACES FOR LIFE.

KOZY HEAT FIREPLACES | BIRCHWOOD 20 & OAKPORT 18



**KOZY HEAT**  
FIREPLACES

Birchwood 20 shown with a Prairie screen front, Masonry refractory and a Pedestal base.

# BIRCHWOOD 20 & OAKPORT 18

FREE-STANDING GAS STOVES



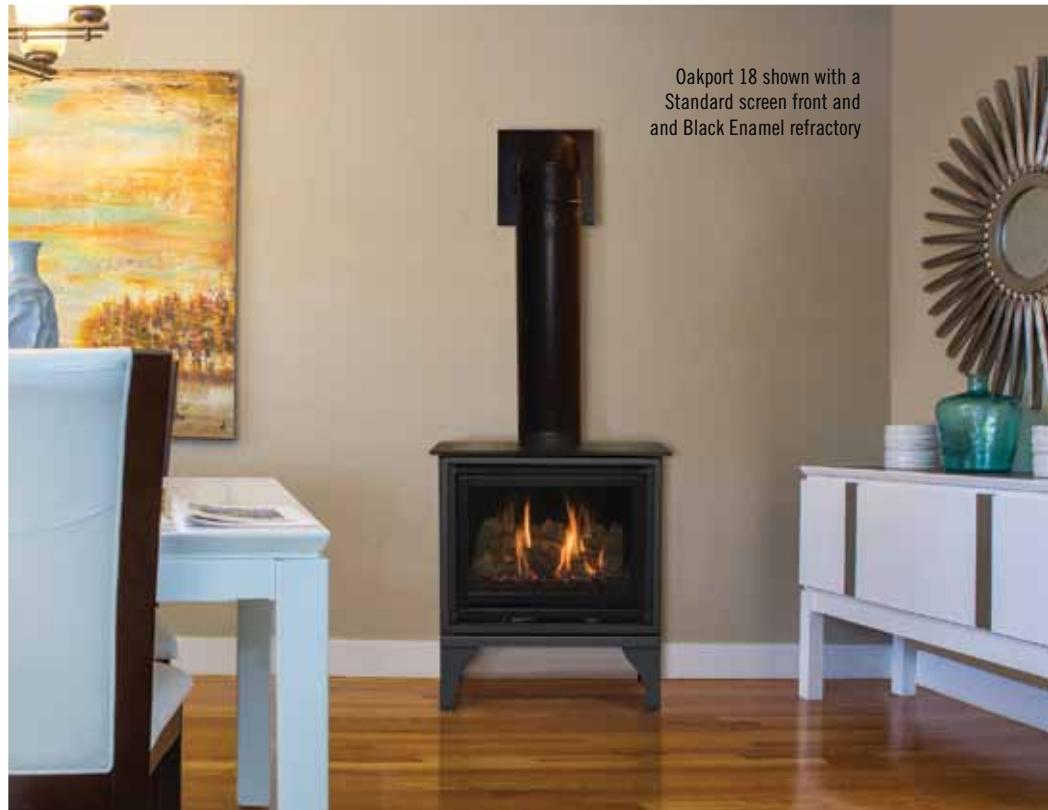
Birchwood 20 shown with a Rectangle screen front, black Enamel refractory, optional Contemporary base and optional tile frame kit (tile not included)



Birchwood 20 shown with an Arched Mission screen front, Traditional Brick refractory, and standard Traditional Legs.



Oakport 18 shown with an optional Prairie Design Overlay and Black Enamel refractory



Oakport 18 shown with a Standard screen front and Black Enamel refractory



# FIREPLACE OPTIONS, ACCESSORIES & CONTROLS

## Fronts

### Birchwood 20

25-3/4"



21-1/16"

Full Rectangle screen front with Traditional Brick refractory

25-3/4"



21-1/16"

Prairie screen front with Black Enamel refractory

25-3/4"



21-1/16"

Arched Mission screen front - Black with Masonry refractory

## Base Options



Traditional Legs (Standard)



Pedestal Base (Birchwood Only)



Contemporary Base (Birchwood Only)

## Oakport 18

22"



17-7/8"

Standard screen front

22-1/4"



18-1/16"

Prairie Design Overlay with Black Enamel refractory

22-1/4"



18-1/16"

Arched Prairie Design Overlay with Black Enamel refractory

## Optional Refractory



Traditional Brick (Birchwood Only)



Masonry (Birchwood Only)



Black Enamel

## Finish



Black

## IPI Control

(Birchwood 20-L Only)



Komfort Kontrol Remote



## Millivolt Option Controls

(Excludes Birchwood 20 - L)



Touch Screen Thermostat Remote Control



Deluxe On/Off Remote



Wired or Wireless Wall Mount Thermostat



Wireless wall switch

## Burn Video



Birchwood 20



Oakport 18

## Vent System Approval & Requirements

This fireplace is manufactured to accept 4" x 6-5/8" pipe only.

- American Metal Products 4" x 6-5/8"
- BDM 4" x 6-5/8" (Except Cap 940264 on Oakport 18 only)
- ICC – EXCELDirect 4" x 6-5/8" – (Except CAP TM-4VT on Birchwood 20 only)
- Metal Fab 4" x 6-5/8"
- Olympia Chimney Supply, Inc. 4" x 6-5/8"
- Security 4" x 6-5/8" - Vertical only
- Selkirk 4" x 6-5/8"
- Simpson DuraVent 4" x 6-5/8" DV-GS (Except CAP 46DVASNK14 on Oakport 18 only)

The horizontal heat shield included with this fireplace must be installed when incorporating minimum horizontal venting

**Elbows:** Venting configurations vary between NG & LP Gas, please consult the installation manual for requirements.

*Note: (2) 45° elbows = (1) 90° elbow*

Maximum number of elbows for ALL vent configurations = 5

**Horizontal Terminations:** Venting configurations vary between NG & LP Gas, please consult the installation manual for requirements.

**Vertical Terminations:** Minimum: 3' Maximum: 50'

**Horizontal/Vertical Combo:** Venting configurations vary between NG & LP Gas, please consult the installation manual for requirements.

# SPECIFICATIONS

Model	Birchwood 20	Oakport 18
<b>Height</b>		
Traditional Legs	30-3/4"	26-3/4"
Pedestal & Contemporary Base	35-15/16"	N/A
<b>Width</b>		
Traditional Legs	25-15/16"	22-7/16"
Pedestal & Contemporary Base	27-3/4"	N/A
<b>Depth</b>	17-13/16"	16-5/16"
<b>Weight</b>	155 lbs.	114 lbs.
<b>Viewing Area</b>	14-1/8" x 20-1/16"	11-1/8" x 16-9/16"
<b>BTU NG High / Low</b>	32,500 / 15,750	24,500 / 15,500
<b>BTU LP High / Low</b>	32,500 / 15,750	24,500 / 19,000
<b>Efficiencies NG / LP</b>	69.44% / 65.16%	75% / 77%
<b>ENERGUIDE P.4 NG / LP</b>	65.83% / 66.04%	73.76% / 76.49%
<b>Valve System</b>	Millivolt & IPI	Millivolt & IPI
<b>Standard Base</b>	Traditional Legs	Traditional Legs
<b>Optional Bases</b>	Pedestal & Contemporary	N/A
<b>Optional Refractory</b>	Traditional Brick, Masonry, Black Enamel	Black Enamel
<b>Tile Frame Kit</b>	Optional	N/A
<b>Fan Kit</b>	IPI - Standard MV - Optional	Optional
<b>Screen Front</b>	Required	Included

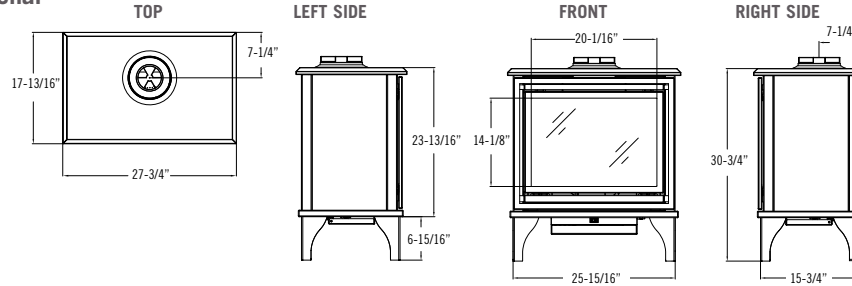
Features, Options & Specifications are subject to change.

## Clearances

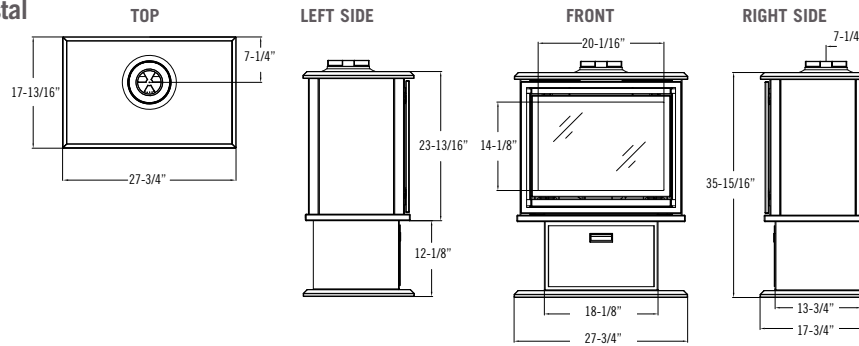
Model	Birchwood 20	Oakport 18
From appliance top corners to side wall	1"	1"
From appliance top to back wall	5"	5"
From appliance top to ceiling	35-3/4"	37-1/4"
From top of horizontal pipe surface to ceiling	3-1/8"	3-1/8"

## Birchwood 20

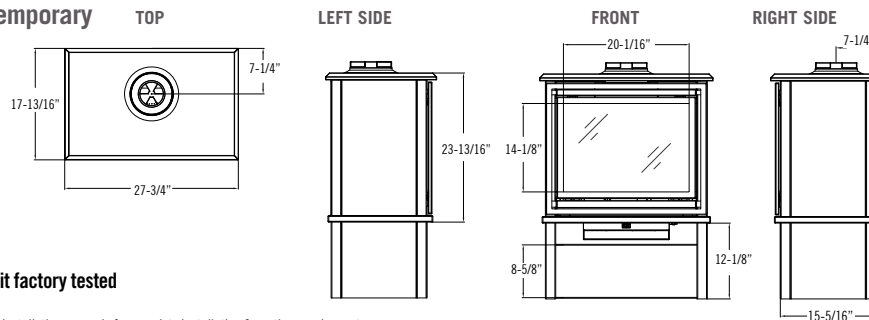
### Traditional Legs



### Pedestal



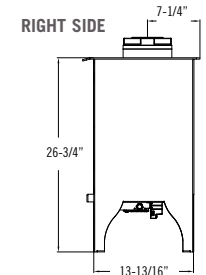
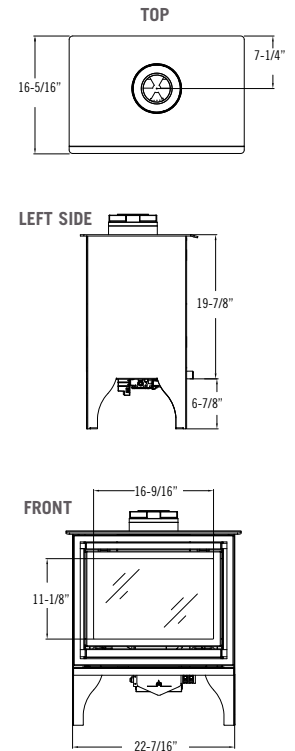
### Contemporary



### Each unit factory tested

Refer to the installation manuals for complete installation & venting requirements. See additional mantel clearance configurations in the installation manual.

## Oakport 18



In order to continually provide the highest quality product available, features/options, specifications & dimensions are subject to change. Refer to the unit installation manual for complete installation instructions. Installation must conform with local building codes. **In some regions it may be possible that this appliance qualifies for an energy rebate. See your local dealer for details regarding promotions and qualifications.**

Product Line:



For complete information on the Kozy Heat product line, please contact us at:

Manufactured by Hussong Mfg. Co., Inc.  
204 Industrial Park Drive, Lakefield, MN 56150  
Phone 1-800-253-4904 www.kozyheat.com

9-16

