

QUALITY FIREPLACES FOR LIFE.

KOZY HEAT FIREPLACES | BAYPORT 41 & BAYPORT 36

KOZY HEAT
FIREPLACES



Bayport 41 Log shown with a Rectangle screen front with an Antique Copper overlay, Masonry refractory and an ember light kit

BAYPORT 41 & BAYPORT 36

DIRECT VENT GAS FIREPLACES

Bayport 41 Log shown with a Prairie screen front and Brick refractory





Bayport 41 Glass shown with a Rectangle Full screen front with a Brushed Nickel overlay, Glacier Crystal glass, Black Enamel refractory and Beach Accent Light kit

Bayport 41 Log shown with an Arched Mission screen front in Weathered Charcoal and Brick refractory

THE BAYPORT 41

The **Bayport** offers a large and impressive viewing area with our most realistic logs and burner system yet. The **Bayport 41** comes in both the Glass and Log version, and the **Bayport 36** comes in three versions, the Log and Glass versions and a millivolt version! With this many options, the **Bayport** provides you the maximum comfort and efficiency available in a gas fireplace. With porcelain reflective panels (standard with the **Bayport 41 Glass** and **Bayport 36 Glass**) create a spectacular view, and combined with a hand-crafted front, make the **Bayport** a perfect choice for a traditional or contemporary design in your home.



Bayport 36 Log shown with a Rectangle screen from in Brushed Stainless, optional Masonry refractory and an ember light kit





Bayport 36 Log shown with an Arch Full Prairie Door screen front, Brick refractory and an ember light kit



Ember Light Kit



Bayport 36 Glass shown with a Rectangle Full screen front, H2O glass, Black Enamel refractory and a Driftwood/Rock media kit

FIREPLACE OPTIONS

Fronts

Sizes shown below: Bayport 41 / Bayport 36

37-1/2" / 32-1/2"



32-1/4" / 29-3/4"

Rectangle screen front with optional Enamel refractory

41-3/8" / 36-3/8"



34-3/4" / 32-1/4"

Rectangle Full screen front optional Beach Accessory Kit Enamel refractory

41-3/8" / 36-3/8"



34-3/4" / 32-1/4"

Rectangle Full Brushed Stainless screen front optional Masonry refractory

41-3/8" / 36-3/8"



34-3/4" / 32-1/4"

Rectangle Full screen front with Brushed Nickel Overlay Brick refractory

41-3/8" / 36-3/8"



34-3/4" / 32-1/4"

Rectangle Full screen front with Antique Copper Overlay and Glacier Crystals Enamel refractory

41-3/8" / 36-3/8"



34-3/4" / 32-1/4"

Prairie screen front optional Masonry refractory

41-3/8" / 36-3/8"



35-13/16" / 33-5/16"

34-3/4" / 32-1/4"

Arched Full Prairie Door screen front optional Masonry refractory

41-3/8" / 36-3/8"



34-3/4" / 32-1/4"

Arched Mission screen front Weathered Charcoal and Copper Beads Enamel refractory

41-3/8" / 36-3/8"



34-3/4" / 32-1/4"

Mission screen front Vintage Bronze and H2O Beads Enamel refractory

Refractory



Traditional brick



Masonry



Black enamel

Finish Options



Black



Brushed Stainless



Antique Copper



Brushed Nickel

Decorative Finishes



Titanium
Prairie fronts only



Rust
Prairie fronts only



Vintage Bronze
Mission fronts only








Weathered Charcoal
Mission fronts only



KOMFORT KONTROL

The Komfort Kontrol remote gives you the ability to bring comfort and green technology all together into your home. With the Komfort Kontrol remote, all you have to do is decide a comfortable set point temperature on your remote and when the room temperature gets closer to the point you desire, the Komfort Kontrol remote will turn the flames down accordingly! And with our zone heating, you can save energy and enjoy time in the room you use the most by just turning down the central heat, setting your Komfort Kontrol remote, and enjoy your time around the fireplace with friends, family, or just a good book! That way you'll get to have heat where and when you need it while saving energy and money with just a click of the Komfort Kontrol remote!

Remote control features:

-  Thermostat function
-  Flame height modulation
-  Fan speed modulation
-  Light kit modulation
-  IPI to continuous pilot

Burn Videos



Bayport 41 Log



Bayport 41 Glass with Beach Accent Kit



Bayport 36 Enamel Log



Bayport 36 Masonry Log



Bayport 36 Brick Log



Bayport 36 Glass

Glass Media

Beads



Black



Cobalt Blue



H2O



Copper



White Frost

Crystals

Bayport 41 Glass only



Glacier



Amber

Optional Accent Media



Driftwood/Rock



Beach Accent Kit (Bayport 41 Glass only)



Ember Light Kit

Bayport 36 Millivolt Option Controls



Touch Screen Thermostat Remote Control



Deluxe On/Off Remote



Wired or Wireless Wall Mount Thermostat



Wireless wall switch

SPECIFICATIONS

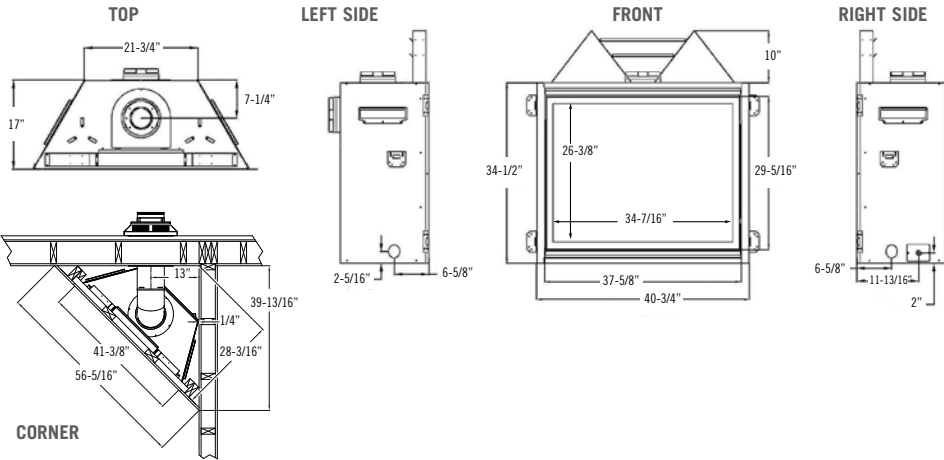
Model	Bayport 41	Bayport 36
Height	34-1/2"	32"
Width	40-3/4"	35-3/4"
Depth	17"	15"
Weight	200 lbs.	200 lbs.
Viewing Area	34-7/16" X 26-3/8"	29-7/16" X 23-7/8"
NG High / Low	30,000 / 15,000	26,500 / 14,000
LP High / Low	30,000 / 13,500	26,500 / 14,000
Efficiencies NG / LP	77.96% / 78.04%	76% / 78%
ENERGUIDE P4	NG 68.2% / LP 71.5%	NG 74% / LP 68%
Valve System	IPI	IPI Millivolt (BAY 36-MV)
Black Enamel Refractory	Standard (BAY 41-G) Optional (BAY 41-L, BAY 41-MV)	Standard (BAY 36-G) Optional (BAY 36-L, BAY 36-MV)
Optional Refractory	Brick (BAY 41-L, BAY 41-MV) Masonry (BAY 41-L, BAY 41-MV)	Brick (BAY 36-L, BAY 36-MV) Masonry (BAY 36-L, BAY 36-MV)
Accent Light Kit	Standard (BAY 41-G)	Standard (BAY 36-G)
Ember Light Kit	Optional (BAY 41-L)	Optional (BAY 36-L)
Glass Media	Required Glass Beads or Crystals (Bay 41-G Only)	(Required) Glass Beads
Accent Media	BAY41-G (Optional) Beach Accnt Kit or Driftwood/ Rock	BAY36-G (Optional) Driftwood/ Rock
Fan Kit Availability	Standard (Bay 41-L) Optional (Bay 41-G)	Standard (Bay 36-L) Optional (BAY 36-G, BAY 36-MV)
Screen Front	Required	Required

Clearances Features, Options & Specifications are subject to change.

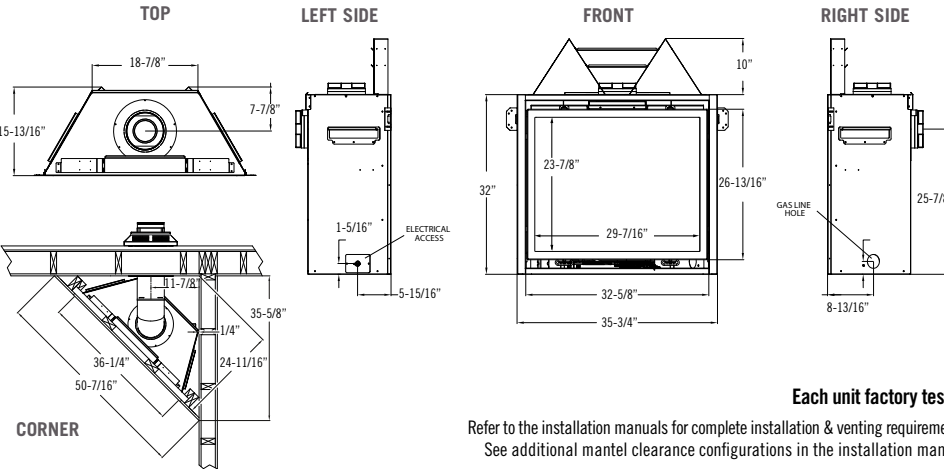
Model	Bayport 41	Bayport 36
Top of unit face to framing	10"	10"
From unit left & right corners	1/4"	1/4"
From unit back	1/2"	1"
Top of finishing edge to ceiling	31"	30"
Side of finishing edge to adjacent sidewall	1"	3/4"
Unit front to combustibles	36"	36"
Unit bottom standoffs to flooring	0"	0"
Mantel depth from unit top*	14" *Mantle 10" deep	13-1/2" *Mantle 9" deep

The Bayport 41 and Bayport 36 models are ordered as either the Log Set model (BAY 41-L or BAY 36-L) or Glass Media model (BAY 41-G or BAY 36-G). Both contain an IPI modulating valve system with full-function remote control. It is also available in a Millivolt (Log Set) model (BAY-36-MV) with a standing pilot system.

Bayport 41



Bayport 36



Each unit factory tested

Refer to the installation manuals for complete installation & venting requirements. See additional mantel clearance configurations in the installation manual.

Note: Over time, antique copper will react with oxygen, heat, and other aspects of the environment and naturally change color, or patina.

Vent System Approval & Requirements

This fireplace is manufactured to accept 4" x 6-5/8" pipe only.

- Simpson Dura-Vent™ DV-PRO Pipe - 4" x 6-5/8"
- Selkirik Metalbestos™ direct chimney system - 4" x 6-5/8"
- Ameri-Vent/American Metal™ direct chimney system - 4" x 6-5/8"
- Metal Fab™ 4" x 6-5/8"
- ICC™ 4" x 6-5/8"
- Kozy Heat™ Flexible #700 series vent kits* - 4" x 6-5/8"
- BDM™ direct vent chimney system - 4" x 6-5/8"

IMPORTANT: A wall thimble/pass thru must be used on ALL horizontal vent runs that pass through interior OR exterior walls. (follow vent manufacturers instructions)

The included horizontal vent heat shield must be installed when incorporating minimum horizontal venting. This applies to NG and LP minimum horizontal venting configurations.

Elbows: For each additional 90° elbow used after the first elbow, 3' must be subtracted from the maximum venting allowed. For each additional 45° elbow used after the first elbow, 1½' must be subtracted from the maximum venting allowed. Note: (2) 45° elbows = (1) 90° elbow.

Horizontal Terminations

Horizontal Venting Configurations differ between Log and Glass models. Consult their installation manuals for guidance.

Vertical Terminations (Rear Venting)

Minimum: 90° elbow + 3' + cap
Maximum: 90° elbow + 50' + cap

Vertical Terminations (Top Venting)

Minimum: 3' + vent cap
Maximum: 50' + vent cap

In order to continually provide the highest quality product available, features/options, specifications & dimensions are subject to change. Refer to the unit installation manual for complete installation instructions. Installation must conform with local building codes. **In some regions it may be possible that this appliance qualifies for an energy rebate. See your local dealer for details regarding promotions and qualifications.**

Product Line:



For complete information on the Kozy Heat product line, please contact us at:

Manufactured by Hussong Mfg. Co., Inc.
204 Industrial Park Drive, Lakefield, MN 56150
Phone 1-800-253-4904 www.kozyheat.com

9-16

