



Slayton 36

DIRECT VENT
GAS FIREPLACE



*Slayton 36 shown w/Rectangle
screen front, copper glass media &
optional driftwood/rock media kit*

Slayton 36 Options & Accessories

Model	Fuel Opt.	High	Low	Max. Efficiency
SLA-36	NG	33,000	17,000	71.2%
	LP	33,000	17,000	73.1%

Specifications	
Height	28-13/16"
Width	43-5/8"
Depth	15-13/16"
Weight	200 lbs.
Back	43-5/8"

The Slayton 36 model (Electronic Ignition) comes standard with a decorative black curved firebox lining, remote modulating valve system w/ flame, fan & Light adjustment. (remote control & light kit included)

Features:

- Canada P-4 approved
- High quality, quick-latch, lifetime glass (16-3/8" X 38-3/8")
- Enamel firebox lining (curved design) - black
- Light kit (bottom)
- Remote control - thermostatic (flame, light & fan adjustment)
- High-low regulator
- Engineer-designed burner system
- Minnesota Energy Code compliant to 50 pascals

Required for Installation:

- Glass media kit (various colors available)
- Safety barrier front (various designs & finishes available)

Optional Features:

- Automatic fan kit (2) -75 CFM
- Rock accent and driftwood log media kits
- Heat duct kit

Safety

- Each unit factory tested!
- Tested by OMNI-Test Laboratories, Complies with ANSI-Z21.88a-2012•CSA 2.33a-2012 'Vented gas fireplace heaters'
- U.S. & Canadian installation approved
- Sealed combustion chamber
- Electronic ignition system
- Automatic pressure relief glass system
- Battery back-up
- Bedroom & mobile home approved

Venting Systems & Requirements

Approved vent systems for this model may vary between Horizontal and Vertical applications. Please refer to the Approved Vent Chart (Table 11.1) in the installation manual.

Elbows: For each 90° elbow used 3' must be subtracted from the maximum venting allowed.

Note: (2) 45° elbows = (1) 90° elbow.

Maximum number of elbows for ALL vent configurations = 5

IMPORTANT

This fireplace requires a wall pass through thimble with a minimum of 1 in. clearance for ALL Horizontal Terminations.

Horizontal Terminations: Venting configurations vary between Nat & LP Gas, please consult the Slayton 36 installation manual for requirements.

Vertical Terminations: Minimum: 2' Maximum: 50'

Horizontal / Vertical Combo: Venting configurations vary between Nat & LP Gas, please consult the Slayton 36 installation manual for requirements.

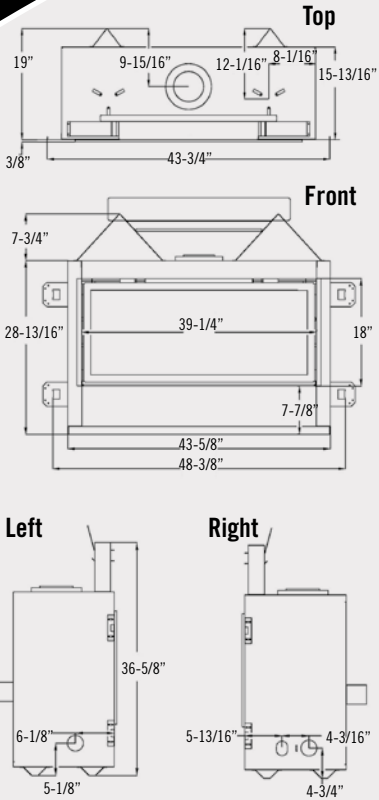
Framing Dimensions - Please refer to the Slayton 36 Installation manual.

NOTE: Refer to the Slayton 36's installation manual for complete installation & venting requirements.

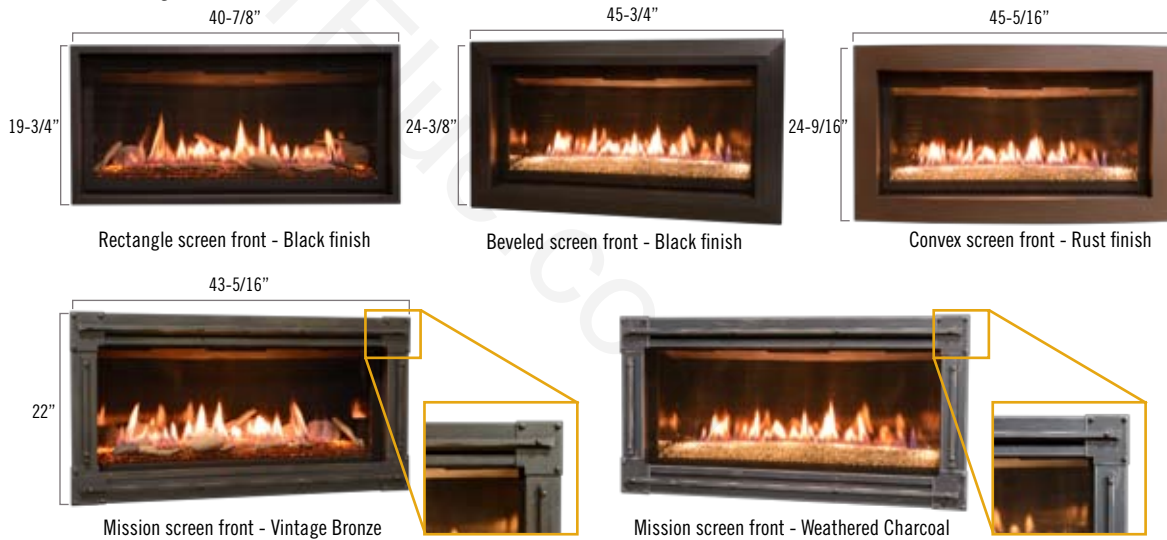
Clearances

Fireplace's top stand-off to framing	0"
From fireplace left & right stand-offs & back	0"
Fireplace bottom stand-off to flooring	0"
Top of finishing edge to ceiling	36"
Side of finishing edge to adjacent sidewall	6"
Mantel projection 1 in. deep from fireplace finishing edge*	14-1/4"

*Refer to Mantel Requirements in the fireplace installation manual.
Features, Options & Specifications are subject to change.



Fronts Available finishes: Black, Rust, Titanium, Vintage Bronze, Weathered Charcoal (Rectangle and Convex screen fronts available in Brushed Stainless)



Control

Flame, lights & fan controlled by the full function remote



Glass Media



Cobalt Blue



H2O



Black



White Frost



Copper

Refractory



Black enamel (Standard)

Accent Media



Driftwood/Rock Media



Driftwood Media



Rock Media



Slayton 36 burn video

In order to continually provide the highest quality product available, features/options, specifications & dimensions are subject to change. Refer to the unit installation manual for complete installation instructions. Installation must conform with local building codes. In some regions it may be possible that this appliance qualifies for an energy rebate. See your local dealer for details regarding promotions and qualifications.

Manufactured by Hussong Mfg. Co. Inc.
204 Industrial Park Drive, Lakefield, MN 56150
Phone 1-800-253-4904 www.kozyheat.com

10-13



For complete information on the Kozy Heat product line, please contact us at: