

Valor
THE ORIGINAL
RADIANT GAS FIREPLACE™
www.valorfireplaces.com

Legend G3 | Insert Series



Legend G3 Fireplace with Log Set Kit (739LSK), Red Brick Liner (739VRL), FenderFire Double Doors (743FVI) & Cast Surround (715CVI)

Legends Are Made. Not Born.

The Valor fireplace family showcases over a century of advancements in radiant heat technology and distinct hearth designs for your home.

Since introducing the first Valor Legend insert model in 1991, we continue to adapt and improve on all aspects of our flagship line. With constant innovation in product design and function, our objective is to exceed the expectations of Valor customers on every level.

Easy-to-use, energy saving features position the Valor G3 insert as a leader in efficient, effective zone heating - a true upgrade in heat control, product reliability and overall home comfort.

Update your existing living space with a wide selection of stunning fireplace designs in both traditional and contemporary appeal. A diverse collection of fronts, trims and hearth accessories provide endless installation opportunities for your dated, inefficient fireplace.

Embodying over 100 years of Valor tradition accompanied by the latest in state-of-the-art technology, the Legend G3 continues to be the industry's number one selling radiant gas insert.



Legend G3 Fireplace with Log Set Kit (739LSK), Red Brick Liner (739VRL),
Traditional Cast Front (742CFB) & 3-Sided Deluxe Trim Kit in Black (747DTK)



FenderFire Single Door (744FVI) and Cast Surround (715CVI)



Clearview Front (745CFV), Clearview Fret (758CCB) & 4-Sided Square Trim Kit in Vintage Iron (757STV)



Clearview Front (745CFV), Ventana Fret (1225VFB) & 2" 3-Sided Square Trim Kit in Black (767STB)



Contemporary Front in Vintage Iron (741SVI) and 3-Sided Contour Trim Kit in Vintage Iron (746VIK)

Surround Finishes



Legend G3 Fireplace with Rock Set Kit (739RSK), Decorative Rock Kit (761DRK), Fluted Black Liner (739FBL), 3-Sided Black Square Trim Kit (756STB) & 4-Sided Contemporary Front in Brushed Nickel (765CSN) (see next page for more Contemporary Front images)



Contemporary Front in Black (741SFB) and 4-Sided Contour Trim Kit in Black (748CTK)



Traditional Cast Front (742CFB) and 3-Sided Contour Trim Kit in Black (746CTK)



Matte Black Front (772MBF2) and 3-Sided Square Trim Kit in Black (756STB)



Clearview Front (745CFV), Clearview Fret (758CCB) and 3-Sided Square Trim Kit in Brushed Nickel (756STP)

**739DWK
DRIFTWOOD
FUEL BED**

**739DWK
DRIFTWOOD
FUEL BED**



Clearview Front (745CFV), Clearview Access Panel Kit (740CAP) and 3-Sided Square Trim Kit in Vintage Iron (756STV)



FenderFire Double Door (743FVI) and Oversized Trim Kit (7530TK)

LEGEND G3 INSERT FIREPLACE COMPONENTS

ENGINES	Model	Description
738JN	Legend G3 B-Vent Engine NG (must select a fuel bed and liner set)	
738JP	Legend G3 B-Vent Engine LPG (must select a fuel bed and liner set)	
739JN	Legend G3 Direct Vent Engine NG (must select a fuel bed and liner set)	
739JP	Legend G3 Direct Vent Engine LPG (must select a fuel bed and liner set)	

FUEL BEDS	Model	Description
739DWK	Driftwood Kit - Fuel Bed	
739LSK	Log Set Kit - Fuel Bed	
739RSK	Creekside Rock Set Kit - Fuel Bed	

LINERS	Model	Description
739FBL	Fluted Black Liner	
739VRL	Red Brick Liner	
739RGL	Reflective Glass Liner	
759EBL	Enamel Black Liner	

FRETS	Model	Description
740CAP	Clearview Access Panel Kit	
758CCB	Clearview Cast Fret - Black & Vintage Iron	
1225VFB	Ventana Fret - Black	

SURROUNDS	Model	Description
715CVI	Cast Surround Plate - Vintage Iron (29" h X 41" w)	
746CTK	3-Sided Contour Trim Kit - Black (26-3/4" h X 36-1/2" w)	
746VIK	3-Sided Contour Trim Kit - Vintage Iron (26-3/4" h X 36-1/2" w)	
747DTK	3-Sided Deluxe Trim Kit - Black (26-3/4" h X 36-1/2" w)	
747VIK	3-Sided Deluxe Trim Kit - Vintage Iron (26-3/4" h X 36-1/2" w)	
748VIK	4-Sided Contour Trim Kit - Vintage Iron (30-1/4" h X 36-1/2" w)	
749DTK	4-Sided Deluxe Trim Kit - Black (30-1/4" h X 36-1/2" w)	
749VIK	4-Sided Deluxe Trim Kit - Vintage Iron (30-1/4" h X 36-1/2" w)	
7500CP	Oversized Closure Plate - Black (Max. Coverage 29-1/2" h X 42" w)	
7500VI	Oversized Closure Plate - Vintage Iron (Max. Coverage 29-1/2" h X 42" w)	
751LTK	Lift Trim Kit - Black	
751LVK	Lift Trim Kit - Vintage Iron	
752BTK	Base Trim Kit - Black	
752BVK	Base Trim Kit - Vintage Iron	
7530TK	Oversized Trim Kit - Black (31" h X 45-3/16" w)	
7530TV	Oversized Trim Kit - Vintage Iron (31" h X 45-3/16" w)	
756STB	3-Sided Square Trim Kit - Black (27-1/8" h X 37-1/2" w)	
756STV	3-Sided Square Trim Kit - Vintage Iron (27-1/8" h X 37-1/2" w)	
756STP	3-Sided Square Trim Kit - Brushed Nickel (27-1/8" h X 37-1/2" w)	
757STB	4-Sided Square Trim Kit - Black (31-1/8" h X 37-1/2" w)	
757STV	4-Sided Square Trim Kit - Vintage Iron (31-1/8" h X 37-1/2" w)	
763BPB	Backing Plate - Black (30-1/2" h X 42" w) - for use with 739 model only	
764PFB	Picture Frame 4-Sided Square Trim Kit - Black (27-1/8" h X 39-1/2" w)	
767STB	3-Sided Square Trim Kit (2") in Black (25-5/8" h X 34-3/8" w)	

Please Note: Printed images may vary from actual product. Refer to the 738/739 Legend G3 Insert Series engine manual for product installation. All product information is accurate at time of printing and is subject to change. For more information visit valorfireplaces.com



LEGEND G3 INSERT FIREPLACE COMPONENTS

FRONTS	Model	Description
741SFB	Contemporary Steel Front - Black	
741SVI	Contemporary Steel Front - Vintage Iron	
742CFB	Traditional Cast Iron Front - Black	
743FVI	FenderFire Double Door - Black & Vintage Iron	
744FVI	FenderFire Single Door - Black & Vintage Iron	
745CFV	Clearview Front - Black & Vintage Iron	
765CSB	4-Sided Contemporary Front in Black (739 model only)	
765CSC	4-Sided Contemporary Front in Copper (739 model only)	
765CSN	4-Sided Contemporary Front in Brushed Nickel (739 model only)	
765CSPN	4-Sided Contemporary Front in Painted Nickel (739 model only)	
772MBF2	Matte Black Front - Version 2	

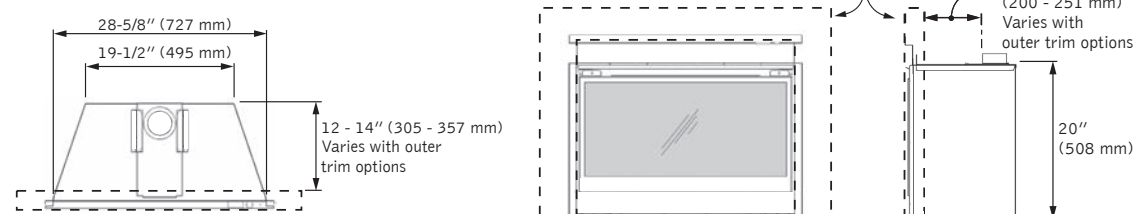
ACCESSORIES	Model	Description
720SWK	Sidewall Venting Kit (co-linear vent terminal for select sidewall applications)	
755CFK	Circulating Fan Kit (with variable speed thermally activated controller. 739 model only)	
761DRK	Decorative Rock Kit (optional accessory for the Creekside rock fuel bed)	
762TRB	Temperature Reduction Baffle (optional)	
770ZCK	Zero Clearance Kit (738 b-vent model only)	
1265WSK	Valor Wall Switch Kit (works with ValorStat handset. For use with 739 model only)	

MODEL/ FUEL	Model	Fuel	Fan Option	Remote System	Max. Input BTU/hr	Min. Input BTU/hr	EnerGuide Rating*	Max. Output* BTU/hr (w/out fan)
738JN	NG	No	ValorStat		24,000	6,500	59%	16,169
738JP	LPG	No	ValorStat		24,000	13,000	59%	16,169
739JN	NG	Yes	ValorStat Plus		26,000	6,500	66.4%	17,490
739JP	LPG	Yes	ValorStat Plus		24,000	13,000	63.3%	16,171

Certified to ANSI Z21.88-2014/CSA 2.33-2014 Vented Gas Fireplace Heater American National Standard
CGA - 2.17-91 Gas Fired Appliances for use at High Altitudes
* EnerGuide Ratings and Outputs have been determined without a fan/blower, using the CSA P4.1-09 test method

LEGEND G3 DIMENSIONS

DIMENSIONS 738 B-VENT MODEL



FIREPLACE SAFETY - USE RADIANT HEAT SAFELY

Fireplace surfaces, in particular the glass viewing window, are extremely hot during operation and will remain hot for a period of time after the fireplace is turned off. Contact with the hot glass can cause severe burns. Close adult supervision is required if there are young children, or at-risk individuals in the house.

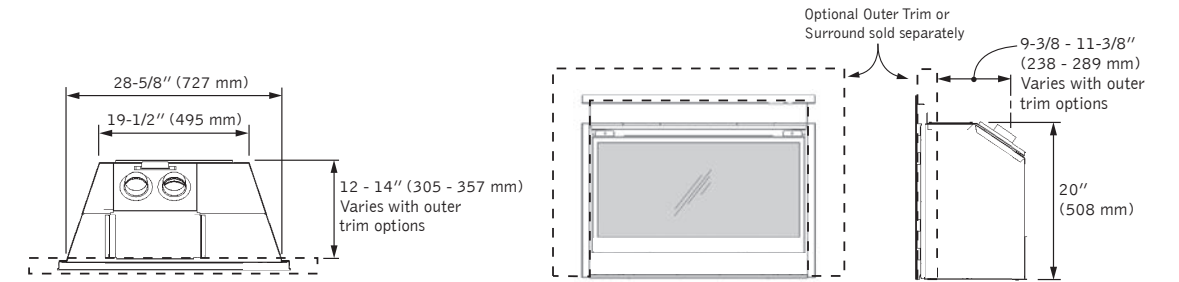
Included with your purchase, a Valor Barrier Screen is recommended at all times. Install an approved aftermarket safety gate to keep toddlers, young children and at-risk individuals a safe distance from the fireplace.

For more information please visit www.valorfireplaces.com/safety.

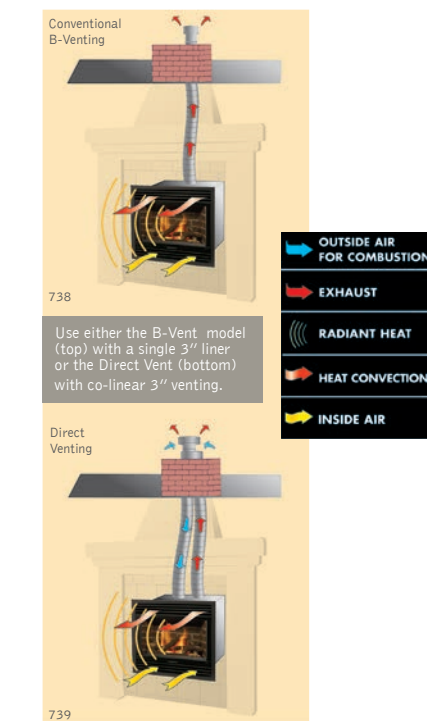
LEGEND G3 DIMENSIONS, VENTING, MANTEL & CAVITY CLEARANCES

DIMENSIONS

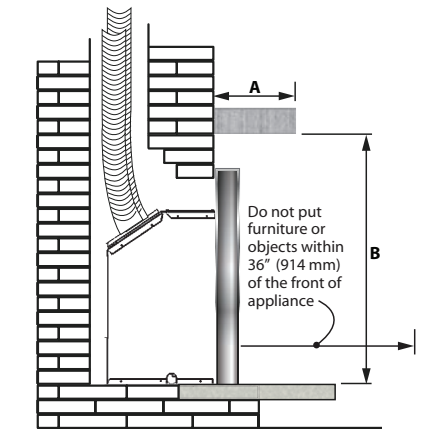
739 DIRECT VENT MODEL



VENTING



MANTEL CLEARANCES



Mantel Projection A	1" (25 mm)	1"- 6" (25-152 mm)	9" (229 mm)	12" (305 mm)
Mantel Height B*	36" (914 mm)	39" (991 mm)	42" (1067 mm)	45" (1143 mm)

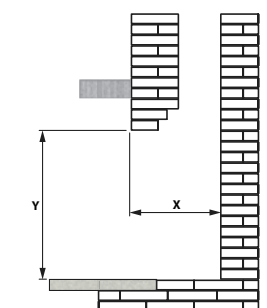
* Measure taken from the underside of the mantel to finished hearth or surface that the unit is sitting on

Sidewall Clearances - Minimum distance from side of appliance (liner box) to combustible wall - 9" (229 mm)

MINIMUM CAVITY DIMENSIONS

- Minimum depth (X) = 12-14" (305-357 mm) - varies with outer trim options
- Minimum height (Y) = 20" (508 mm); 24" (610 mm) when using 763BPB Backing Plate
- Minimum width of fireplace opening at front is 28" (711 mm)

Installation reminder - Check that masonry step does not interfere with install dimensions or vent pipe.



Designed and manufactured by:



Copyright Miles Industries Ltd. 2015

Proudly made in North America

BRLEG315aE - Nov. 2015

Printed on recycled paper





Legend G3 Fireplace with Rock Set Kit (739RSK), Decorative Rock Kit (761DRK), Fluted Black Liner (739FBL), 4-Sided Picture Frame Square Trim Kit (764PFB) & Contemporary Front in Brushed Nickel (765CSN)

Ideal for "up the wall" applications, the Picture Frame trim kit is evenly proportioned and landscape in design.

The 764PFB 4-Sided Picture Frame Square Trim Kit works exclusively with the 765 Contemporary Front collection (shown below).

Available in black only, the 764PFB trim kit must be installed with a 765 Contemporary Front (4 finishes to choose from - copper, black, brushed nickel & painted nickel).



1. 3-Sided Black Square Trim Kit (756STB) & 4-Sided Contemporary Front in Copper (765CSC)
2. 3-Sided Black Square Trim Kit (756STB) & 4-Sided Contemporary Front in Brushed Nickel (765CSN)
3. 3-Sided Brushed Nickel Square Trim Kit (756STP) & 4-Sided Contemporary Front in Black (765CSB)

Not Shown: 765CSPN 4-Sided Contemporary Front in Painted Nickel

Valor SMARTFIRE SYSTEM

LUXURY. EFFICIENCY. QUALITY. CONVENIENCE. HEAT.



VALORSTAT REMOTE - HOME COMFORT CONTROL

The advancements of electronics has raised the bar in smart fireplace design. The ValorStat control system maintains a steady, even comfort and can be programmed to provide heat exactly where you want it, when you want it. The ValorStat Plus remote pilot ignition system (on direct vent models only) allows you to turn the pilot light on and off directly from the handset. Each Legend G3 Insert comes standard with a ValorStat handheld remote.



THE VALOR COMFORT ZONE

Pumping forced air heat through your entire home is often inefficient. Targeting specific areas that you frequent the most is more economical and efficient in the long run. Zone heating with a Valor requires no ducting or forced air, delivering the perfect blend of radiant and convective warmth at the temperature you desire.



THE ADVANTAGE OF RADIANT WARMTH

Like heat from the sun, Valor fireplaces distribute radiant warmth directly to your living space. Radiant heat satisfies human comfort needs, using up to 25% less energy compared to traditional forced air systems. Valor warmth effectively replaces the chill from cold windows and doors, providing steady, even heat to objects in the room. Designed to circulate warm air through natural convection, the Legend Series raises gas insert standards in heat performance and efficiency.



HEAT DURING A POWER FAILURE - NO POWER, NO PROBLEM

If the power fails in the winter your home can get cold fast. Valor fireplaces are fully functional heaters that don't use electricity. Our fireplaces provide the perfect mixture of radiant and convective heat reducing the need for a fan. No power, no problem with Valor.



BURN CLEAN, ENGINEERED GREEN

Natural gas is the cleanest fireplace fuel you can burn, with the lowest particulate levels and lowest levels of greenhouse gases. Valor specializes in the design of cost effective, heat solutions for your home.

Valor THE WISE WAY TO HEAT

Your Authorized Valor Dealer

Valor
THE ORIGINAL
RADIANT GAS FIREPLACE™
www.valorfireplaces.com

BRLEG315aE - Nov. 2015