

Portrait Series



530 Engine with 539AFBv2 Windsor Arch Front & 530CSK Coal Set / Reversible Liner Kit (shown in red brick)

A PICTURE SAYS A THOUSAND WORDS

The Valor Portrait Series offers a diverse collection of adaptive fireplace fronts complementing both traditional and contemporary room settings.

Engineered as a gas insert or zero clearance fireplace for new construction (depending on your specific needs) the Portrait 530 offers two slim design fire box options. Installation possibilities become vast and welcome your architectural and interior design inspirations.

And while the Portrait front collection embodies a variety of stunning looks, they all share the same Valor DNA when it comes to heat performance.

Powered by Valor's time proven and compact 'fits anywhere' 530 engine, you'll appreciate the Portrait's high performance efficiencies and energy saving features whatever look you decide.

Maximizing heat performance in your home the ValorStat programmable remote control provides convenient, reliable and easy to use features distributing effective heat - where you want it, when you want.

Hand-crafted castings, high-quality metals and artisan patina finishes are just a few of the many features that define the Portrait Series front collection. Traditional log, coal and rock fire bed options direct steady, radiant warmth satisfying your home comfort needs.

A distinct collection of fireplace designs, proficient heat capabilities and home installation versatility make the Portrait Series a triple threat.

Your living room should be a destination that is actually lived in, a gathering place to enjoy time with your family, friends and loved ones. An industry leader in efficient warmth, steady comfort and home safety Valor is there for you, sharing these memories for years to come.

Remember that although a picture may say a thousand words a portrait is considered timeless - Valor, warming homes since 1890.



530 Engine with 541BPC Bolero Front, 3336CP Black Closure Plate & 530LSK Log Set / Reversible Liner Kit (shown in black fluted)

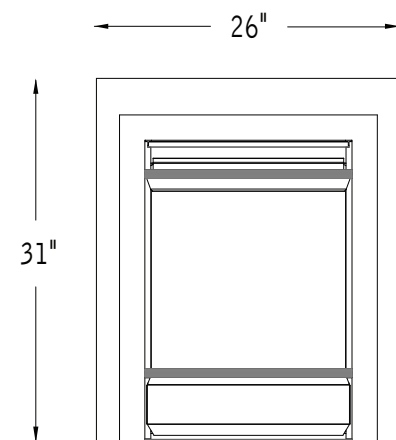
CLEARVIEW

A design template that is popular across our extensive line of Valor products the Clearview front offers modern styling, ideal for insert applications in tight spaces and ZC new construction.

A wide range of diverse venting solutions unique to the Portrait engine, position the Clearview front as a perfect upgrade to your home renovation project.



530RSK Rock Set Kit with 580RGL Reflective Glass Liner (one of three fire beds to choose from)



Note: the Clearview zero clearance dimensions are 26"w (x) 30"h



530 Engine with 545CFV Clearview Insert Front & 530LSK Log Set/ Reversible Liner Kit (shown in red brick)

LEDGE

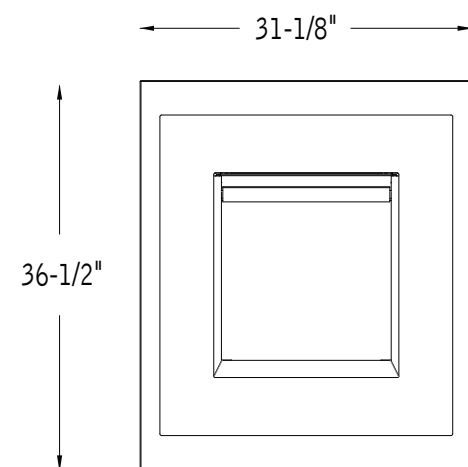
Balancing seamless design with crisp profiles, the Ledge features a beautiful collection of three complementary finishes in black powder coated paint, plated brushed nickel and artisan hand crafted patina.

With minimal impact on actual floor space, the Ledge is ideal for kitchens, dens, lofts & other small spaces.

The powder coated backing plate provides a further statement designed to frame the Ledge, adding further depth and contrast.



Shown above - 569LFB Ledge Front in Black



Note: the Ledge Front without backing plate dimensions are 27-3/8" w (x) 30" h



530 Engine with 569LFP Ledge Front Kit in Patina, 570FPB Finishing Plate in black, 530RSK Rock Set / Reversible Liner Kit (shown in black fluted) & Standard 567FGP Firebox Grille Panel

LEDGEVIEW

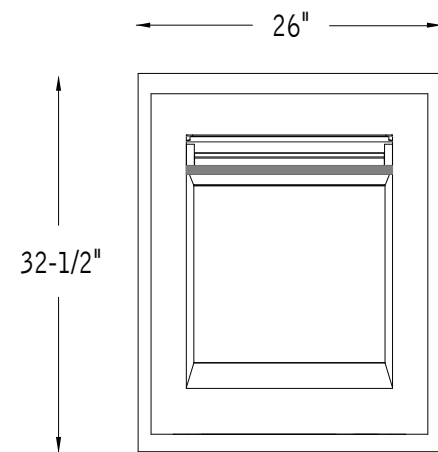
Inspired by Valor's Portrait Ledge the Ledgeview is slimmer in design offering a contemporary 4-sided front as an insert application, perfect for existing fireplace upgrades.

A standard backing plate frames your choice of three high quality front finishes in black and bronze powder coated paint and plated brushed nickel.

A small footprint positions the Ledgeview as an exceptional insert fireplace, ideal for intimate home spaces.



Ledgeview 546LFZ Bronze and 546LFB Black Fascia Kits



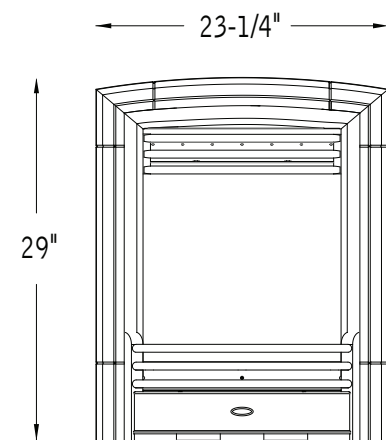
530 Engine with 546LFN Ledgeview Insert Front in Brushed Nickel, 530RSK Rock Set & Reversible Liner Kit, 580RGL Reflective Glass Liner & 567FGP Standard Firebox Grille Panel

BOLERO

Designed to fit contemporary spaces both old and new, the Bolero offers a unique look that adapts to your interior.

Cast surfaces are polished smooth then plated for a stunning finish, etched with crisp dark lines and curved outside contours.

Like all Portrait Series fires you have the choice between traditional log, black coal or rock fire media. As well, all fire beds include a reversible black liner/red brick set with an optional reflective glass liner kit.



530 Engine with 541BPC Bolero Front, 582CPB Black Closure Plate & 530LSK Log Set/ Reversible Liner Kit (shown in black fluted)



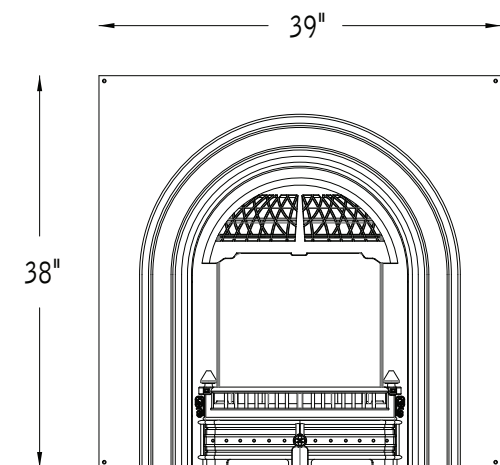
WINDSOR ARCH

There once was a time when families spent the evening gathered happily around a warm flame, not a television. The Windsor Arch evokes this era, providing timeless beauty and stunning craftsmanship.

Victorian castings feature chrome detailing or simplistic black finishes, both acting as the perfect backdrop as flames radiate steady, even heat for many years to come.



539AFPv2 Windsor Arch Front - chrome detailing



Note: the Windsor Arch without backing plate dimensions are 31"w (x) 34"h



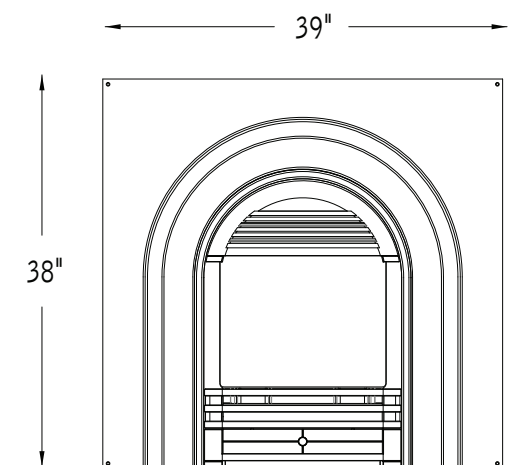
CLASSIC ARCH

A modern tribute to the highly successful Windsor Arch front, the Classic Arch features brushed chrome highlights that accentuate cast iron finishes. Chrome curvatures define fire bed presence framing spectacular flames within.

The Classic Arch's square cast iron plate works perfectly with mantel applications providing a seamless transition to surround finishes.



530LSK Log Set Kit with Reversible Red Brick Liner (one of three fire beds to choose from)



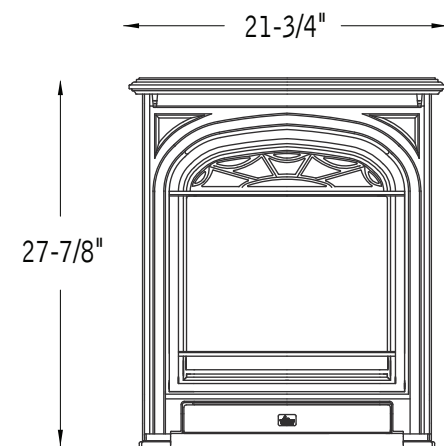
PRESIDENT

Solid casting with dark, strong features accentuate the President's vertical format. Beautiful attention to detail is recognized as radiant flames illuminate the cast base, reflecting warmth to objects in the room.

A presidential update and upgraded to existing fireplace surrounds, compact framing plate options provide a functional transition to existing stone and mantel work - a welcomed feature when trying to maintain the heritage look of your home.



530CSK Coal Set Kit with Reversible Red Brick Liner (one of three fire beds to choose from)



530 Engine with 536CXBI President Insert Cast Front, 582CPB Black Closure Plate & 530CSK Coal Set/ Reversible Liner Kit (shown in black fluted)



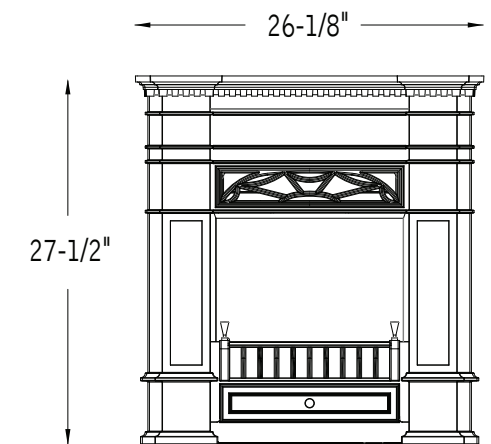
SENATOR

Highlighting the fine art of quality cast iron design, the Senator fits comfortably in both well appointed and simplistic settings.

Attention to detail does not go unnoticed as warm flames reflect off the Senator's cast contours and immaculate detailing. These flames provide powerful Valor radiant warmth, although compact and modest in design.



563SCB Senator Front - casting depth detail



Valor SMARTFIRE SYSTEM

LUXURY. EFFICIENCY. QUALITY. CONVENIENCE. HEAT.



VALORSTAT PLUS REMOTE - HOME COMFORT CONTROL

Standard with purchase, the Valor Comfort Control manages your heating needs with convenience, reliability and simplicity. Valor's touch button handset ignites the pilot with ease, adjusts flame levels as desired and has programmable options including room temperature control. Eco-friendly in design, your pilot flame will automatically turn off if the fireplace is inactive for over 5 days, saving energy and lowering overall home heating costs.



THE COMFORT ZONE

Pumping forced air heat through your entire home is often inefficient. Targeting specific areas that you frequent the most is more economical and efficient in the long run. Zone heating with a Valor requires no ducting or forced air, delivering the perfect blend of radiant and convective warmth – where you want it, when you want.



RADIANT WARMTH

Like heat from the sun, Valor fireplaces distribute radiant warmth directly to your living space. Radiant heat satisfies human comfort needs, using up to 25% less energy compared to traditional forced air systems. Valor warmth effectively replaces the chill from cold windows and doors, providing steady, even heat to objects in the room. Designed to circulate warm air through natural convection, the Portrait Series raises gas fireplace standards in product performance and efficiency.



HEAT DURING A POWER FAILURE - NO POWER, NO PROBLEM

If the power fails in the winter your home can get cold fast. Valor fireplaces are fully functional heaters that don't use electricity. Our fireplaces provide the perfect mixture of radiant and convective heat reducing the need for a fan. No power, no problem with Valor.



BURN CLEAN, ENGINEERED GREEN

Natural gas is the cleanest fireplace fuel you can burn, with the lowest particulate levels and lowest levels of greenhouse gases. Valor specializes in the design of cost effective, heat solutions for your home.



FIREPLACE SAFETY - USE RADIANT HEAT SAFELY

Fireplace surfaces, in particular the glass viewing window, are extremely hot during operation and will remain hot for a period of time after the fireplace is turned off. Contact with the hot glass can cause severe burns. Close adult supervision is required if there are young children, or at-risk individuals in the house.

Included with your purchase, a Valor barrier screen is recommended at all times. Install an approved aftermarket safety gate to keep toddlers, young children and at-risk individuals a safe distance from the fireplace.

For more information please visit www.valorfireplaces.com/safety.

530 Engine with 549AFBv2 Windsor Arch Front in black & 530LSK Log Set / Reversible Liner Kit (shown in red brick)



PORTRAIT SERIES FIREPLACE COMPONENTS

ENGINES	Model	Description
	530IN	Direct Vent Portrait Series Zero Clearance Engine NG
	530IP	Direct Vent Portrait Series Zero Clearance Engine LPG
	530INI	Direct Vent Portrait Series Insert Engine NG
	530IPI	Direct Vent Portrait Series Insert Engine LPG
FUEL BEDS/ LINERS	530CSK	Coal Set Kit (with Reversible Red Brick/Black Fluted Liner)
	530LSK	Log Set Kit (with Reversible Red Brick/Black Fluted Liner)
	530RSK	Rock Set Kit (with Reversible Red Brick/Black Fluted Liner)
FRONTS	536CXB	President ZC Cast Front - Black
	536CXBI	President Insert Cast Front - Black
	539AFBv2	Windsor Arch ZC Front with Cast Iron Plate - Black
	539AFPv2	Windsor Arch ZC Front with Cast Iron Plate - Chrome Highlights
	541BPC	Bolero Polished Cast Iron Front
	545CFV	Clearview Insert Front - Black and Vintage Iron with Standard Fret
	545CFVZC	Clearview ZC Front - Black and Vintage Iron with Standard Fret
	546LFB	Ledgeview Insert Front - Black
	546LFN	Ledgeview Insert Front - Brushed Nickel
	546LFZ	Ledgeview Insert Front - Bronze
	549AFBv2	Windsor Arch Insert Front - Black
	549AFPv2	Windsor Arch Insert Front - Chrome Highlights
	550CPAv2	Classic Arch Front
	563SCB	Senator Cast Front - Black
	569LFB	Ledge Front - Black
	569LFN	Ledge Front - Nickel
	569LFP	Ledge Front - Patina
	570FPB	Ledge Finishing Plate - 31-1/8" w (x) 36-1/2" h - Black
ACCESSORIES	545TFB	Traditional Cast Iron Fret - Black
	555CFK	Circulating Fan Kit - variable speed, thermally activated
	556CLA	Co-linear Adapter - converts co-axial vent to 2 x 3" vent liners (530IN/P only)
	559CLT	Co-linear Terminal - chimney liner terminal cap (for use with 556CLA)
	559SFK	Square Flashing Kit for 559CLT (for masonry application)
	580RGL	Reflective Glass Liner
	582CPB	Closure Plate - 26"w (x) 31"h - Black (insert only)
	583CPB	Closure Plate - 30"w (x) 33"h - Black (insert only)
	658DVK2	Direct Vent Terminal - coaxial with wall thimble
	720SWK	Sidewall Co-linear Terminal Kit
	817VAK	Vent Adapter - Simpson Dura-Vent
	845TG	Terminal Guard (see installation manual for more information)
	1265WSK	Wall Switch Kit
	3336CP	Closure Plate - 33"w (x) 36"h - Black (insert only)
	GV60BRK	1 Hour Shut Down Handset
	GV60NTK	Non-Thermostat Handset
	RBWSK	Remote Battery & Wall Switch Kit

PORTRAIT SERIES HEAT PERFORMANCE & EFFICIENCY RATINGS

MODEL/FUEL	Model	Fuel	Max. Input BTU/hr	Min. Input BTU/hr	EnerGuide Rating*	Max. Output* (w/out fan) BTU/hr
	530IN	NG	20,500	6,500	70.2%	15,117
	530IP	LPG	19,000	12,500	70%	14,476
	530INI	NG	20,500	6,500	64%	13,223
	530IPI	LPG	19,000	12,500	66%	13,100

Certified to ANSI Z21.88-2014/ CSA 2.33-2014 Vented Gas Fireplace Heater American National Standard
CGA - 2.17-91 Gas Fired Appliances for use at High Altitudes
* EnerGuide Ratings and Outputs have been determined without a fan/blower, using the CSA P4.1-09 test method

PORTRAIT DIMENSIONS

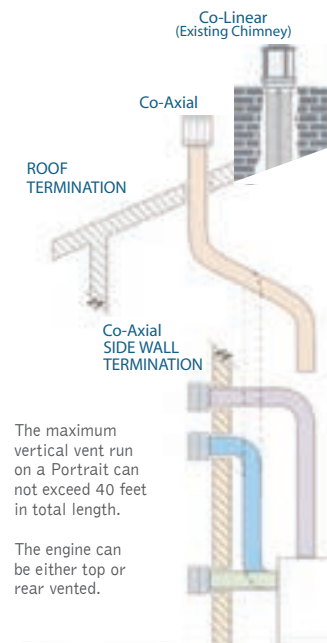
Front	Zero Clearance Framing Dimensions	Insert Minimum Cavity Dimensions
President	38" h (x) 26-1/4" w (x) 11" d	25-1/4" h (x) 20" w (x) 9" d
Bolero	38" h (x) 26-1/4" w (x) 12" d	25-1/4" h (x) 20" w (x) 10" d
Senator	38" h (x) 26-1/4" w (x) 11" d	25-1/4" h (x) 20" w (x) 9" d
Windsor Arch	37" h (x) 26-1/4" w (x) 13-1/8" d	25-1/4" h (x) 20" w (x) 11-1/2" d
Classic Arch	37" h (x) 26-1/4" w (x) 13-1/8" d	25-1/4" h (x) 20" w (x) 11-1/2" d
Ledge	30-1/4" h (x) 22-1/2" w (x) 12-3/4" d	Not available as an insert - Ledgeview recommended
Ledgeview*	32" h (x) 22-1/2" w (x) 12-3/4" d	25-1/4" h (x) 20" w (x) 11-3/8" d
Clearview	32" h (x) 22-1/2" w (x) 12-3/4" d	25-1/4" h (x) 20" w (x) 11-3/8" d

*Ledgeview is a 4-sided front and requires the appliance to be raised by min. 1-1/2" above hearth. Framing & cavity dimensions - Framing & cavity specs differ depending on front selected and installation format (insert or ZC). Allow for more depth if using a rear vent elbow - refer to Portrait engine and front specific manuals for framing dimensions, vent configurations & restrictions, existing masonry cavity specifications & full installation restrictions.

VENTING OPTIONS

530IN/530IP Venting (zero clearance model)
530INI/530IPI Venting (insert model)

- cutting out of existing masonry chimney wall and venting out of the vertical wall not shown



530 ENGINE OPTIONS

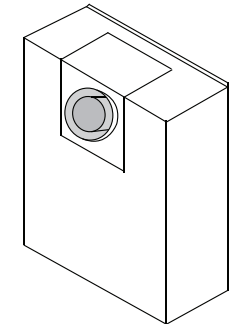
Window Dimensions - 15-3/8"(h) x 16-3/4"(w)

530IN/530IP

(zero clearance model)

Features Include:

- Co-axial venting ideal for built-in ZC applications
- convertible top/rear vent
- slim engine depth
- direct vent co-axial system convertible to co-linear
- Improved window latch system for ease of service

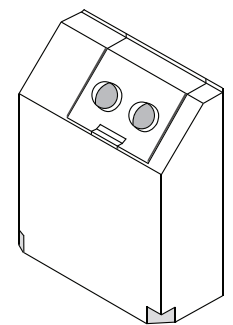


530INI/530IPI

(insert model)

Features Include:

- co-linear vent collar plate ideal for inserting into existing solid fuel fireplaces
- Tapered fire box venting and slim design for fitting difficult chimney cavities
- Removable tapered venting collar for ease of install
- Direct vent co-linear flex venting system
- Improved window latch system for ease of service



Designed and manufactured by:



Copyright Miles Industries Ltd. 2016
Proudly made in North America
BRPORT16E - Feb 2016
Printed on recycled paper

Please Note: Printed images may vary from actual product.
Refer to the 530 Series engine manuals for product installation.
All product information is accurate at time of printing and is subject to change.
For more information visit valorfireplaces.com





530 Engine with 545CFV Clearview Insert Front & 530LSK Log Set/ Reversible Liner Kit (shown in red brick)

valor THE WISE WAY TO HEAT

Your Authorized Valor Dealer

valor
THE ORIGINAL
RADIANT GAS FIREPLACE™
www.valorfireplaces.com

BRPORT16E - Feb 2016