

Doctor Flue inc.



BODART & GONAY



a part of you



Doctor File inc.

Produced by : Jean Leclercq



a part of you

BODART & GONAY

Welcome to BG, a place of comfort and well being, where the warmth of flames combines with aesthetics and contemporary design to produce fireplaces which will give your interior a bright and warm atmosphere.

All the appliances in the range, wood, multi-fuel and gas, use the same tradition of innovation and perfect quality that Bodart and Gonay have perfected over 50 years of complete customer satisfaction.

There is no doubt you will find happiness by choosing Bodart & Gonay and we promise the passion that lights our fire will soon light yours too!

The Solid Fuel Range



Through our wide range of solid fuel appliances, we demonstrate our passion for warmth and share this with you thanks to our state of the art appliances that combine perfect performance with superb aesthetical appearance.

These appliances have been placed into four separate categories that meet every need, expectation and desire.

infire



The new generation of built-in fireplaces, complete with integrated convection fans. These combine practicality with clean lines, optimum output and easy maintenance.

A range that includes multi-fuel (wood and coal), dedicated wood-burning and the very latest 'GREEN' woodburners.

p.10

optifire



The most versatile of built-in fireplaces in terms of style, performance and application with optional convection fan to deliver exceptional performance.

Refined and typically BG with superb styling, powerful output and easy maintenance. A range that includes multi-fuel (wood and coal), dedicated wood-burning and the very latest 'GREEN' woodburners.

p.20

phenix



Powerful built-in wood-burning fireplaces with vertically retractable door, GREEN credentials and optional convection fan.

Enjoy open fire ambiance with the door open and maximum efficiency and control with the door closed.

p.32

sd



Unique built-in wood-burning fireplace with a sideways retractable door and optional convection fan.

Enjoy open fire ambiance with the door open and maximum efficiency and control with the door closed.

Being compact, it can be easily installed into an existing chimney with minimum construction work.

p.40

contents

The Gas Burning Range



BG gas burning fireplaces offer an appealing alternative to the traditional solid fuel fire. Packed with technology they set themselves apart with their bold look, superb performance, astonishing ease of use and reassuring safety features.

From the stylish Cosmos to the versatile Solaris, we offer a full range of gas fires entirely dedicated to beauty and efficiency.

cosmos



Built-in gas-burning fireplaces known for their much understated long and narrow design, ideal for modern interiors.

p.56

argos



Built-in gas-burning fireplaces combining both elegant aesthetics and extraordinary efficiency.

These appliances are equipped with powerful ventilation systems that distribute heat through the house quickly and harmoniously.

p.60

helios



Built-in gas-burning fireplace with its sleek vertical style provides beautiful, lively flames.

p.62

solaris



Built-in gas-burning fireplace fires with traditional dimensions that give an attractive versatility suited to all types of interior.

p.63

Doctor Flue inc.

Ever since man discovered and mastered fire, wood has been the fuel of choice. The crackling of logs as they burn is incomparable and the warm atmosphere it creates has made it an undoubted success.

By choosing to use wood-burning fireplaces you are also doing your bit for the planet, as unlike oil and gas, burning wood does not add to the greenhouse effect. It also has a significant cost advantage, being much cheaper than other types of fuel.

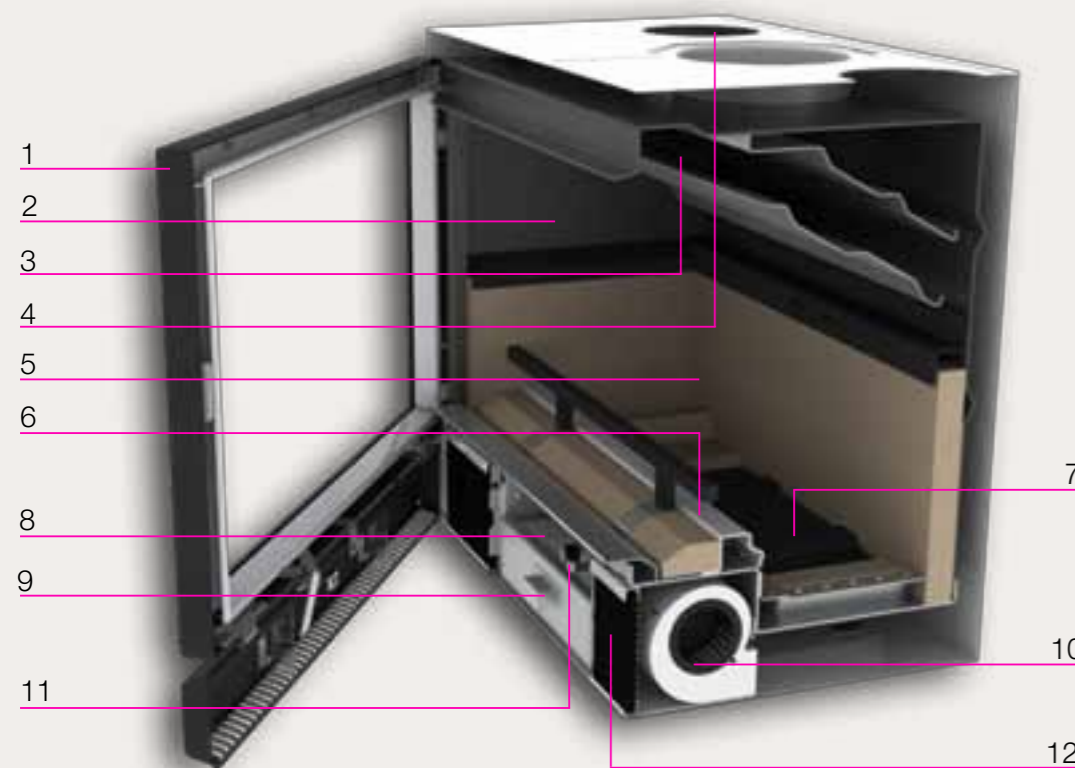
Thanks to over 50 years experience in designing and manufacturing wood burning fireplaces, BG have overcome many different boundaries. We offer a wide range of appliances that all have the same standards of technological quality and reliability in addition to our typically refined, yet understated, looks. Each one is available in a variety of shapes and sizes, making your choice even easier.

Doctor Flue inc.

wood-
burning
fireplaces



How do INFIRE fireplaces work?



- 1 The door** mainly glazed and fitted with hardwearing stainless steel gaskets, which ensure that it is perfectly and continuously airtight. Its optimal smoke control helps you to keep the window clean.
- 2 The combustion chamber**, deep and made of high quality steel, it guarantees that the heat is distributed quickly.
- 3 The adjustable baffles** ensure almost total combustion, maximum output and better power. As it is easy to remove, cleaning the chimney is not a problem.
- 4 The extraction vents** allow the hot air to be distributed to other rooms in the house.
- 5 The inside reinforced** with either firebrick, vermiculite or in fireproof cast-iron plates, ensures a higher combustion temperature and/or long-lasting thermal inertia.
- 6 The air distributors** ensure ideal combustion of the fuel.
- 7 The combustion grates** are highly resistant; they allow efficient deashing and an optimal performance whichever fuel you use.
- 8 The thermostat** ensures a constant temperature, minimal consumption and a long-lasting fire.
- 9 The ashtray** is easily accessible and allows simple and fast removal of the ashes.
- 10 The centrifugal fans**, adjustable with an electronic speed regulator, guarantee quiet yet powerful convection so that the heat is quickly distributed throughout your home.
- 11 The temperature switch (thermoswitch)** automatically starts and stops the fan depending on the heat of the fire. A door switch stops the fan when the door is opened.
- 12 The dust filters**, easy to remove and clean so as to prevent dust particles from getting into the room.

The infire range

Simple and functional, practical and aesthetic, the new generation of built-in multi-fuel INFIRE fireplaces is all that and much more. The purity of its look, the size of the glazed door without any extra decorative elements is a perfect fit for all chimneys and any type of interior.

But don't be fooled, this simplicity is only on the surface. Complying with the most stringent European standards, both in terms of safety and the environment, the INFIRE range is really packed with technology. Able to burn dry wood, briquettes, and even coal on certain models, with equal ease it can also boast exceptional output and very easy maintenance.

It gives a new definition of comfort and perfection to your interior.



**INFIRE 603/604
683/684
743/744**

The models in the Infire range come in a wide variety of sizes so you will find one which can easily be installed into any type of interior. From the most compact to the most spacious, all the models offer the best view of the fire and a really incredible heating power.

The Infire 603, 683 and 743 have a 3-sided frame and the 604, 684 and 744, a 4-sided.

Efficiency : 74% (600) - 72% (680 - 740)
CO Emissions : 0,25% (600) - 0,09% (680 et 740)
Dust Emissions (mg/N³) : 82(600) - 73 (680 et 740)
Diagrams and technical details are on page 44



INFIRE 744

Produced by : Ludovic Sohet - ASJ Concept



INFIRE 1004

INFIRE 1003/1004

The INFIRE 1000 has stunning dimensions which break new boundaries in the way in which we can control fire. Its dimensions and performance are like no other and this 'top of the range' appliance would particularly suit larger living spaces.

The integral convection system will ensure that even the furthest corners of the room will benefit from its heating capabilities.

Efficiency : 71% • CO Emissions : 0,12% • Dust Emissions (mg/N³) : 16
Diagrams and technical details are on page 45

infire

INFIRE 800 GREEN

The INFIRE 800 GREEN belongs to the very latest generation of wood-burning fireplaces developed by BG engineers, which also includes the Design 800 green and the Optifire 800 green. Its brand new combustion principle makes it possible to achieve exceptional results in terms of CO emissions and efficiency.

The fascia is available in two finishes – traditional painted metal or black glass – The INFIRE 800 GREEN hosts a multitude of technical developments such as an external air inlet, perfect air tightness which make it compatible with passive houses, integral convection fans and the possibility to control direction of ducted heat. (see technical diagram for the optifire green on page 24)

You therefore have a contemporary appliance with exceptional efficiency and ecological performance.

Efficiency : 75,5%
CO Emissions : 0,02%
Dust Emissions (mg/N³) : 63
Diagrams and technical details are on page 45



INFIRE 800 GREEN (metallic look)



INFIRE 800 GREEN (screen version)

infire



Produced by : Atelier d'architecture Grondal - Eric Grondal

FUEGO

The FUEGO is the exception of the Infire range because it is not a built-in fireplace but a stylish stove fixed on a decorative large chimney piece. It has an original design which will equally please enthusiasts of modern but also rural styles; it is also a powerful heating appliance benefitting from all the advantages of the Infire fireplaces.

Efficiency : 72% • CO Emissions : 0,09% • Dust Emissions (mg/N³) : 73
Diagrams and technical details are on page 45

FUNNY-FIRE

Because luxury should not always cost the earth, BG have developed the FUNNY FIRE, a simplified insert which does not compromise on efficiency, safety or aesthetics.

Diagrams and technical details are on page 45



Produced by : Pascal Lambert

WOOD

infire



Produced by : Dupont Martine

PRISMA

PRISMA

Easy to recognise due to its wide 3-sided window, the PRISMA is a classic in the Infire range. Thanks to this particular aspect of its design you can enjoy an incomparable view of the fire from wherever you are in the room.

On its own, this stylish fireplace captures our fifty years of experience and research in the manufacture of heating appliances.

Efficiency : 72% • CO Emissions : 0,09% • Dust Emissions (mg/N³) : 73
Diagrams and technical details are on page 45



Produced by : Philippe Bosquée

INFIRE 745 SCOPE

INFIRE 745 SCOPE

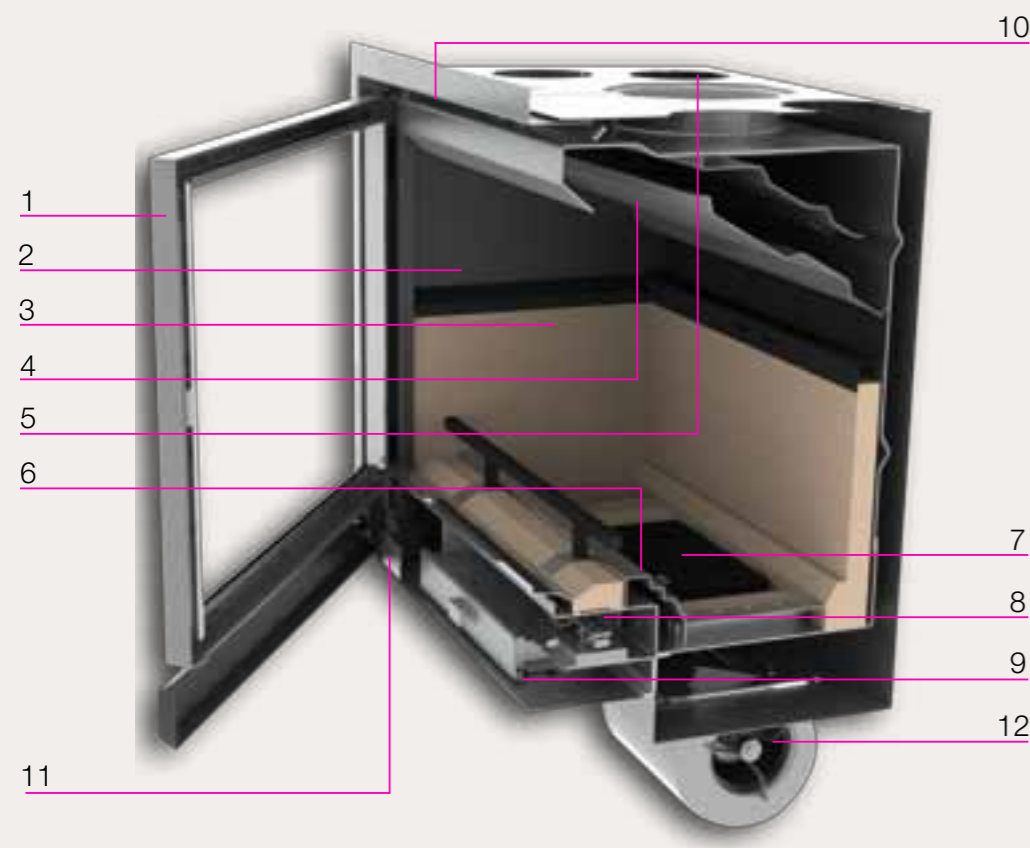
The INFIRE 745 SCOPE is a panoramic corner appliance, from the left or right, from head on or from the side, it provides a generous view of the flames.

Equipped with all the fittings of the range, it will define your interior with both its gentle warmth and its original, characteristic style.

Efficiency : 72% • CO Emissions : 0,09% • Dust Emissions (mg/N³) : 73
Diagrams and technical details are on page 46

infire

How do OPTIFIRE fireplaces work?



1 The door mainly glazed and fitted with hardwearing stainless steel gaskets, which ensure that it is perfectly and continuously airtight. Its optimal smoke control helps you to keep the window clean.

2 The combustion chamber, deep and made of high quality steel it guarantees that the heat is distributed quickly.

3 The inside reinforced with either firebrick, vermiculite or in fireproof cast-iron plates, ensures a higher combustion temperature and/or long-lasting thermal inertia.

4 The adjustable baffles ensure almost total combustion, maximum output and better power. As it is easy to remove, cleaning the chimney is not a problem.

5 The extraction vents allow the hot air to be distributed to other rooms in the house.

6 The air distributors ensures an ideal combustion of the logs throughout their entire duration.

7 The combustion grates are highly resistant; they allow efficient deashing and an optimal performance for burning both wood and coal.

8 The thermostat ensures a consistent temperature, minimal consumption and a long-lasting fire.

9 The ashtray is easily accessible and allows simple and fast removal of the ashes.

10 A pivoting valve allows you to regulate the hot air coming from the top of the fireplace and redirect it toward the pipes which will take the heat to other rooms.

(An option for the 700 and 760. Stop air is an option for the 1000 and Design 1000)

11 The temperature switch (thermoswitch) automatically starts and stops the fan depending on the heat of the fire. A door switch stops the fan when the door is opened.

Option

12 A centrifugal fan, adjustable with an electronic speed regulator, guarantees silent yet powerful ventilation so that the heat is spread quickly throughout your home.

The optifire range

The fireplaces in the OPTIFIRE range with their refined looks will instantly catch your eye. With models that vary from traditional styling through to discreet fascias and even frameless finishes, there is an appliance to suit everyone. Able to burn wood, briquettes and even coal on certain models, they boast exceptional performance, control and ease of maintenance.

The powerful convection fan is optional, but when selected, it will heat 750m³ of air per hour. This extra performance means that even the largest living spaces can benefit from the OPTIFIRE.

The very best in design technology is incorporated into the OPTIFIRE, and with new generation 'green' models available, the range continues to push the boundaries of fireplace efficiency.





OPTIFIRE 764 with frame 4 mm

OPTIFIRE 703/704 - 763/764

These standard models in the Optifire range ensure an optimal heating power in a minimal space. They will comfortably find their place in your interior and from anywhere in the room you will have the perfect view of the fire.

The Optifire 703 and 763 have a 3-sided frame and the 704 and 764 have 4-sided frames.

Efficiency : 72% (700) - 71% (760) • CO Emissions : 0,10% (700) - 0,12% (760) • Dust Emissions (mg/N³) : 61 (700) - 16 (760)
Diagrams and technical details are on page 46



OPTIFIRE 764 D

OPTIFIRE 763/764 D

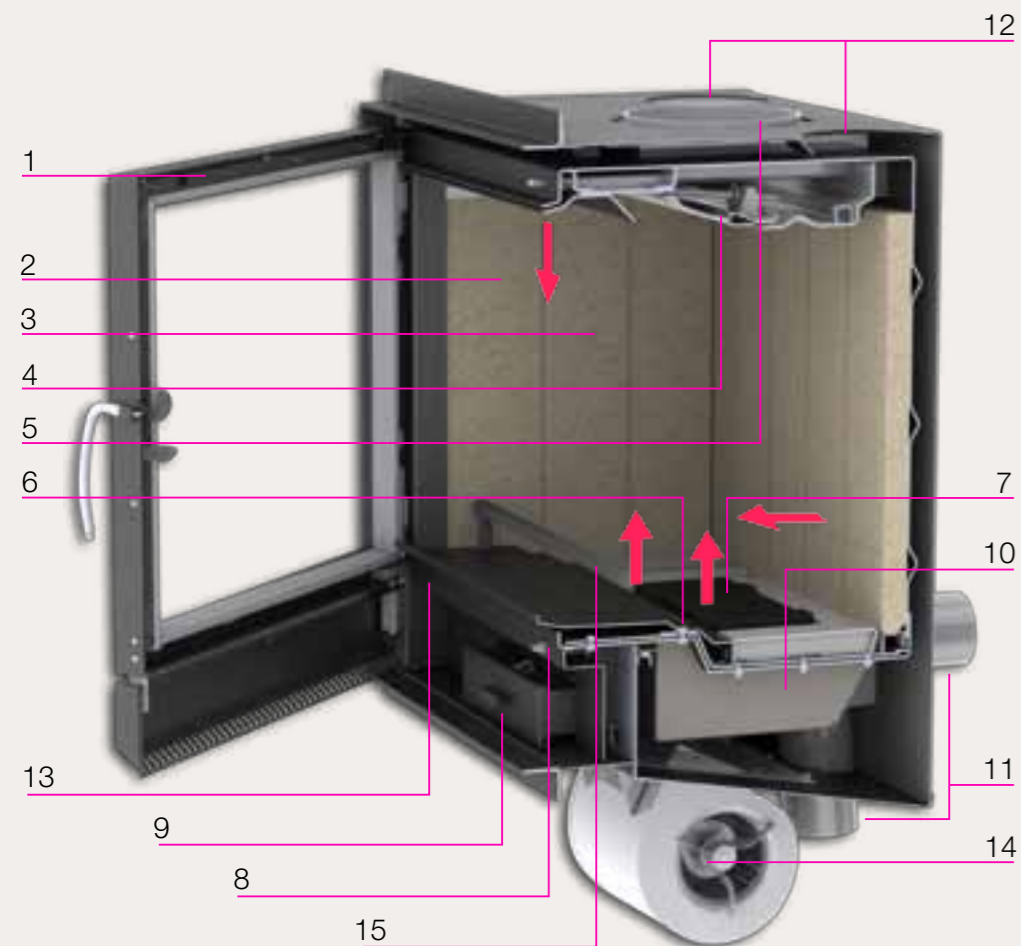
By choosing this top of the range model, you will have the perfect multi-fuel burning fire. Its two sides provide the comfort of a perfect view and the doors can be made with flat or rounded glass. It distributes hot air perfectly around the room thanks to its optional silent and powerful fan which you can direct as you like towards either side.

The Optifire 763 D has a 3 sided frame and the 764D has a 4 sided frame.

Efficiency : 70% • CO Emissions : 0,19% • Dust Emissions (mg/N³) : 45
Diagrams and technical details are on page 46

optifire

How does the OPTIFIRE green work?



- 1 **The door** mainly glazed and fitted with hardwearing stainless steel gaskets, which ensure that it is perfectly and continuously airtight. Its optimal smoke control helps you to keep the window clean.
- 2 **The combustion chamber**, made of high quality steel it guarantees that the heat is distributed quickly.
- 3 **The inside reinforced**, in Skamolex or deco metal, ensures a higher combustion temperature.
- 4 **The adjustable baffle** ensures almost total combustion, maximum output, adaptation of the appliance to the chimney draught and a high power. Easy to remove, cleaning the chimney is not a problem.
- 5 **The hot air outlets** even wider allow the hot air to be distributed to other rooms in the house.
- 6 **The air distributor** ensures an ideal combustion of the logs throughout their entire duration.
- 7 **Transfer of combustion** air inside the heating unit through 4 separate areas (air distributors and ducts: see arrows). **The combustion grates** are highly resistant; they allow efficient deashing (Optifire 700, 760 and 800 green).
- 8 **The thermostat** ensures a consistent temperature, minimal consumption and a long-lasting fire.
- 9 **The internal ashtray** is easily accessible and allows simple and fast removal of the ashes (Optifire 700, 760 and 800 green). It is replaced with an external ash pan (dust pan) on Design models.
- 10 **The air admission box** is entirely airtight.
- 11 Outside **air intakes**. Inside air intake is also possible.
- 12 **Closing valves** for hot air outlets.
- 13 **The temperature switch (thermoswitch)** automatically starts and stops the fan depending on the heat of the fire. A door switch stops the fan when the door is opened.

Options

- 14 **A centrifugal fan**, adjustable with an electronic speed regulator, guarantees silent yet powerful ventilation so that the heat is spread quickly throughout your home.
- 15 **Log retainer kit.**



This operating principle is also valid for the Optifire 700/760/800 green, Design 700/760/800 green, Infire 800 green and soon Optifire 1000 green and Design 1000 green.



OPTIFIRE 760 GREEN (screen version)

OPTIFIRE 700/760 GREEN

In line with the commitment to ecological concerns and a rich pedigree of innovation, BG has incorporated its 'Green' credentials to the majority of its wood-burning fireplaces. Exceptional appliances of the current, and future, generations.

The OPTIFIRE 700/760 Green deliver performance that belies their size, and they will comfortably fit in any living space.

Two versions of fascia finish are available, either painted metal or black glass.

Efficiency : >75%
CO Emissions : <0,12%
Dust Emissions (mg/N³) : <60
Diagrams and technical details are on page 47



OPTIFIRE 760 GREEN (screen look)



OPTIFIRE 700 GREEN (metal look)

Produced by : Sebastien Cruyt Bur. Synergy



DESIGN 760 GREEN

DESIGN 700/760 GREEN

With the same technical characteristics as the OPTIFIRE 700/760 GREEN the 700/760 GREEN DESIGN has no ashpan door, which gives a complete view of the fire through the door. This unrestricted panorama delivers a stunning visual focal point.

Efficiency : >75% • CO Emissions : <0,12% • Dust Emissions : (mg/N³) : <60
Diagrams and technical details are on page 47



OPTIFIRE 800 GREEN

The pinnacle of the BG 'green' range, the OPTIFIRE 800 GREEN continues to enjoy unrivalled success since its original launch in 2009. Characterised by exceptional eco-friendly performance, emitting less than 0.02% CO this product sets the standard for 'green' wood-burning fireplaces.

There are two fascia finishes available, either painted metal or black glass.

Efficiency : 75,5%
CO Emissions : 0,02%
Dust Emissions (mg/N³): 63
Diagrams and technical details are on page 47



OPTIFIRE 800 GREEN (metal look)



OPTIFIRE 800 GREEN (screen look)

Produced by : Jean Pierre Navez



DESIGN 800 GREEN

Contemporary styled version of the famous OPTIFIRE 800 GREEN, enjoying the same outstanding performance as its famous predecessor, the 800 GREEN DESIGN is particularly suited to very contemporary interiors. Without the ashpan door, the flame picture is completely unrestricted and stunning.

Efficiency : 75,5%
CO Emissions : 0,02%
Dust Emissions (mg/N³): 63
Diagrams and technical details are on page 48





OPTIFIRE 1000 GREEN (metal look)



OPTIFIRE 1000 GREEN (screen look)

NEW OPTIFIRE / DESIGN 1000 GREEN

GREEN VERSION COMING SOON!

Major development for 2012, the 1000 OPTIFIRE GREEN and the 1000 DESIGN GREEN will now benefit from the famous 'green' label.

Larger homes will enjoy the high output and ecological considerations and this 'top of the range' product will become the main focal point in such properties.

From an esthetic point of view, the OPTIFIRE 1000 is available in 2 versions : metal or screen while the DESIGN 1000 (without underdoor in frontage) concentrates its pure line on the only panoramic vision of fire.

Efficiency : 71% *

CO Emissions : 0,12% *

Dust Emissions (mg/N³) : 16 *

Diagrams and technical details are on page 48

* Optifire / Design 1000

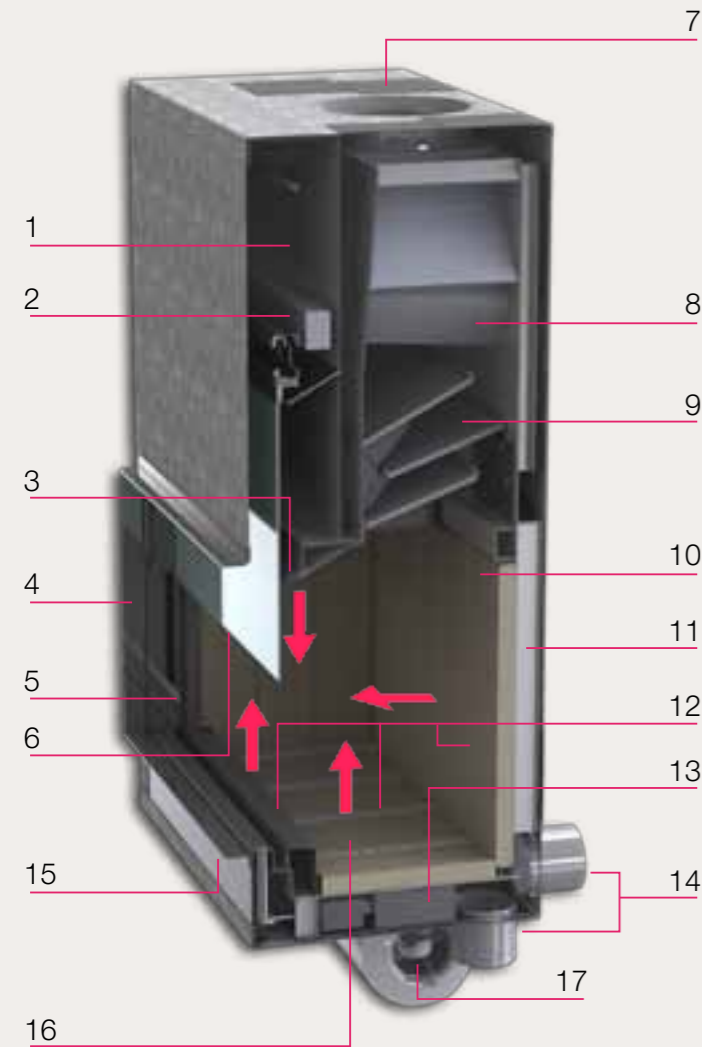


DESIGN 1000 GREEN



optifire

How does the PHENIX fireplaces work?



- 1 **Mechanism** of telescopic chains and counterweights, using free bearings.
- 2 **Runner** fitted with Eriflon rollers, ensuring absolute silence in operation thanks to a very low friction factor. No lubrication required.
- 3 **Smoke clearing** from the window using preheated air.
- 4 **Airtight** thanks to a special system of guides.
- 5 **Door** can be opened by swinging out; this facilitates cleaning.
- 6 **Absence of metal below the window**, allowing a more unrestricted view of the fire. Facility to leave the window in half-open position.
- 7 **Multiple intakes** for convection air and 150 mm diameter hot-air outlets.
- 8 **Extra heat** recovery.
- 9 **3 adjustable baffle plates and one fixed** allow maximum heat recovery and adjustment of the appliance to the draw of each chimney.
- 10 **Inside covering** with Skamolex or black metal. The base is protected by firebricks.
- 11 **Spacious heat-exchanger** (3.96m² in the case of Phenix 120). Facilitates thermal exchange.
- 12 **Transfer of combustion** air inside the heating unit through 4 separate areas (air distributors and ducts: see arrows).
- 13 **A thermostat** allows manual and automatic fire regulation. Heat is more regular and wood consumption lower.
- 14 **External air supply** through the back or base of the appliance (diam. 110mm).

Options

- 15 **3 models** of frame finish: 4 x 40 mm ; 4 x 80 mm and 30 mm.
- 16 **Raised grate** for those wishing to appreciate the entire depth of the logs.
- 17 **Ventilation** 750 m³/h.
- 18 **Feet** for raising the height of the fireplace.

The phenix range

With a retractable door the fireplaces in the PHENIX range act as two wood-burning heating appliances in one.

When the door is retracted you get all the advantages of the warmth of an open roaring fire. The flames pleasantly crackle in your room, giving off that incomparable smell of a wood fire, taking you back to the hearths of times gone by.

When the door is closed you still get a complete view of the fire thanks to the panoramic glass, yet you will also have the advantage of an appliance with an optimal output and exceptional heating power.

PHENIX fireplaces, there is twice as much enjoyment to share!

And with its all new "green" range appliances, BG is entering the new age of lifting screen fireplaces.





PHENIX 75 GREEN (Skamolex surround)

PHENIX 75/85 GREEN

With the all new PHENIX GREEN range, BG is revolutionising the concept of lifting screen fireplaces... loads of eco-friendly technology for intense flames in all conditions!

The 75 and 85 models – the most compact in the range – have pleasant slender proportions providing an incomparable view of the dazzling dancing flames. Both open and closed, they find the space to greatly improve and brighten up your home.

Efficiency : 82% (75) - 77% (85)
CO Emissions : 0,09%
Dust Emissions (mg/N³) : 30
Diagrams and technical details are on page 48-49



PHENIX 85 GREEN Skamolex surround

Produced by : Grondal



PHENIX 95 GREEN Skamolex surround

The Phenix 95 and 120 GREEN, equipped with a lanscape picture window, the appliance focuses solely on the view of the fire. They have been subtly designed with sophisticated and clean lines around the large glass viewing window.

You can focus on the beauty of the flame which will light up your home, whilst the fireplace provides you with pleasant and comforting warmth.

Efficiency : 76% • CO Emissions : 0,09% • Dust Emissions (mg/N³) : 50 (95) - 31 (120)
Diagrams and technical details are on page 49



Produced by : Crahay et Jambagne

PHENIX 95/120 GREEN



PHENIX 120 GREEN (bottom black metal)

PHENIX 860C

The warm atmosphere of your home reaches new heights with the Phenix corner. The fire is at the heart of your home and becomes the central feature. When the windows are raised up, the soft crackling of the fireplace calms you down as the flames pleasantly glow. When the windows are lowered, the appliance reaches its full output and its comfortable warmth uniformly spreads out.

Efficiency : >70%
CO Emissions : <0,3%
Dust Emissions (mg/N³) : <100
Diagrams and technical details are on page 49



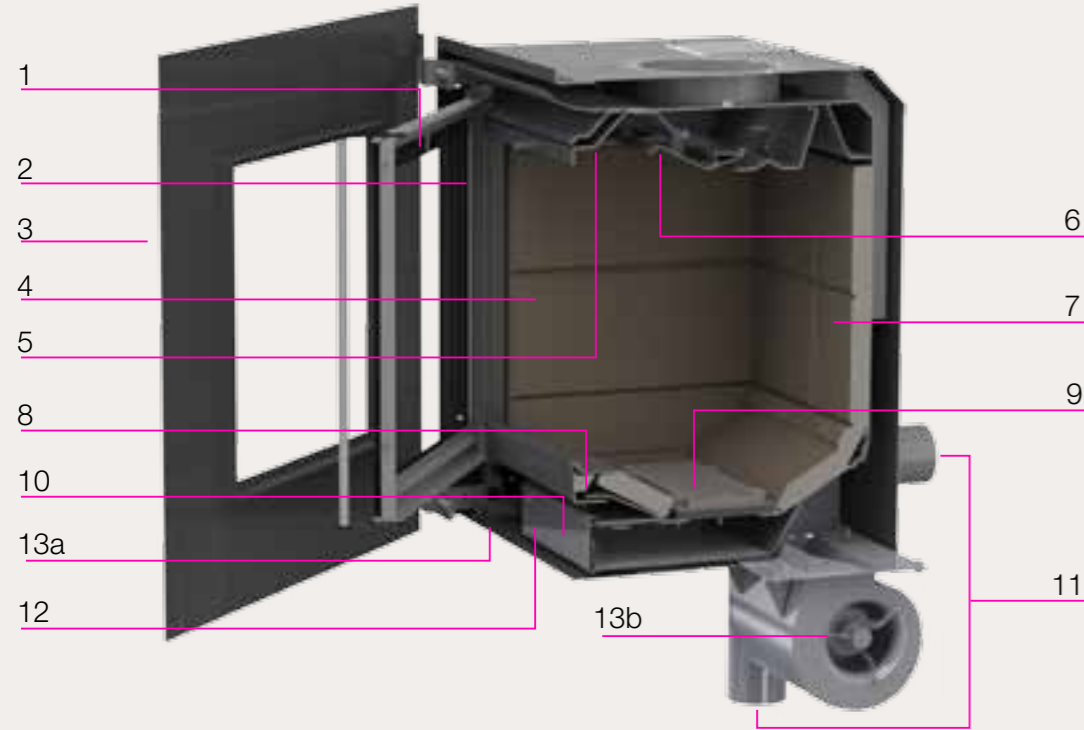
PHENIX 860C

Produced by : Liègeois

WOOD

phenix

How does the sd442 green fireplace work?



- 1 **The door**, mainly made of glass, is fitted with hardwearing stainless steel gaskets, ensuring that it is perfectly and continuously airtight. The optimal smoke control helps you to keep the glass clean.
- 2 **The retractable mechanism** of the door is practical and is always easy to access.
- 3 **The finishing frame**, available in many versions (see page 44), personalises your fireplace and conceals the mechanism.
- 4 **The combustion chamber**, deep and made of high quality steel, it guarantees quick heat distribution.
- 5 **The baffle** ensures almost total combustion, maximum output and better power. Easy to remove, there is no problem with cleaning the chimney.
- 6 **The automatic key** opens wide to prevent backdraft when used as an open fire.
- 7 **The inside reinforced** with vermiculite ensures a high combustion temperature.
- 8 **The thermostat** provides a constant temperature, minimal consumption and a long-lasting fire.
- 9 **The combustion grates** are highly resistant and allow effective deashing.
- 10 **The ashtray** is easy to access and allows the ashes to be easily and quickly removed.
- 11 **External air supply** through the back or base of the appliance (diam. 90mm)
- 12 **The temperature switch (thermoswitch)** automatically starts and stops the fan depending on the heat of the fireplace.

Option

- 13 **An internal cross-flow fan (13a) or a centrifugal fan (13b)**, adjustable with an electronic speed regulator, guarantees silent and powerful ventilation so that the heat is quickly distributed throughout your home.

The SD442

The SD442 green has revolutionised the concept of fireplaces with retractable doors by introducing an appliance unique to the world, the door is hidden on the side of the heating unit and no longer on top. This technical feature allows it to be installed very easily into an existing chimney, without knocking down the wall.

With one twist of your hand, your insert turns into an open fire, instantly letting the real wood fire work its incomparable charm.

Ultra compact, the SD442 green can easily be installed into many places that you would never have even thought of: offices, kitchens, verandas, and bedrooms. It transcends your space thanks to the magic of its lively flames.



SD442 green with black ceramic glass frame

SD442 green

Although this fireplace has a sideways retractable door, it also has an external air intake which makes it extremely air tight and perfect for use in a passive or low energy house.

This unique feature means that this fireplace has serious heating capabilities with the door closed.

The new version for 2012 features a closer fitting door and black ceramic glass frame option.

The SD442 green has three decorative options to make it even more attractive, which are easily interchangeable, even after several years :

- A small metal frame
- An anthracite metal door which creates a log store beneath the fireplace
- A black ceramic glass frame

Even with all these benefits the SD442 green remains less expensive than a conventional retractable door fireplace.

Efficiency : 76% • CO Emissions : 0,08% • Dust Emissions (mg/N³) : 48
Diagrams and technical details are on page 49



SD442 green with metal door



SD442 green (with black ceramic glass frame)

Produced by : Jean-Francois Roger France



P.12

Built-in multi-fuel (wood and coal) fireplace with an integrated fan.



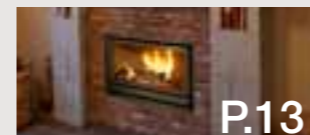
P.12

Built-in multi-fuel (wood and coal) fireplace with an integrated fan.



P.12

Built-in multi-fuel (wood and coal) fireplace with an integrated fan.



P.13

Built-in wood fireplace with an integrated fan.



P.14

Built-in wood-burning fireplace with an internal fan and an external air intake.



P.16

External multi-fuel (wood-coal) fireplace, not built-in, with an integrated fan.



P.17

Built-in wood fireplace.



P.18

Built-in multi-fuel (wood and coal) fireplace with an integrated fan.

Front dimensions

668 x 537,5 mm (603)
668 x 574 mm (604)

744 x 591,5 mm (683)
744 x 628 mm (684)

804 x 631,5 mm (743)
804 x 668 mm (744)

1066 x 641 mm (1003)
1066 x 668 mm (1004)

801 x 621 mm (4 mm 4-sided frame)
849 x 670 mm (30 mm 4-sided frame)
849 x 640 mm (30 mm 3-sided frame)

786 x 649 mm

748 x 578,5 mm (with frame)

806 x 646,5 mm (with frame)

Window dimensions

481 x 272 mm

541 x 326 mm

601 x 366 mm

384 x 882 mm

665 x 384 mm

601 x 366 mm

532 x 308 mm

614 x 370 mm

Fitting dimensions

600 x 420 x 504 mm

680 x 428 x 560 mm

740 x 600 x 428 mm

1021 x 498 x 622 mm

803 x 496 x 623 mm

786 x 451 x 649 mm

660 x 411 x 535 mm

728 x 390 x 600 mm

Weight

90 Kg

95 Kg

110 Kg

169 Kg

130 Kg

160 Kg

77 Kg

114 Kg

Nominal power

8 kW

9 kW

10 kW

14 kW

13 kW

10 kW

7 kW

10 kW

Effective power with ventilation

Mini : 5 kW / Maxi : 10 kW

Mini : 5,5 kW / Maxi : 11 kW

Mini : 6 kW / Maxi : 12 kW

Mini : 8,5 kW / Maxi : 17 kW

Mini : 8 kW / Maxi : 16 kW

Mini : 6 kW / Maxi : 12 kW

Mini : 4 kW / Maxi : 8 kW

Mini : 6 kW / Maxi : 12 kW

Diameter of exit

150 mm

180 mm

180 mm

200 mm

200 mm

180 mm

180 mm

180 mm

Smoke vent distance - back

122 mm

146 mm

146 mm

165 mm

190 mm

167 mm

156,5 mm

153 mm

Options

The Infire 603 has a 39 mm 3-sided frame and the 604 has a 39 mm 4-sided one. Cast-iron set available. Stop air.

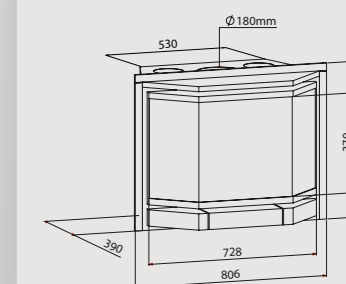
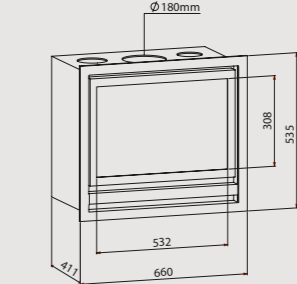
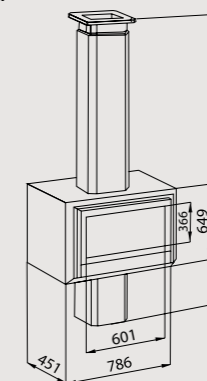
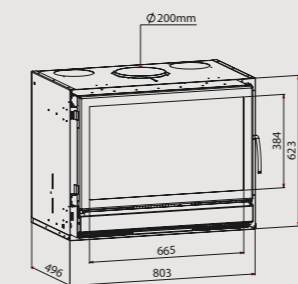
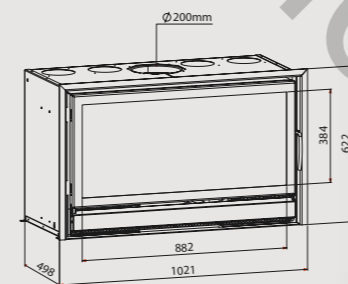
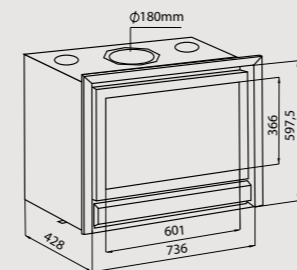
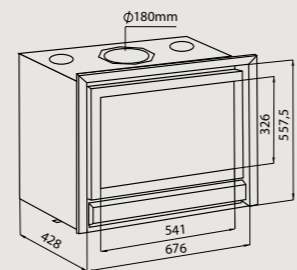
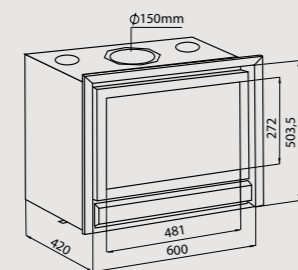
The Infire 683 has a 39 mm 3-sided frame and the 684 has a 39 or 4 mm 4-sided one. Cast-iron set available. Stop air.

The Infire 743 has a 39 mm 3-sided frame and the 744 has a 39 or 4 mm 4-sided one. Cast-iron set available. Stop air.

The Infire 1003 has a 30 mm 3-sided frame and the 1004 has a 30 mm 4-sided one.

3 frames available : 4 mm 4-sided frame, 30 mm 4-sided frame, 30 mm 3-sided frame. Two versions available: the screen look or the conventional metallic look.

A back Fuego is available. A decentred top-plate is also available.

Technical diagrams

INFIRE 745
SCOPE

OPTIFIRE 703/704

OPTIFIRE 763/764

OPTIFIRE 763/
764 D

OPTIFIRE 700
GREEN

OPTIFIRE 760
GREEN

DESIGN 700
GREEN

DESIGN 760
GREEN

OPTIFIRE 800
GREEN



P.19

Built-in wood-burning corner fireplace with an integrated fan. Left or right model.



P.22

Built-in multi-fuel fireplace with an optional external fan and external air intake.



P.22

Built-in multi-fuel fireplace with an optional external fan and external air intake.



P.23

Two-sided built-in multi-fuel fireplace with an optional external fan.



P.26

Built-in wood-burning fireplace with an optional external fan and external air intake.



P.26

Built-in wood-burning fireplace with an optional external fan and external air intake.



P.27

Built-in wood-burning fireplace with an optional external fan and external air intake.



P.27

Built-in wood-burning fireplace with an optional external fan and external air intake.



P.28

Built-in wood-burning fireplace with an optional external fan. Ecological fireplace: less than 0.02% CO emissions.

Front dimensions

745 x 600 mm (without frame)
782,5 x 635 mm (with 4-sided frame)
782,5 x 671 mm (with 6-sided frame)

701 x 701 mm (frame 4 mm)
749 x 720 mm (frame 30 mm 3-sided)
749 x 750 mm (frame 30 mm 4-sided)

761 x 701 mm (frame 4 mm)
809 x 720 mm (frame 30 mm 3-sided)
809 x 750 mm (frame 30 mm 4-sided)

821 x 702 mm (763)
879 x 731,5 mm (764)

701 x 701 mm (frame 4 mm)
749 x 720 mm (frame 30 mm 3-sided)
749 x 750 mm (frame 30 mm 4-sided)

761 x 701 mm (frame 4 mm)
809 x 720 mm (frame 30 mm 3-sided)
809 x 750 mm (frame 30 mm 4-sided)

701 x 604,5 mm

761 x 604,5 mm

801 x 621 mm (frame 4 mm)
849 x 670 mm (frame 30 mm)

Window dimensions

674 x 370 + 348 x 370 mm

565 x 464 mm

625 x 464 mm

632 x 462 mm

565 x 464 mm

625 x 464 mm

565 x 464 mm

625 x 464 mm

390 x 665 mm

Fitting dimensions

745 x 477 x 600 mm

703,6 x 474,5 x 783 mm

763,6 x 503,5 x 783 mm

759 x 527 x 838 mm

703,6 x 474,5 x 783 mm

763,6 x 503,5 x 783 mm

703,6 x 503,5 x 783 mm

736,6 x 503,5 x 783 mm

804 x 503,5 x 703 mm

Weight

115 Kg

125 Kg

144 Kg

158 Kg

125 Kg

144 Kg

135 Kg

135 Kg

141 Kg

Nominal power

10 kW

10 - 13,5 kW

12 - 14 kW

8 - 10 kW

10 - 13,5 kW

12 - 14 kW

10 - 13,5 kW

12 - 14 kW

13 - 15 kW

Effective power with ventilation

Mini : 5,5 kW / Maxi : 11 kW

Mini : 3,37 kW / Maxi : 16,87 kW

Mini : 4 kW / Maxi : 18 kW

Mini : 6 kW / Maxi : 12 kW

Mini : 8,5 kW / Maxi : 17 kW

Mini : 9 kW / Maxi : 18 kW

Mini : 8,5 kW / Maxi : 17 kW

Mini : 9 kW / Maxi : 18 kW

Mini : 9 kW / Maxi : 18 kW

Diameter of exit

200 mm

200 mm

200 mm

200 mm

200 mm

200 mm

200 mm

200 mm

200 mm

Smoke vent distance - back

180 mm

190 mm

190 mm

263 mm

190 mm

190 mm

190 mm

190 mm

188,4 mm

Options

4 or 6-sided frame available.

Two versions available: glazed look (screen) or metallic look. Inside reinforced in Skamolex or deco metal. 4 or 30 mm 4-sided frame or 30 mm 3-sided frame. 750 m³/h ventilation kit. Log retainer available.

Two versions available: glazed look (screen) or metallic look. Inside reinforced in Skamolex or deco metal. 4 or 30 mm 4-sided frame or 30 mm 3-sided frame. 750 m³/h ventilation kit. Log retainer available.

The Optifire 763 has a 30 mm 3-sided frame and the 764 D has a 73 or 4 mm 4-sided one. Flat or rounded glass panes available. 750 m³/h ventilation kit. Flap kit available.

Two versions available: glazed look (screen) or metallic look. Inside reinforced in Skamolex or deco metal. 4 or 30 mm 4-sided frame or 30 mm 3-sided frame. 750 m³/h ventilation kit. Log retainer available.

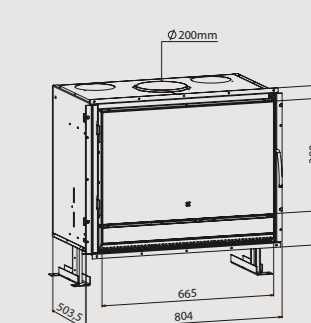
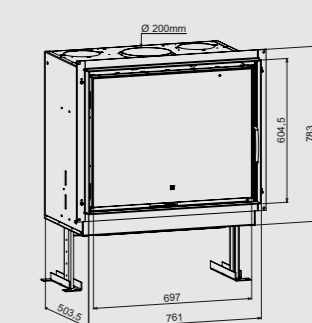
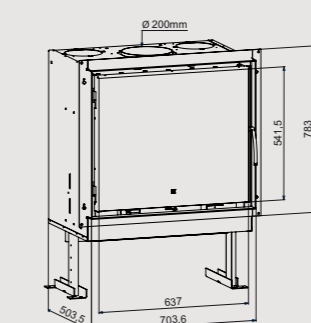
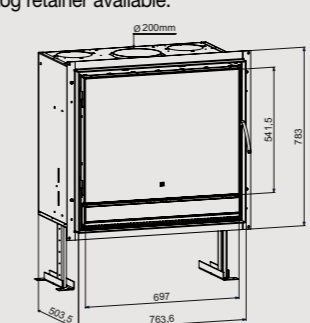
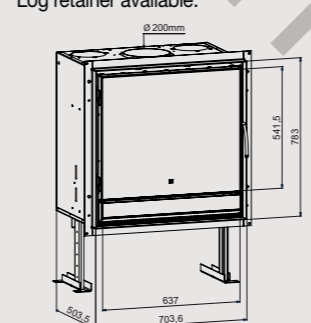
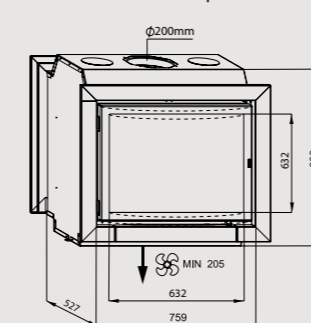
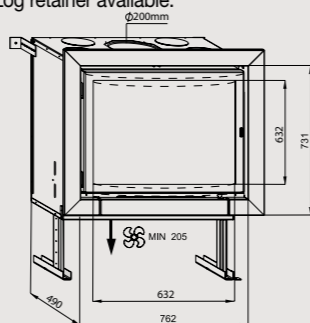
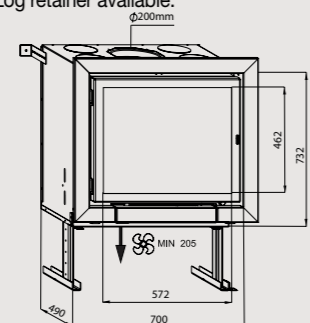
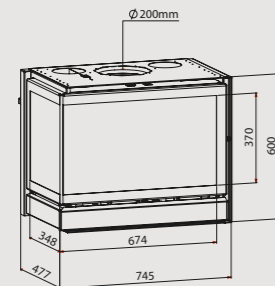
Two versions available: glazed look (screen) or metallic look. Inside reinforced in Skamolex or deco metal. 4 or 30 mm 4-sided frame or 30 mm 3-sided frame. 750 m³/h ventilation kit. Log retainer available.

4 mm frame. Ventilation kit 750m³/h. Log retainer available. Inside reinforced in Skamolex or deco metal.

4 mm frame. Ventilation kit 750m³/h. Log retainer available. Inside reinforced in Skamolex or deco metal.

Two versions available: glazed look (screen) or conventional metallic look. 4 or 30 mm 4-sided frame. Log retainer available.

Technical diagrams



DESIGN 800
GREEN

OPTIFIRE 1000
GREEN *

DESIGN 1000
GREEN *

PHENIX 75
GREEN

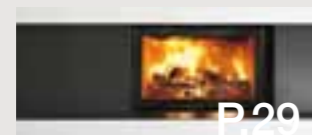
PHENIX 85
GREEN

PHENIX 95
GREEN

PHENIX 120
GREEN

PHENIX 860 C

SD 442
GREEN



P.29

Built-in wood-burning fireplace with an optional external fan and external air intake.



P.30

Built-in wood-burning fireplace with an optional external fan and external air intake.



P.31

Built-in wood-burning fireplace with an optional external fan and external air intake.



P.34

Built-in wood-burning fireplace with a retractable door and an optional external fan. External air intake.



P.35

Built-in wood-burning fireplace with a retractable door and an optional external fan. External air intake.



P.36

Built-in wood-burning fireplace with a retractable door and an optional external fan. External air intake.



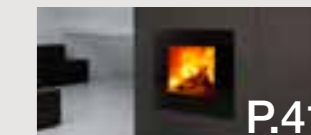
P.37

Built-in wood-burning fireplace with a retractable door and an optional external fan. External air intake.



P.38

Built-in wood-burning corner fireplace with a retractable door and an optional external fan. Right or left model.



P.41

Built-in wood-burning fireplace with a laterally retractable door and an optional external fan. External air intake.

Front dimensions

801 x 524,5 mm (with frame)

1049 x 643 mm (frame 30 mm 3-sided)
1049 x 670 mm (frame 30 mm 4-sided)
1001 x 621 mm (frame 4 mm 4-sided)

1001 x 524,5 mm (frame 4 mm 4-sided)

607 x 486 mm (without frame)
615 x 494 mm (frame 4 mm)
621 x 509 mm (frame 30 mm)

707 x 606 mm (without frame)
715 x 614 mm (frame 4 mm)
721 x 629 mm (frame 30 mm)

807 x 486 mm (without frame)
815 x 494 mm (frame 4 mm)
821 x 509 mm (frame 30 mm)

1057 x 486 mm (without frame)
1065 x 494 mm (frame 4 mm)
1071 x 509 mm (frame 30 mm)

744 x 464 mm

746 x 745 mm (with small frame or for other finish)
802 x 1482 mm (with high frame)

Window dimensions

737 x 461 mm

467,5 x 967 mm

467,5 x 967 mm

444 x 535 mm

564 x 635 mm

444 x 735 mm

444 x 985 mm

744 x 464 + 323 x 464 mm

442 x 442 mm

Fitting dimensions

804 x 504 x 703 mm

1022 x 500 x 664 mm

1020 x 500 x 666 mm

750 x 508 x 1335 mm

850 x 508 x 1574 mm

950 x 508 x 1335 mm

1200 x 508 x 1335 mm

870 x 458 x 1318,5 mm

702 x 503 x 711 mm

Weight

135 Kg

169 Kg

169 Kg

225 Kg

269 Kg

275 Kg

306 Kg

190 Kg

130 Kg

Nominal power

13 - 15 kW

12 - 16 kW

12 - 16 kW

9 - 11 kW

10,5 - 12,5 kW

11,5 - 13,5 kW

15 - 17 kW

8 - 10 kW

8 - 10 kW

Effective power with ventilation

Mini : 9 kW / Maxi : 18 kW

Mini : 10 kW / Maxi : 20 kW

Mini : 10 kW / Maxi : 20 kW

Mini : 7 kW / Maxi : 14 kW

Mini : 7,5 kW / Maxi : 15,5 kW

Mini : 8 kW / Maxi : 16 kW

Mini : 10 kW / Maxi : 20 kW

Mini : 6 kW / Maxi : 12,5 kW

Mini : 6 kW / Maxi : 12 kW

Diameter of exit

200 mm

200 mm

200 mm

200 mm

250 mm

250 mm

250 mm

250 mm

200 mm

Smoke vent distance - back

193 mm

165 mm

165 mm

156 mm

171 mm

171 mm

171 mm

155,8 mm

250 mm

Options

4 mm frame. Ventilation kit 750m³/h.

4 or 30 mm frame available. 750 m³/h ventilation kit. Stop air available.

* Technical data for the Optifire 1000.

4 or 30 mm frame. 3 specific decorative frames are available as an option (5 colours). 750 m³/h ventilation kit. Stop air available.

* Technical data for the Design 1000.

3 fitting frames available (30 mm - 4/80 et 4/40 mm). 750 m³/h ventilation kit. Feet sets are available. Inside reinforced in Skamolex or deco metal.

3 fitting frames available (30 mm - 4/80 et 4/40 mm). 750 m³/h ventilation kit. Feet sets are available. Inside reinforced in Skamolex or deco metal.

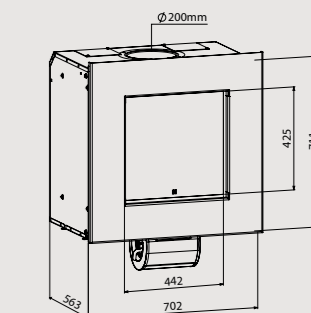
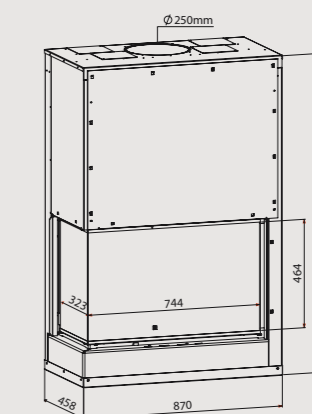
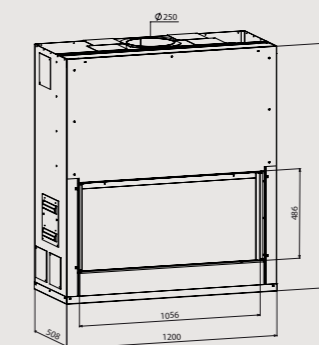
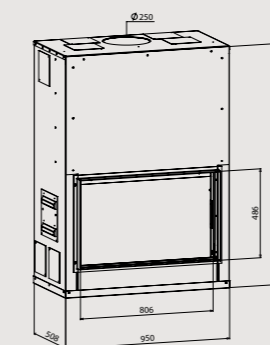
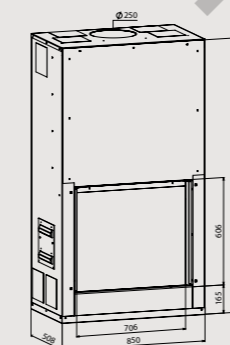
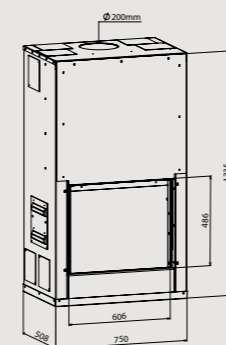
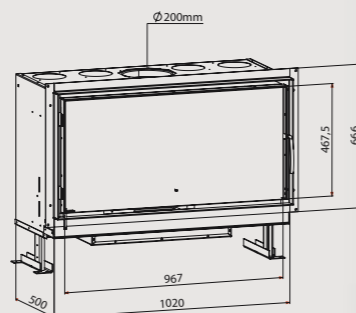
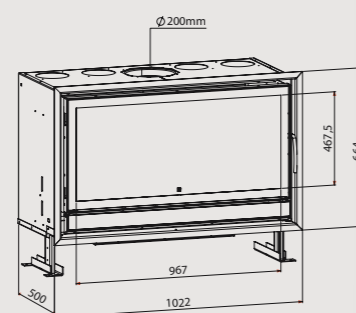
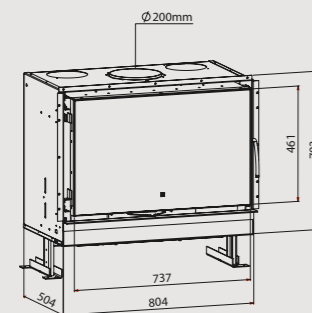
3 fitting frames available (30 mm - 4/80 et 4/40 mm). 750 m³/h ventilation kit. Feet sets are available. Inside reinforced in Skamolex or deco metal.

3 fitting frames available (30 mm - 4/80 et 4/40 mm). 750 m³/h ventilation kit. Feet sets are available. Inside reinforced in Skamolex or deco metal.

2 fitting frames available (4/80 et 4/40 mm). 750 m³/h ventilation kit.

Three versions of frame available (small metal frame-black ceramic glass frame-high metal frame). Kit hinges available. 240 m³/h or 750 m³/h ventilation kit. Sub frame.

Technical diagrams



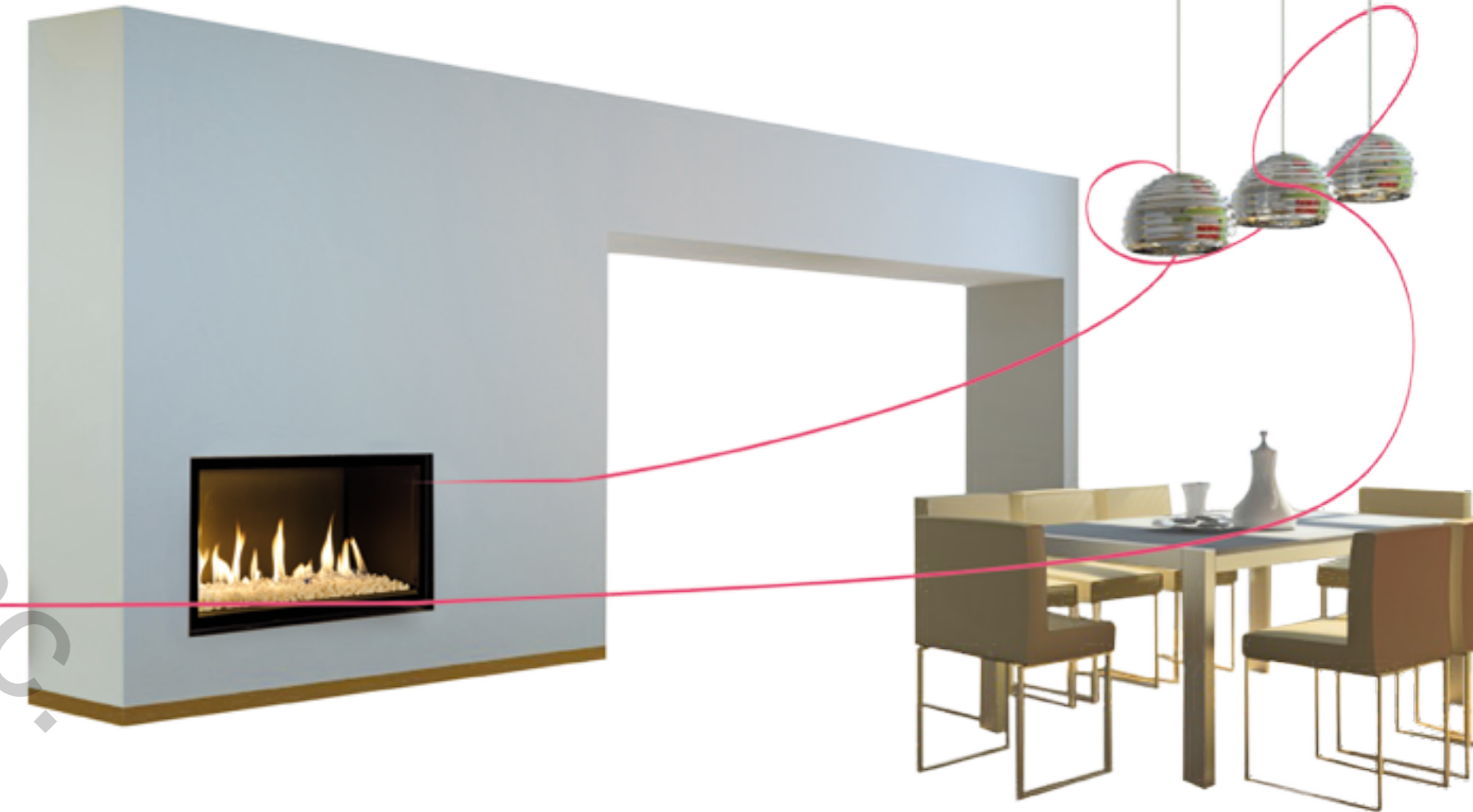
gas-burning fireplaces

BG's range of gas-burning fireplaces combines exceptional performance with bold design. They have a stunningly refined look, with calming, beautiful flames, but also act as a very powerful heating appliance.

With the exclusive remote control thermostat, the control of all of its functions is at your finger-tips.

BG's gas-burning fireplaces are perfectly airtight and do not intake air from the room, therefore there is absolutely no risk of CO poisoning (carbon monoxide). Furthermore, the many security systems directly installed in our appliances make our gas range one of the safest in the world.

For its aesthetical appearance, you can choose between a background of white, grey or black stones, or if you enjoy wood-burning fires you can select the decorative log kit, which is available as an option. Feel free to compare the different glazed backgrounds and see how they affect your view of the flames, or just go for one of the many decorative frames.



Doctor Flue inc.

How do BG gas-burning fireplaces work?

The whole range of BG gas-burning fireplaces are developed around the principle of suction-based airtight combustion. This way, they don't burn air from the room in which they are located. Instead they take it from outside thanks to an ingenious system of concentric ducts.

There are many advantages to this choice, such as the use of horizontal ducts or the extraction of exhaust gas through a wall. You also eliminate any risk of CO poisoning.

The cold air pulsed into the room warms when in contact with the fireplace and enters the room via the air vents, either naturally or using power ventilation.



Great technological progress

EES : no more restrictions

BG have a world-wide patent on their exclusive extraction system; it sets the installation of your fireplace free from all the traditional rules for installing exhaust ducts. It enables duct lengths to be up to 50m long, going down or in any direction!

EASIER YET LESS EXPENSIVE!

The EES reduces the diameter of pipes to 130mm. The installation will be much easier and therefore the cost will be greatly reduced!

The EES comes as standard for all the models in the gas range, compact and quiet, it is easy to install, to maintain and to connect!

Gas-burning fireplaces with EES are easy to use and come with a fully programmed remote control with different language facilities; it can also control the thermostatic or manual flame, or the safety temperature, ... A ventilation system is still available on some models.

NEW for 2012 : The EES 'Bi-flow'

Easier and less expensive !
The EES Bi-Flow system allows the installer to separate the route of combustion air ducting, from the route of waste products ducting.

Key advantages of this system are ;

- This means that combustion air can be provided directly with plastic ducting, which reduces cost.
- The ducting for waste products is reduced to 80mm, which is less expensive and much easier to install.

Overall, the 'Bi-flow' increases installation possibilities and reduces installation costs.



The Soft Heating System, a BG exclusive:

When you want to place a plasma screen over the fireplace, this system prevents heat from building up in the wall behind the screen thanks to an additional air vent that ejects it. The plasma screen can be used in complete safety!



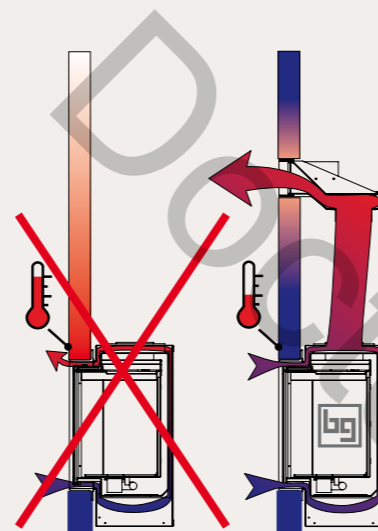
New !

External electronic system *

Bodart & Gonay has developed a directly accessible functional dual purpose box:

- It contains all the electronic components for controlling the fireplace (control unit, EEC card, ventilation card, second thermocouple box, start up and manual control switch) which has two advantages:
 - it is no longer necessary to remove the appliance to replace one of these components
 - these components are not subjected to high temperatures
- It serves as a decompression grille and inspection panel for the service duct. Built into the chimney, it replaces the obligatory and not always aesthetically pleasing grille or panel used by fitters.

* On the Argos Plus



Safe gas evolution ... the safest gas-burning range in the world.

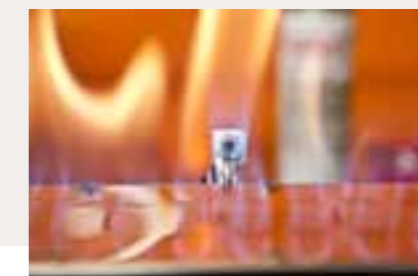
Particularly remarkable thanks to their subtly sophisticated innovative design, BG gas-burning fireplaces combine exceptional heating power and the guarantee of absolute safety, thanks to the new "Safe Gas Evolution" kit which will gradually be installed as standard on all appliances in the range.

Anti-explosion systems

- Easy opening door system on at least two axes allows greater extraction of gases and prevents the window from breaking.
- Anti-explosion door also allows greater extraction of gases.
- The thermocouple provides double flame control: pilot light ignition and the guarantee of a flame when the pilot light is on.
- A second thermocouple controls the burner flame and ensures the ignition switch is working correctly. If there is no connection between the pilot light and the burner, the valve shuts off.
- To prevent the accumulation of gas inside the appliance, it is not possible to carry out more than 3 consecutive ignitions in less than 5 minutes.

Concentric ducts

Thanks to the airtightness of the fireplaces and concentric ducts, no CO leaks out into the room. The risk of CO poisoning is therefore null.





COSMOS 100



COSMOS 125D

THE COSMOS RANGE THE MASTER OF SPACE

With its sleek look, the COSMOS range of gas fireplaces wraps up your living room in peaceful warmth and light. The softness of its relaxing flames lets you escape from the noisy world.

COSMOS 100/125

Compact, but just as appealing, the COSMOS 100 and 125 have the undeniable advantage of fitting easily into all homes, whatever their size.

COSMOS 125D

With the double-sided COSMOS 125, BG offers new horizons and twice the pleasure and comfort, both in terms of brightness and stylish openness.

Equipped with the EES system, the Cosmos 125D could be fitted without any obvious chimney, as illustrated in this example.

Diagrams and technical details are on page 64



COSMOS 125D fitted with EES system

cosmos



COSMOS 145C

COSMOS 145

The COSMOS 145 is the flagship of the range with its astonishing shape and endless beauty; whether in its rectangular or corner version it gives your interior a different dimension! 145cm of pure happiness!

COSMOS 145C

The corner version (available from the right or left) of the COSMOS 145 gives you a third dimension, a totally new panoramic view of the relaxing flames as they dance away.

Diagrams and technical details are on pages 64-65



COSMOS 145 (with black glass surround)

cosmos



ARGOS

ARGOS COMBINING POWER WITH ELEGANT DESIGN

Behind its noble, elegant looks, the ARGOS conceals a powerful heating appliance which charms you with its flames and the comfort of its warmth, all you have to worry about is choosing the temperature you want.

The Argos and the ARGOS PLUS are the only appliances in the gas range which are fitted with a 750 m³/h centrifugal fan; this guarantees adjustable and powerful ventilation so that the heat is quickly distributed in your home.

Diagrams and technical details are on page 65

ARGOS PLUS

Using completely new technology, the ARGOS PLUS offers even more spectacular dancing flames, elegantly flickering in the heart of a large picture window. In addition to its larger size, this appliance boasts exceptional efficiency which easily exceeds 80%.

argos



HELIOS

Produced by : Olivier Desorgher

HELIOS

Pure and sleek, the HELIOS' flames give you a lively performance as they twirl around in your house. It gives out a soft warmth which you control at your fingertips by simply pressing the thermostatic remote control.

Diagrams and technical details are on page 65

helios



SOLARIS

Produced by : Sébastien Krier

GAS

SOLARIS

With its traditional dimensions, the SOLARIS is a versatile fireplace which can be adapted to any type of interior, from the modern to the classic. As you prefer, the bottom can be decorated with white, black or grey stones, or ceramic logs which recreate the red glow of the embers and the dancing movement of the beautiful yellow flames springing from the wood.

Diagrams and technical details are on page 65

solaris

COSMOS 100

COSMOS 125

COSMOS 125D

COSMOS 145

COSMOS 145C

ARGOS

ARGOS PLUS

HELIOS

SOLARIS



Built-in gas fireplace.

Built-in gas fireplace.

Two-sided built-in gas fireplace.

Built-in gas fireplace.

Built-in corner gas fireplace. Right or left model.

Built-in gas fireplace.

Built-in gas fireplace.

Built-in gas fireplace.

Built-in gas fireplace.

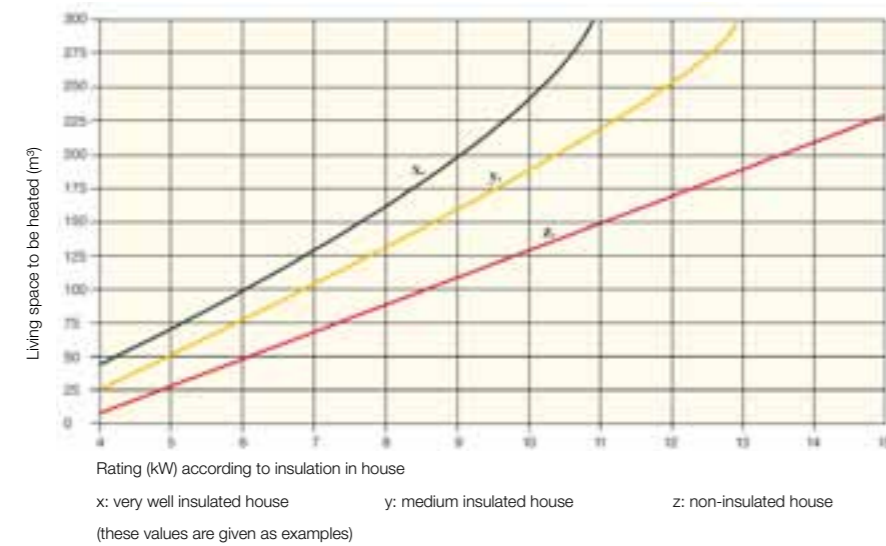
Front dimensions	1000 x 439,5 mm (with frame)	1268 x 444 mm (with frame)	1268 x 444 mm (with frame)	1450 x 439,5 mm (with frame)	1466 x 455 mm (with frame)	750 x 503,5 mm (without frame)	895 x 762 mm (without frame)	663 x 695 mm (without frame)	813 x 500 mm (without frame)
Window dimensions	960 x 400 mm	1228 x 404 mm	1228 x 404 mm	1410 x 395 mm	1435 x 415 and 380 x 415 mm	677 x 443 mm	810 x 680 mm	600 x 690 mm	754 x 485 mm
Fitting dimensions	994 x 262 x 610,5 mm	1268 x 344 x 610,5 mm	1268 x 375 x 620 mm	1444 x 262 x 610,5 mm	1502 x 418 x 617 mm	787 x 466 x 700 mm	948 x 501,5 x 995 mm	663 x 335 x 903,5 mm	813 x 330 x 706,5 mm
Weight	79 Kg	105 Kg	102 Kgg	110 Kg	131,5 Kg	90 Kg	145 Kg	74 Kg	81 Kg
Power burning Natural gas	Mini : 5 kW / Maxi : 8 kW	Mini : 5 kW / Maxi : 8 kW	Mini : 5 kW / Maxi : 8 kW	Mini : 7,5 kW / Maxi : 12 kW	Mini : 7,5 kW / Maxi : 12 kW	Mini : 7 kW / Maxi : 12 kW	Mini : 8 kW / Maxi : 12 kW	Mini : 3,9 kW / Maxi : 6 kW	Mini : 3,2 kW / Maxi : 7 kW
Power burning LPG	Mini : 4 kW / Maxi : 6,7 kW	Mini : 4 kW / Maxi : 6,7 kW	Mini : 4 kW / Maxi : 6,7 kW	Mini : 7,7 kW / Maxi : 9,8 kW	Mini : 7,7 kW / Maxi : 9,8 kW	Mini : 7 kW / Maxi : 10,6 kW	Mini : 7 kW / Maxi : 9,4 kW	Mini : 3 kW / Maxi : 5,1 kW	Mini : 3,2 kW / Maxi : 6,2 kW
Diameter of exit	100/150 mm	100/150 mm	100/150 mm	130/200 mm	130/200 mm	130/200 mm	130/200 mm	100/150 mm	100/150 mm
Smoke vent distance - back	-	-	-	-	-	-	216 mm	-	-

Options	4 mm frame. Deco plate kit, black and mirrored glass backgrounds are available. Log kit (8 logs). Long log (per log).	4 mm frame. Deco plate kit, black and mirrored glass backgrounds are available. Kit woodlogs (8 pieces). Long woodlog (per piece). Butane available.	4 mm frame. Kit woodlogs (8 pieces). Long woodlog (per piece). Butane available.	4 mm frame. Deco plate kit, black and mirrored glass backgrounds are available. Kit woodlogs (8 pieces). Long woodlog (per piece).	4 mm frame. Black glass background is available. Kit woodlogs (8 pieces). Long woodlog (per piece). Butane available.	3 frames available. (4 mm / 30 mm / 130 mm black). Kit ventilation 750 m³/h. Log Kit woodlogs (8 pieces). Long woodlog (per piece).	4 mm frame. Kit ventilation 750 m³/h. Kit woodlogs (8 pieces). Long woodlog (per piece). Butane available.	2 frames available (4 mm / 130 mm inox colour). Kit woodlogs (8 pieces). Long woodlog (per piece).	2 frames available (4 mm / 130 mm inox colour). Kit woodlogs (8 pieces). Long woodlog (per piece).
----------------	---	--	--	--	---	---	--	--	--

Technical diagrams									
---------------------------	--	--	--	--	--	--	--	--	--

CHOOSE THE RIGHT FIREPLACE FOR YOU !

Define the heat rating needed according to the volume to be heated and the level of insulation in the house.



GUARANTEES

BG offers a 6 year guarantee on the general structure of its appliances and 2 years for removable internal parts, stainless steel joints, and the combustion control and grilles. Glass, bricks and vermiculite are not covered by guarantee.

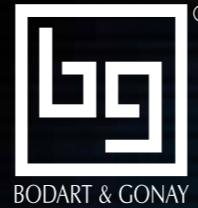
BG guarantees that its appliances comply with the instructions for use and the safety standards for functional use.

All BG models are registered designs.



The text, illustrations, photos and characteristics contained in this catalogue are not contractual and correspond to the current data at the time of printing. BG reserves the right to make any modifications required in the context of future technical developments, without notice.

Design and layout: IMPACT DIFFUSION SA
All photographs by Laurent Brandajs except for pages 1-13-14-18-23-39-42-67 (Jonathan Berger).



Passion for
work well done!



Doctor Flue inc.



BODART & GONAY

BODART & GONAY sa

Parc Artisanal de Harzé
Rue de Lambinon, 3
B-4920 HARZE - BELGIUM
Tel. : +32(0)4/239.93.93
Fax. : +32(0)4/239.93.98
info@bgfires.com
www.bgfires.com



www.bgfires.com