



Doctore Fluere

# C o n t e n t s

experience the spirit of Jøtul



- 4 TruStart™ Ignition (TSI)
- 6 Jøtul GI 350 DV Grand Forge II
- 10 Jøtul GI 450 DV II Katahdin TSI
- 14 Jøtul GI 550 DV Cathedral Arch
- 18 Jøtul Little Diamond Series
- 19 Jøtul Great Diamond Series
- 20 Jøtul Cathedral Arch Series
- 24 Jøtul Grand Forge Series II
- 28 Technical Specifications
- 31 General Information



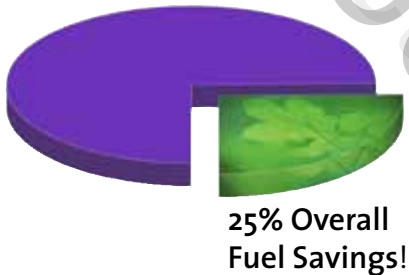
# TruStart™ Ignition

TruStart™ Ignition is the latest advancement in gas IPI systems. Designed with efficiency in mind, TruStart™ incorporates the gas IPI system with Jøtul's exclusive Draw Collar Technology (DCT). The Draw Collar is a fully integrated component designed to induce draft during cold start-up conditions in gas inserts. By pairing the IPI system with integrated Draw Collar Technology, TruStart™ Ignition redefines the standard in gas ignition technology.

## IPI versus TruStart

In the past 3 years, the IPI system has become the cost-saving standard in gas appliance ignition design. The IPI system is the leader in efficiency and fuel conservation, compared to the traditional standing pilot system. Though efficient by design, co-linear vented gas inserts can experience draft issues during cold start-up conditions with IPI systems. These issues can result in a number of ignition problems. TruStart™ Ignition is the latest advancement in IPI systems. It's fully integrated Draw Collar Technology was specifically designed to improve ignition functionality during cold-start situations.

## Yearly Fuel Savings with TruStart Ignition™



## How does TruStart™ Ignition work?

With durable all steel construction, the Draw Collar is an internal component that requires no additional power source. It's enclosed heating element preheats the unit's flue to create a warm air current that promotes the proper air exchange during start-up for successful ignition. Once the flue reaches the correct start-up temperature, the burner will light automatically, and the collar is prompted to power off. This allows the unit to function efficiently during cold start-up conditions without the need to switch to the unit's constant pilot or CPI mode.

## Cost Savings

With the new TruStart™ Ignition system, you will see a substantial fuel savings of up to 25% per burn season compared to the traditional standing pilot system. With the use of the fully integrated TruStart™ Ignition system, you will be able to use your gas insert IPI system in IPI/DCT mode year round versus running the unit in constant pilot/CPI mode during the cold winter months

### Draw Collar



Jøtul's Exclusive draft inducing draw collar built inside

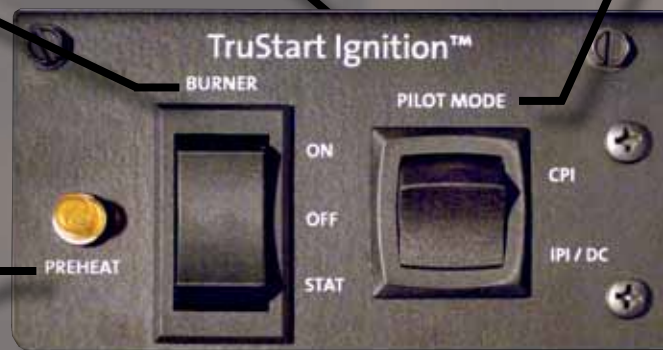


### Two-Way Pilot Mode Switch

IPI/DCT: TruStart Enabled  
CPI: Constant Pilot Mode (for use in power outages)

### Three-Way Burner Switch

On: Manual Control  
Stat: Auto Control  
Off: Off



### Preheat

The light indicates TruStart is working. (warm up mode)

# Jøtul GI 350 DV

## Direct Vent Gas Insert

A small insert with a large fire viewing area, the Jøtul GI 350 DV features Fire on the Floor™ Design, hidden controls, and a flame only Jøtul could create. The Jøtul GI 350 DV won us industry recognition with a Vesta Design and Technology Award for best new gas insert. Offering a variety of fronts, cast iron or steel, and various interior panel kits, the Jøtul GI 350 DV can be tailored to fit any home or hearth. Enjoy the view!

### Options

*Little Diamond cast iron surround*

*Little Diamond cast iron double doors*

*Screen for open door fire viewing*

*Choice of four interior panel packages*

*Cathedral Arch Steel Front*

*(available in three finishes - see page 20)*

*Grand Forge Steel Front*

*(available in three finishes)*

*Simple Steel Surround (shown on right)*

*Trimable Surround*

*Choice of log or tumbled stone burner media*

*Surround sizes: see page 28*



### Features

Revolutionary new JøtulBurner™ delivers unsurpassed gas burner technology and flame picture

50% heat control turndown

Innovative Fire-on-the-Floor™ design

Variable speed blower with manual override (60-125 cfm)

Leg levelers for adjustable firebox height - up to 3 inches

Perfectly sized to retrofit into factory built wood fireplaces

Conveniently located side mounted gas valve and control assembly

Optional remote and wall thermostat

5 year limited warranty





*Jøtul GI 350 DV shown with Classic Matte Black Paint, Little Diamond cast iron surround. Additional options include border brick panel kit.*







# Jøtul GI 450 DV II Katahdin TSI™



Jøtul TruStart™ Ignition incorporates our new IPI system with our exclusive Draw Collar (shown above) (see page 3 for details)

## Direct Vent Gas Insert

The Jøtul GI 450 DV II Katahdin TSI™ gas insert offers the latest achievement in gas technology. Incorporating Jøtul's patented TruStart™ Ignition system, Jøtul has designed the first gas insert that is not afraid of the cold! Featuring IPI electronic ignition, battery backup, fan and top firing accent lights, the GI 450 DV II Katahdin TSI™ is the perfect combination of technology and timeless cast iron design.

Options include cast iron surround (40" wide by 30" high), simple steel surround (40" wide x 30" high), and steel wide surround (for use with cast iron surround 48" wide x 34" high). Also available are a wall thermostat, fire screen, 2 brick panel kits, and remote control for added convenience..

## Options

Wall thermostat

Remote control

Simple Steel Surround (shown at right)

Trimable Steel Surround

Fire screen

Two brick panel kits

Available in two colors



Classic Matte Black Paint



Blue/Black Porcelain Enamel



## Features

Linear flush face design

Standard enameled cast iron decorative firebox side panels

Top mounted accent lights

Dramatic flame picture – realistic ceramic fiber logs burn with the warm glow of a wood fire

Steel fire grate

Variable speed blower with manual override (60-125 cfm)

2" riser plinth included with every unit

Large fireview 29 1/4"W x 13 1/4"H

Energy saving IPI electronic ignition

TruStart™ Ignition technology

5 year limited warranty





*Jøtul GI 450 DV II Katahdin TSI™ Gas Insert shown here in Classic Matte Black Paint, and optional brick panel kit*





DoctoralFluen







# Jøtul GI 550 DV

## Direct Vent Gas Insert

It didn't take us long to realize the Jøtul GI 350 DV needed a bigger sibling. And naturally, we wanted the same features that distinguish these models from the competition. So we designed our Jøtul GI 550 DV gas insert with hidden controls, "Fire on the Floor™" design, and one of the largest fire viewing areas of any gas insert of its size on the market. It got us more Vesta Design and Technology recognition - a significant coup for our talented development staff! Offering a variety of fronts, cast iron or steel, and various interior panel kits, the Jøtul GI 550 DV can be tailored to fit any home or hearth. Enjoy the view!

### Options

*Great Diamond cast iron surround*

*Great Diamond cast iron double doors*

*Wide trim surround*

*Screen for open door fire viewing*

*Choice of four interior panel packages*

*Cathedral Arch Steel Front*

*(available in three finishes - see page 20)*

*Grand Forge II Steel Front*

*(available in three finishes - see page 24)*

*Simple Steel surround (shown on right)*

*Trimable surround*

*Choice of logs or tumbled stone burner media*

*Surround sizes: see page 28*



### Features

Revolutionary new JøtulBurner™ delivers unsurpassed gas burner technology and flame picture

50% heat control turndown

Optional remote and wall thermostat

Innovative Fire-on-the-Floor™ design

Variable speed heat activated blower with manual override (60-125 cfm)

Leg levelers for adjustable firebox height - up to 3 inches

Conveniently located side mounted gas valve and control assembly

5 year limited warranty





Doc



*Jøtul GI 550 DV shown with Classic Matte Black Paint, Great Diamond cast iron surround and double doors. Additional options include antique brick panel kit*









# Jøtul Little Diamond Series

Available on GI 350 DV inserts



Classic Matte Black Paint

*Little Diamond cast iron surround shown in Classic Matte Black Paint with 2" plinth and optional antique brick kit*



*Antique brick kit*



*Border brick kit*



*Gray Corduroy panel kit*



*Black Corduroy panel kit*



*Little Diamond cast iron surround with standard steel wide surround, 2" plinth and double doors shown in Classic Matte Black Paint with optional antique brick kit*



*Little Diamond cast iron surround, double doors, and 2" plinth shown in Classic Matte Black Paint, optional antique brick kit and firescreen*

# Jøtul Great Diamond Series

Available on GI 550 DV inserts

Classic Matte Black Paint



Great Diamond cast iron surround shown in Classic Matte Black Paint and optional border brick kit



Antique brick kit



Border brick kit



Gray Corduroy panel kit



Black Corduroy panel kit



Great Diamond cast iron surround and double doors shown in Classic Matte Black Paint and optional border brick kit



Great Diamond cast iron surround and double doors shown in Classic Matte Black Paint, optional border brick kit and firescreen



# Jøtul Cathedral Arch Series

Available on GI 350 DV and GI 550 DV inserts



*Cathedral Arch Front shown in Black Powder Coat with optional border brick kit*



*Antique brick kit*



*Border brick kit*



*Gray Corduroy panel kit*



*Black Corduroy panel kit*



*Cathedral Arch Front shown in Natural Iron with optional border brick kit*



*Cathedral Arch Front shown in Charcoal Gray Powder Coat with optional border brick kit*



*Jøtul GI 550 DV shown with Cathedral Arch Front in Natural Iron with optional antique brick kit*











# Jøtul Grand Forge II Series

Available on the GI 350 and GI 550 DV inserts



*Grand Forge II Front shown in Black Powder Coat with optional antique brick kit*



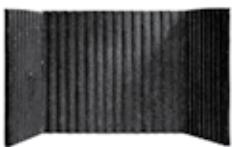
*Antique brick kit*



*Border brick kit*



*Gray Corduroy panel kit*



*Black Corduroy panel kit*



*Grand Forge II Front shown in Iron Age Powder Coat with optional antique brick kit*



*Grand Forge II Front shown in Bronze Powder Coat with optional antique brick kit*

*\*Grand Forge II series fronts include removable black backing surround*





*Jøtul GI 550 DV shown with Grand Forge II Front in Iron Age Powder Coat with optional antique brick kit (shown without removable backing surround).*











# Jøtul GI 350 DV Gas Insert Specifications

## Surround Sizes

Jøtul GI 350 DV

### Cast Iron Surrounds

34 1/2" W x 24 1/2" H

34 1/2" W x 26 1/2" H w/Plinth

### Cast Iron Surround w/ Wide Surround

38" W x 26" H w/ included Wide

### Steel Surround

38" W x 28" H w/ included Wide Steel

### Surround and Plinth Extensions

### Grand Forge II or Cathedral Arch

### Steel Front

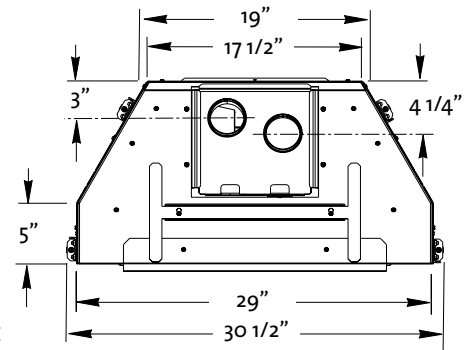
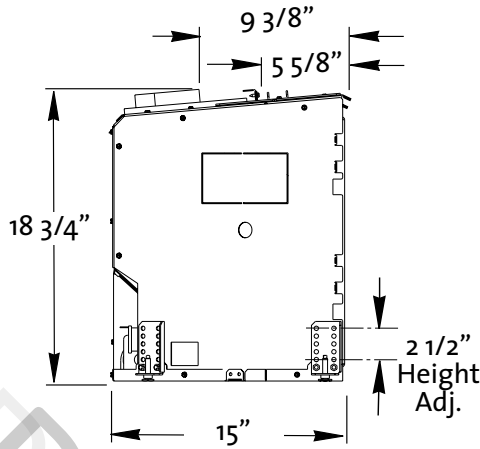
38" W x 28" H

### Grand Forge II Doors Only

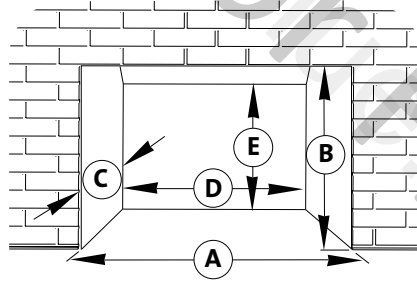
32" W x 24 1/2" H

### Simple and Trimable Surround

38" W x 26" H

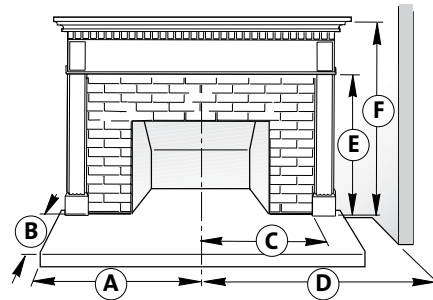


Subtract 1" if leg leveler brackets are removed. Width will equal 29 1/2" without leg levelers



A*	Minimum Opening Width	31"
B	Minimum Opening Height	20"
C	Minimum Fireplace Depth	16"
D*	Minimum Back Wall Width	19"
E	Minimum Back Wall Height	19"

\*Subtract 1" if leg leveler brackets are not used



A	Hearth width from centerline	18"	18"
B	Hearth depth	16"	16"
C	Side trim from centerline	18 1/4"	20"
D	To side wall from centerline	41 1/4"	43"
E**	To top trim from hearth	35"	38"
F**	To 1 1/2" mantel from hearth	41"	44"

\*\* Add 2" for GI 350 DV & cast iron surround with plinth

# Jøtul GI 450 DV II Gas Insert Specifications

## Surround Sizes

Jøtul GI 450 DV II

### Cast Iron Surrounds

40" W x 28" H

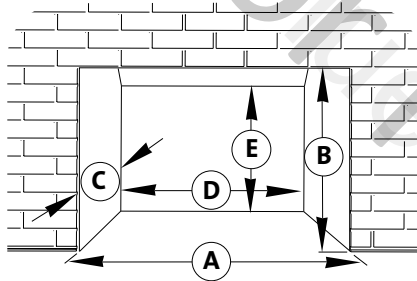
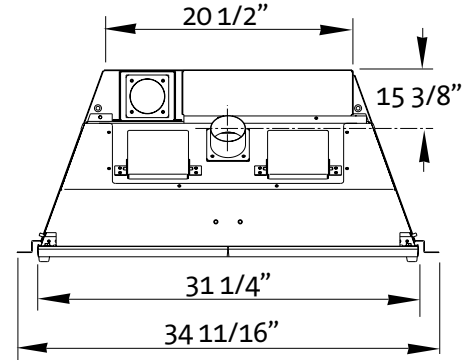
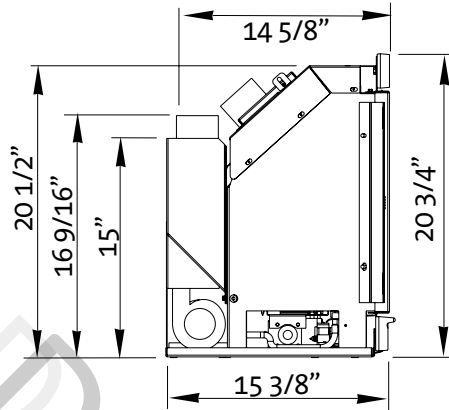
40" x 30" w/Plinth

Steel Wide Surround  
(for use with cast iron)

48" x 34"

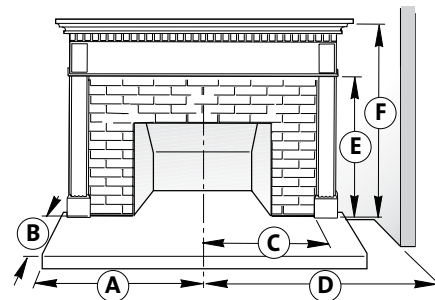
Simple and Trimable Surround

40" W x 30" H



A	Minimum Opening Width	32 1/2"
B	Minimum Opening Height	20"
C	Minimum Fireplace Depth	15"
D	Minimum Back Wall Width	21"
E	Minimum Back Wall Height	17"

Jøtul GI 450 DV II Cast Iron



A	Hearth width from centerline	16"
B	Hearth depth	18"
C	Side trim from centerline	22"
D	To side wall from centerline	40"
E	To top trim from hearth	36"
F	To 1 1/2" mantel from hearth	38"

Jøtul GI 450 DV II Cast Iron



# Jøtul GI 550 DV Insert Specifications

## Surround Sizes

### Jøtul GI 550 DV

#### Cast Iron Surrounds

- 40" W x 30" H
- 40" W x 32" H w/Plinth

#### Cast Iron Surround w/ Wide Surround

- 46 1/2" W x 33" H w/optional Wide

#### Steel Surround

- 46 1/2" W x 35" H w/optional Wide Steel

#### Surround and Plinth Extensions

#### Grand Forge II or Cathedral

#### Arch Steel Front

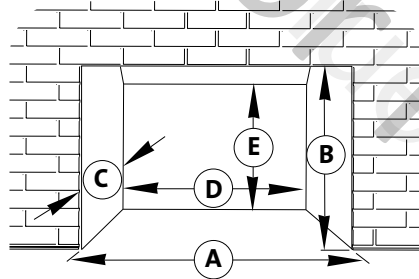
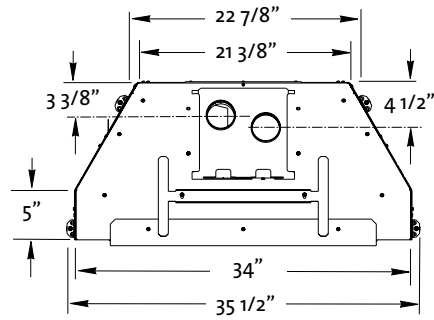
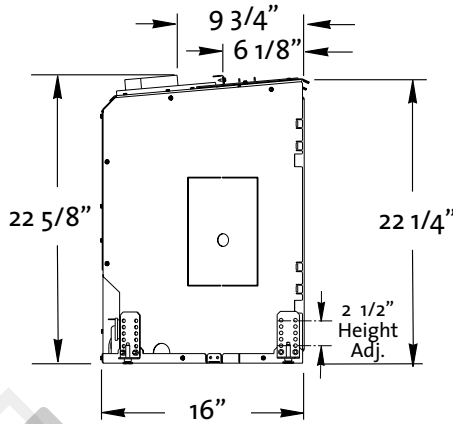
- 44" W x 32" H

#### Grand Forge II Doors Only

- 36 7/8" W x 28 7/16" H

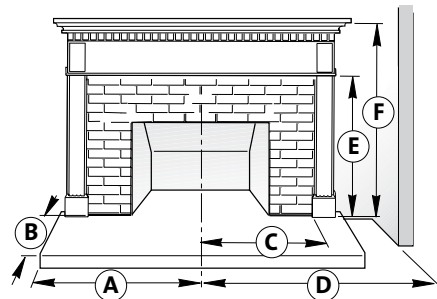
#### Simple and Trimable Surround

- 40" W x 32" H



A*	Minimum Opening Width	36"
B	Minimum Opening Height	24"
C	Minimum Fireplace Depth	17"
D*	Minimum Back Wall Width	23"
E	Minimum Back Wall Height	23"

\*Subtract 1" if leg leveler brackets are not used



A	Hearth width from centerline	18"	18"
B	Hearth depth	18"	18"
C	Side trim from centerline	21"	23"
D	To side wall from centerline	44"	46"
E**	To top trim from hearth	42"	44"
F**	To 1 1/2" mantel from hearth	48"	50"

\* 16" with plinth

\*\* Add 2" for GI 550 DV cast iron surround with plinth



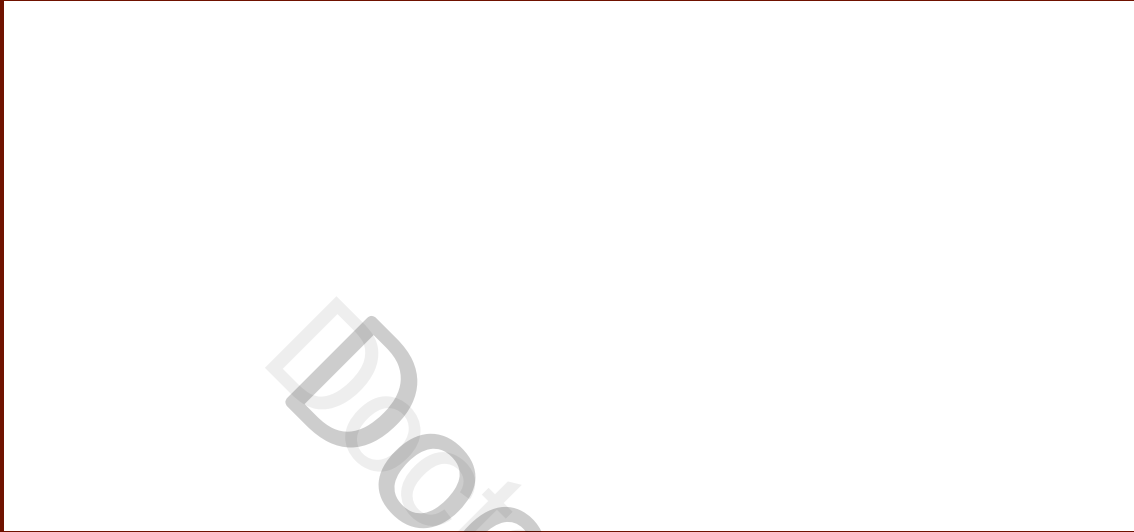
<b>Model</b>	<b>Jøtul GI 350 DV</b>	<b>Jøtul GI 450 DV II Katahdin TSI™</b>	<b>Jøtul GI 550 DV</b>
Venting	Direct vent	Direct vent	Direct vent
Heating capacity <sup>1</sup>	Up to 1,300 sq.ft.	Up to 1,500 sq.ft.	Up to 1,700 sq.ft.
Min/max heat input (BTU/hr)	16,500 - 28,000 (NG) 14,300 - 28,000 (LP)	26,000 - 33,000 (NG) 26,000 - 33,000 (LP)	21,900 - 38,000 (NG) 20,000 - 38,000 (LP)
Efficiency <sup>2</sup>	Up to 71% (A.F.U.E 70%)	Up to 76% (A.F.U.E 69%)	Up to 75% (A.F.U.E 65%)
Safety features	Sealed system	Sealed system	Sealed system
Opt. blower	Standard	Standard	Standard
Opt. wall thermostat	Yes	Yes	Yes
Opt. remote control	Yes	Yes	Yes
Weight	140 lbs	155 lbs	178 lbs
Venting	3 x 3	3 x 3	3 x 3
Venting min/max	Min 10' Max 35'	Min 10' Max 40'	Min 10' Max 35'
Surround dimensions	See page 28	See page 29	See page 30
Glass dimensions	19" W x 14" H	30" W x 14" H	24" W x 17" H
Minimum fireplace dimensions	31" W x 16" D x 20" H**	32 1/2" W x 15" D x 20" H	36" W x 17" D x 24" H**

<sup>1</sup> Heating Capacity will vary depending on the design of the home, climate, elevation, operation and venting configuration

<sup>2</sup> Maximum venting configuration



Ask your authorized Jøtul Group Dealer about our full line of cast iron wood and gas stoves, inserts and fireplaces.



DoctorFluer

A Jøtul Group Company

Jøtul North America  
55 Hutcherson Drive  
Gorham, Maine 04038

[www.jotul.us](http://www.jotul.us)



Gas Inserts

Printed in U.S.A.  
January 2012

