



Gas Stoves



Docteur F. J. J. J.

experience the spirit of Jøtul



7

- 4 Jøtul GF 200 DV II Lillehammer
- 6 Jøtul GF 300 DV IPI Allagash
- 8 Jøtul GF 300 DV/BV Allagash
- 10 Jøtul GF 400 DV/BV Sebago
- 12 Jøtul GF 600 DV II Firelight
- 14 Jøtul GF 370 DV
- 16 Gas Vent Guidelines
- 17 Proflame 2 Ignition System
- 18 Technical Specifications
- 22 Zone Heating
- 23 General Information



15

Jøtul GF 200 DV II Lillehammer

Direct Vent Gas Stove

Designed in collaboration with world-renowned designers and our well-regarded in-house engineers, the Jøtul GF 200 DV II Lillehammer brings into your home a touch of Scandinavian charm and warmth reminiscent of the 1994 Winter Olympics in Lillehammer, Norway. We challenge you to find another stove among the competition possessing the same crisp lines and sharp features that define world class craftsmanship and foundry capabilities. Popular options include: variable speed blower fan kit, antique brick panel kit (molded from real brick), screen for open door fire viewing, floor bracket kit (for mobile home installations), wall thermostat, remote control, a choice of enamel colors or Classic Matte Black Paint.

Options

Antique brick panel kit (molded from real brick)

Wall thermostat

Variable speed blower fan kit

Screen for open door fire viewing

Remote control

Floor bracket kit (for mobile home installations)

Long legs (8")

Choice of three porcelain enamel colors

Classic Matte Black Paint

Leg leveler kit



Features

Revolutionary new JøtulBurner™ delivers unsurpassed gas burner technology and flame picture realism

50% heat control turn down

Durable, furniture quality cast iron construction

ON/OFF thermostat switch

Handcrafted ceramic fiber log set burns with the glowing warmth of a real wood fire

Ability to corner vent without snorkel or tall cap

Conversion kit included for use with propane gas

No electricity required; easy-to-operate ignition system

Zero clearance rear vent capability

Natural convection for increased air circulation

Vent restrictors included for vertical terminations

Mobile home approved

5 year limited warranty

Classic Matte Black Paint



Blue/Black Porcelain Enamel



Brown Majolica Porcelain Enamel





Doctro
Philip

Jøtul GF 200 DV II Lillehammer

Jøtul GF 200 DV II Lillehammer shown here in Blue/Black Porcelain Enamel, optional antique brick panel kit, and fire screen

Jøtul GF 300 DV IPI Allagash

Direct Vent Gas Stove

The new Jøtul GF 300 DV IPI Allagash combines modern classic cast iron design with state of the art combustion technology. Fueled by the new pan style JøtulBurner™ and the cost saving IPI Proflame II ignition system, the Jøtul GF 300 DV IPI Allagash presents the perfect union of high efficiency and timeless design. With many upgradable options, a standard new 6 piece hand crafted log set and enhanced fireview, the Jøtul GF 300 DV IPI Allagash continues to be one of Jøtul's best-selling gas stoves.

Popular options include: Top firing accent lights, Multifunction remote, Blower Kit and a reversible brick liner (Antique Red & Brownstone). Available in 4 majolica colors or Classic Matte Black Paint.

Options

- Multifunction Proflame II remote with flame modulation control*

- Wall thermostat*

- Top firing accent light kit (remote controlled with 6 level illumination)*

- Fire screen*

- Blower Kit (120 CFM) (remote controlled with 6 speed levels)*

- Reversible brick liner (Antique Red & Brownstone)*



Features

- Modern Classic™ cast iron design*

- Extra large fire viewing area (180 sq.in.)*

- Hidden magnetic door latch*

- 6 piece hand crafted high density log set*

- Top or rear reversible flue*

- New pan style Jøtulburner™*

- EZTouch control door*

- Upgradeable SIT Proflame II control system with integrated battery backup*

- 50% heat control turn down*

- Classic Matte Black Paint* 
- Blue/Black Porcelain Enamel* 
- Ivory Porcelain Enamel* 
- Brown Majolica Porcelain Enamel* 
- Green Majolica Porcelain Enamel* 



Jøtul GF 300 DV IPI Allagash

*Jøtul GF 300 DV IPI Allagash shown here in Brown
Majolica Porcelain Enamel with optional antique
brick panel kit and fire screen*

Jøtul GF 300 DV/BV Allagash

Direct Vent or B-vent Gas Stove

As rugged as the wilderness waterway that bears its name, world-renowned designers and our team of in-house engineers made sure that our Jøtul GF 300 DV/BV Allagash presents the perfect union of high efficiency and cast iron beauty. Its classic lines and Gothic arch double doors frame a hand crafted log set, flame and glowing embers with a realism unrivaled in the hearth industry. Fueled by the quiet durability of our revolutionary new cast iron and stainless steel burner - the JøtulBurner™ - this stove is the best-selling gas stove in the long history of Jøtul. Popular options include: antique brick panel kit, remote control, fire screen for open door viewing, short leg kit for fireplace installations, a choice of enamel colors or Classic Matte Black Paint.

Options

Antique brick panel kit (molded from real brick)

Wall thermostat

Remote control

Floor bracket kit (for mobile home installations)

Top plate filler (for B-vent rear exit installations only)

Variable speed blower fan kit

Screen for open door fire viewing

Short leg kit for fireplace installations (reduces height by 2 1/4")

Choice of three porcelain enamel colors

Classic Matte Black Paint

Leg leveler kit



Features

Revolutionary new JøtulBurner™ delivers unsurpassed gas burner technology and flame picture realism

Handcrafted ceramic fiber log set burns with the glowing warmth of a real wood fire

Standard reversible flue collar for top or rear exit capability

Large fire viewing area with open door capability – an industry pioneer!

Durable, furniture quality cast iron construction

ON/OFF Thermostat switch

Natural convection for increased air circulation

Vent restrictors included for vertical terminations (Direct Vent only)

Jøtul Heat Fin™ technology means great heating capacity with a minimum of heat loss

Pre-wired for blower fan kit

No electricity required to operate stove

Conversion kit included for use with propane gas

5 year limited warranty

Classic Matte Black Paint



Blue/Black Porcelain Enamel



Ivory Porcelain Enamel



Brown Majolica Porcelain Enamel





Jøtul GF 300 DV/BV Allagash

*Jøtul GF 300 DV Allagash shown here in Blue/Black
Porcelain Enamel with optional antique brick panel
kit and fire screen*

Jøtul GF 400 DV/BV Sebago

Direct Vent or B-Vent Gas Stove

World-renowned designers, in collaboration with our well-regarded in-house engineers, created this Vesta Design and Technology Award finalist with beauty and high efficiency operation in mind. With its nautical theme that takes your mind off to sea from the shores of Norway or Maine, the Jøtul GF 400 DV or BV Sebago is our latest addition to the Jøtul Family. This stove incorporates our innovative new cast iron and stainless steel JøtulBurner™ - a revolution in gas flame technology. With a hand crafted log set and double door design, this stove demonstrates why Jøtul is widely recognized as the cast iron leader in quality and craftsmanship. Popular options include: antique brick panel kit, screen for open door fire-viewing, remote control and a choice of colors.

Options

Antique brick panel kit (molded from real brick)

Wall thermostat

Remote control

Floor bracket kit (for mobile home installations)

Variable speed blower fan kit

Screen for open door fire viewing

Short leg kit for fireplace installations

(reduces height by 2 1/4")

Choice of three porcelain enamel colors

Classic Matte Black Paint

Leg leveler kit



Features

Revolutionary new JøtulBurner™ delivers unsurpassed gas burner technology and flame picture realism

Handcrafted ceramic fiber log set burns with the glowing warmth of a real wood fire

Standard reversible flue collar for top or rear exit capability

Large fire viewing area with open door capability – an industry pioneer!

Durable, furniture quality cast iron construction

ON/OFF Thermostat switch

Vent restrictors included for vertical terminations

Jøtul Heat Fin™ technology means great heating capacity with a minimum of heat loss

Pre-wired for blower fan kit

No electricity required to operate stove

Conversion kit included for use with propane gas

5 year limited warranty

Classic Matte Black Paint



Blue/Black Porcelain Enamel



Ivory Porcelain Enamel



Brown Majolica Porcelain Enamel





Jøtul GF 400 DV/BV Sebago

Jøtul GF 400 DV Sebago shown here in Majolica Brown Porcelain Enamel with optional antique brick panel kit and fire screen

Jøtul GF 600 DV II Firelight

Direct Vent Gas Stove

A descendent of our signature Jøtul F 600 Firelight CB wood stove, the Jøtul GF 600 DV II Firelight provides the same double door, open fire viewing and classic design that put Jøtul on the wood burning map in North America. Without any doubt, this stove has an unparalleled flame picture fueled by Jøtul's revolutionary cast iron and stainless steel burner, the JøtulBurner™. With its 50% heat control turn down capability, the Jøtul GF 600 DV II Firelight fulfills the heat requirements of a variety of living spaces and can be used as a primary heat source. Popular options include: screen for open door fire viewing, antique brick panel kit, remote control, variable speed blower fan kit, a choice of two enamel colors or Classic Matte Black Paint.

Options

Screen for open door fire viewing

Antique brick panel kit (molded from real brick)

Wall thermostat

Remote control

Floor bracket kit (for mobile home installations)

Variable speed blower fan kit

Choice of two porcelain enamel colors

Matte Black Paint



Features

Revolutionary new JøtulBurner™ delivers unsurpassed gas burner technology and flame picture realism

50% heat control turn down

Largest fire viewing area available in a freestanding gas stove with open door fire viewing

Hand-crafted ceramic fiber log set burns with the glowing warmth of a real wood fire

Conversion kit included for use with propane gas

No electricity required; easy-to-operate ignition system

ON/OFF Thermostat switch

Standard reversible flue for top or rear exit capability

Vent restrictors included for vertical terminations

Mobile home approved

5 year limited warranty

Classic Matte Black Paint



Brown Majolica Porcelain Enamel





Jøtul GF 600 DV II Firelight

Jøtul GF 600 DV II Firelight shown here in Blue / Black Porcelain Enamel with optional antique brick panel kit and fire screen

Jøtul GF 370 DV

Direct Vent Gas Stove

Modern design with an elegant three-sided fire view, the Jøtul GF 370 DV utilizes the new JøtulBurner™ III to create an exceptional fire view from any angle.

Based on the award winning Jøtul F 370 wood stove, the Jøtul GF 370 DV offers the same contemporary cast iron styling in a freestanding direct vent stove.

Loaded with standard features including accent lighting, variable speed blower and energy saving ignition system, the GF 370 DV is the perfect combination of design and craftsmanship.

Options

Choice of Traditional Logs, Wishing Rocks, Tumbled Stones, or "Starfire" Glass Embers

Reflective black glass liners

Exterior decorative glass panels



Burner Media Options

Black Glass



Starfire Glass



Wishing Rocks



Tumbled Stones



Classic Matte Black Paint



Features

Revolutionary new JøtulBurner™ III delivers unsurpassed gas burner technology and flame picture realism

SIT™ 885 modulating valve system

Standard remote control with "Smart Stat" feature

Unique hidden controls

Large 3-sided fire view

No electricity required to operate stove

Accent lighting

Variable-speed blower fan (40 CFM)

Standard Skamol firebox liners

Mobile home approved

5 year limited warranty



Jøtul GF 370 DV

*Jøtul GF 370 DV shown with optional
Traditional Log Set and standard Skamol Liner*

Gas Vent Guidelines

Direct Vent Systems

A direct vent gas appliance is a closed combustion system that takes its combustion air from outside the home. The system uses either a co-axial pipe (a pipe within a pipe) or a co-linear system to both take air in for combustion and exhaust products of combustion.



Co-axial Vent

A co-axial vent consists of a smaller pipe within a larger pipe, most commonly a 4-inch pipe inside a 6 5/8 inch pipe. This type of venting pipe is used when the venting runs horizontally and passes through an outside wall, or vertically to penetrate the roof. A specific termination cap is used that separates exhaust gases from the incoming combustion air.

Co-linear Vent

A co-linear venting system is used for direct vent gas fireplace inserts and freestanding gas stoves when installed in front of existing masonry fireplaces. This venting system consists of two 3-inch flexible liners that are run up a masonry chimney. One liner is used for the air intake and the other for exhaust. The liners are attached to adapters on the unit, run up the flue and then connect to a co-linear adapter on the top of the chimney, to which the direct vent cap is secured. When used with a freestanding stove, a co-linear adapter is also attached to the stove to convert the co-axial pipe to the co-linear venting system.

B-Vent Systems

A B-vent or natural draft system is often vented into a masonry or class A chimney system. Stoves using this type of venting use room air for combustion and exhaust the products of combustion into a chimney. When using a masonry chimney, a 4-inch aluminum gas liner must be installed.

SIT ProFlame 2 Ignition System

The SIT ProFlame 2 Electronic Ignition System

The SIT ProFlame 2 is the next generation of advanced gas control directing the functions of the Jøtul GF 300 DV IPI Allagash gas freestanding unit. It is configured to control the on/off operation both manually and by thermostat, with standard and smart thermostat features. It also controls flame, fan and light, both on/off, as well as 6 levels of modulation. The power is provided using 120 volt and has a 6 volt DV battery back-up for operation during a power failure.

Advanced Remote

This new easy to use remote system has a 4 button design that includes room temperature, set temperature, function selector, child proof lockout, and low battery indicator. Icons appear on the screen indicating which mode of operation you are controlling. The Proflame 2 remote now features light modulation and the ability to toggle between CPI and IPI modes. This remote is powered by 3-1.5v AAA batteries.



Ignition Module IFC

Three previous components (FCM, DFC, and receiver) are now combined into one component, which is standard with the unit. This is the brain of the system. It tells the burner to light or turn off, and provides the ignitor with the electricity needed for sparking. In event of a powerfailure the battery backupwill power the unitand modulate the flame. All functional commands are routed through this part of the system and distribute the signal to the appropriate component.

Pilot Assembly

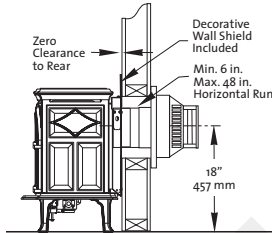
The new GF 300 IP utilizes a PSE pilot aeembly; the easiest to convert from N to LP; Loosen a nut, slide the tab over, and retighten the nut, Voila! pilot conversion complete.



Jøtul GF 200 DV II Lillehammer Page 8

Venting Options & Specifications

Venting	Direct Vent
Venting Size	6 5/8" x 4"
Heating Capacity ¹	Up to 800 sq. ft.
Min/Max Heat Input (BTU/hr)	11,400-20,000 (NG) 8,440-18,000 (LP)
Efficiency ³	up to 87% Steady State (A.F.U.E 73%)
EnerGuide Rating	70.8%
Safety Features	Sealed System
Optional Blower	Yes
Optional Wall Thermostat	Yes
Optional Remote control	Yes



Dimensions

Height	24 3/4"
Height w/ opt. long legs	27"
Width	22 3/4"
Depth ²	18 1/2"
Weight	190 lbs.
Venting	Simpson DuraVent GS/ AmeriVent/Security/Selkirk

Clearances

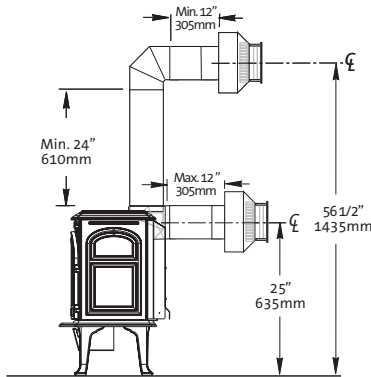
Rear	0" (zero clearance)
Side	3"
Corner	2"
9 1/2" deep mantel	27 3/4"



Jøtul GF 300 DV IPI Allagash Page 10

Venting Options & Specifications

Venting	Direct Vent
Venting Size	6 5/8" x 4"
Heating Capacity ¹	Up to 1,300 sq. ft..
Min/Max Heat Input (BTU/hr)	14,000-26,000 (NG) 14,000-26,000 (LP)
Efficiency ³	up to 88% Steady State (A.F.U.E 72.7%)
EnerGuide Rating	66.60%
Safety Features	Sealed System
Optional Blower	Yes
Optional Wall Thermostat	Yes
Optional Remote control	Yes

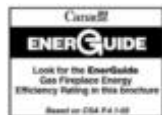


Dimensions

Height	28"
Height w/ opt. short legs	25 3/4"
Width	22 1/2"
Depth ²	16"
Weight	185 lbs.
Venting	Simpson DuraVent GS/ AmeriVent/Security/Selkirk

Clearances

Rear	2"
Side	3"
Corner	2"
10" deep mantel	29"



¹ Heating Capacity will vary depending on the design of the home, climate, elevation, operation and venting configuration.

² Depth dimension includes ashlip and flue collar.

³ With maximum vent configuration

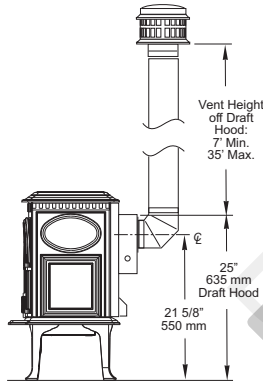


Jøtul GF 300 BV Allagash

Page 10

Venting Options & Specifications

Venting	B-Vent
Venting Size	6 5/8" x 4"
Heating Capacity ¹	Up to 1,300 sq.ft.
Min/Max Heat Input (BTU/hr)	15,000-26,000 (NG) 13,500-26,000 (LP)
Efficiency ³ (A.F.U.E. 73%)	up to 86% Steady State
EnerGuide Rating	59.8%
Safety Features	Sealed System
Optional Blower	Yes
Optional Wall Thermostat	Yes
Optional Remote control	Yes



Dimensions

Height	27 3/4"
Height w/ opt. short legs	25 1/2"
Width	22 3/4"
Depth ²	17 1/2"
Weight	185 lbs.
Venting	4" B-Vent

Clearances

Rear	2"
Side	3"
Corner	3"
11.5" deep mantel	29"

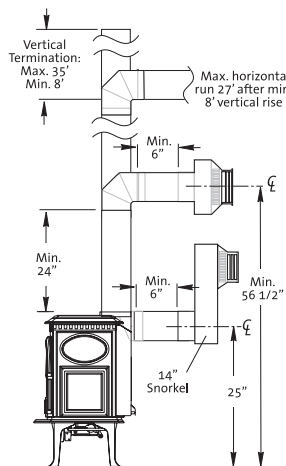


Jøtul GF 300 DV Allagash

Page 10

Venting Options & Specifications

Venting	Direct Vent
Venting Size	6 5/8" x 4"
Heating Capacity ¹	Up to 1,300 sq. ft.
Min/Max Heat Input (BTU/hr)	14,000-26,000 (NG) 14,000-26,000 (LP)
Efficiency ³ (A.F.U.E. 72.7%)	up to 88% Steady State
EnerGuide Rating	64.6%
Safety Features	Sealed System
Optional Blower	Yes
Optional Wall Thermostat	Yes
Optional Remote control	Yes

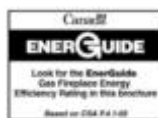


Dimensions

Height	28"
Height w/ opt. short legs	25 3/4"
Width	22 3/4"
Depth ²	17 1/2"
Weight	185 lbs.
Venting	Simpson DuraVent GS/ AmeriVent/Security/Selkirk

Clearances

Rear	2"
Side	3"
Corner	2"
10" deep mantel	29"



¹ Heating Capacity will vary depending on the design of the home, climate, elevation, operation and venting configuration.

² Depth dimension includes ashlip and flue collar.

³ With maximum vent configuration

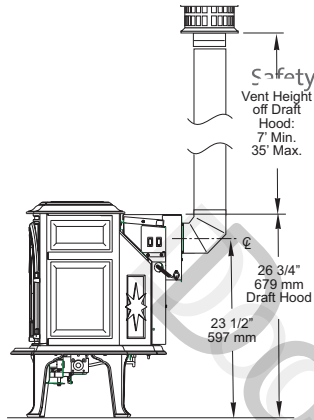


Jøtul GF 400 BV Sebago

Page 12

Venting Options & Specifications

Venting	B-Vent
Venting Size	6 5/8" x 4"
Heating Capacity ¹	Up to 2,000 sq. ft.
Min/Max Heat Input (BTU/hr)	22,000-40,000 (NG) 20,000-40,000 (LP)
Efficiency ³	up to 88% Steady State (A.F.U.E. 73.5%)
EnerGuide Rating	68.39%
Safety Features	Safety switch
Optional Blower	Yes
Optional Wall Thermostat	Yes



Safety Features

Safety switch

Dimensions

Height	28 1/2"
Height w/ opt. short legs	26 1/4"
Width	26 1/2"
Depth ²	24"
Weight	190 lbs.
Venting	4" B-Vent

Clearances

Rear	3"
Side	3"
Corner	3"
10.25" deep mantel	25 1/4"

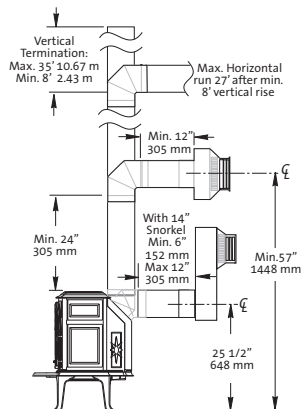


Jøtul GF 400 DV Sebago

Page 12

Venting Options & Specifications

Venting	Direct Vent
Venting Size	6 5/8" x 4"
Heating Capacity ¹	Up to 1,500 sq. ft.
Min/Max Heat Input (BTU/hr)	18,000-32,000 (NG) 16,000-32,000 (LP)
Efficiency ³	up to 88% Steady State (A.F.U.E. 73%)
EnerGuide Rating	62.3%
Safety Features	Sealed System
Optional Blower	Yes
Optional Wall Thermostat	Yes
Optional Remote control	Yes

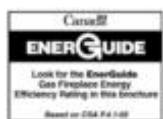


Dimensions

Height	28 1/2"
Height w/ opt. short legs	26 1/4"
Width	26 1/4"
Depth ²	26 1/2"
Weight	190 lbs.
Venting	Simpson DuraVent GS/ AmeriVent/Security/Selkirk

Clearances

Rear	2"
Side	3"
Corner	2"
10" deep mantel	18"



¹ Heating Capacity will vary depending on the design of the home, climate, elevation, operation and venting configuration.

² Depth dimension includes ashlip and flue collar.

³ With maximum vent configuration

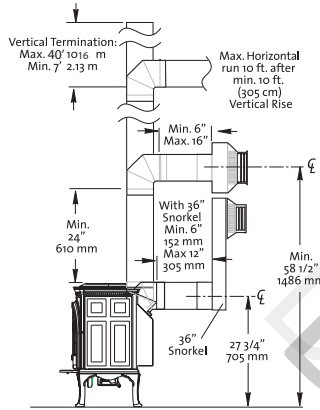


Jøtul GF 600 DV II Firelight

Page 14

Venting Options & Specifications

Venting	Direct Vent
Venting Size	6 5/8" x 4"
Heating Capacity ¹	Up to 2,000 sq.ft.
Min/Max Heat Input (BTU/hr)	23,900-40,000 (NG) 20,300-40,000 (LP)
Efficiency ³	up to 87% Steady State (A.F.U.E. 73.5%)
EnerGuide Rating	68.1%
Safety Features	Sealed System
Optional Blower	Yes
Optional Wall Thermostat	Yes
Optional Remote control	Yes



Dimensions

Height	31"
Height w/ opt. short legs	n/a
Width	29"
Depth ²	24"
Weight	260 lbs.
Venting	Simpson DuraVent GS/AmeriVent/ Security/Selkirk

Clearances

Rear	2"
Side	3"
Corner	3"
11 1/2" deep mantel	11"

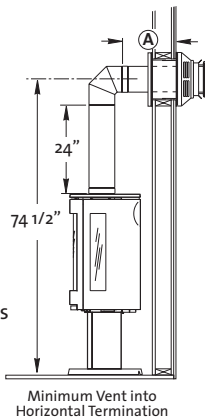


Jøtul GF 370 DV

Page 16

Venting Options & Specifications

Venting	Direct Vent
Venting Size	6 5/8" x 4"
Heating Capacity ¹	Up to 1,300 sq.ft.
Min/Max Heat Input (BTU/hr)	18,173-28,000 (NG) 21,802-28,000 (LP)
Efficiency ³	up to 87% Steady State (A.F.U.E. 73.5%)
EnerGuide Rating	72.41%
Safety Features	Sealed System
Optional Blower	Standard
Optional Wall Thermostat	Yes
Optional Remote control	Yes



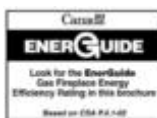
A = 12" with natural gas
A = 18" with propane

Dimensions

Height	45 1/2"
Height w/ opt. short legs	n/a
Width	17 1/2"
Depth ²	17 7/8"
Weight	260 lbs.
Venting	Simpson DuraVent GS/AmeriVent/ Security/Selkirk

Clearances

Rear	3"
Side	7"
Corner	5"



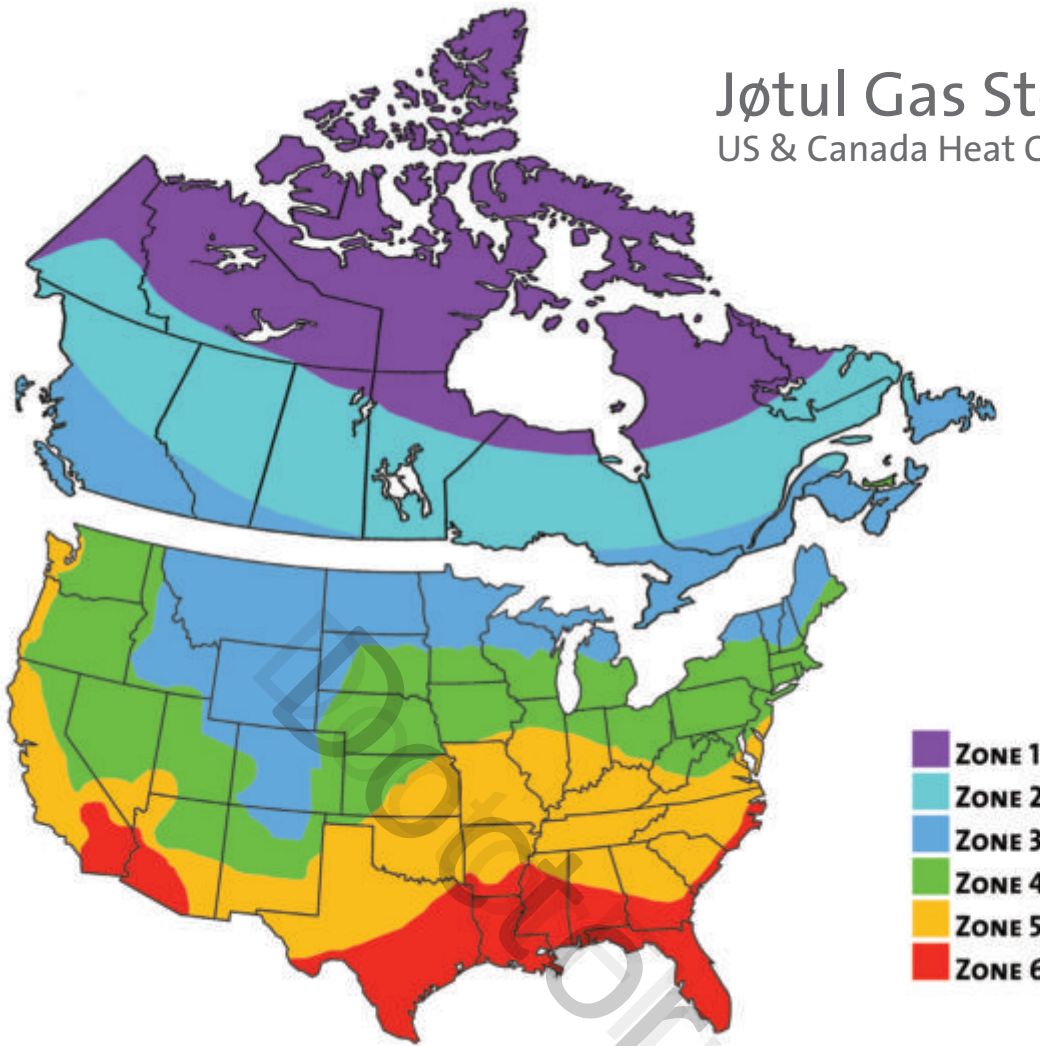
¹ Heating Capacity will vary depending on the design of the home, climate, elevation, operation and venting configuration.

² Depth dimension includes ashlip and flue collar.

³ With maximum vent configuration

Jøtul Gas Stove

US & Canada Heat Capacity by Zone



- ZONE 1
- ZONE 2
- ZONE 3
- ZONE 4
- ZONE 5
- ZONE 6

Gas Stove Model	Min-Max (BTU/Hr)	Zone 1 (sq. ft.)	Zone 2 (sq. ft.)	Zone 3 (sq. ft.)	Zone 4 (sq. ft.)	Zone 5 (sq. ft.)	Zone 6 (sq. ft.)
Jøtul GF 200 DV II Lillehammer	11 - 20,000	100	200	400	600	700	800
Jøtul GF 300 DV IPI Allagash	14 - 26,000	400	600	800	1000	1200	1300
Jøtul GF 300 BV/Allagash	14 - 26,000	400	600	800	1000	1200	1300
Jøtul GF 300 DV/Allagash	14 - 26,000	400	600	800	1000	1200	1300
Jøtul GF 400 BV Sebago	22 - 40,000	700	1000	1200	1400	1600	2000
Jøtul GF 400 DV Sebago	17 - 32,000	400	600	800	1000	1200	1500
Jøtul GF 600 DV II Firelight	20 - 40,000	700	1000	1200	1400	1600	2000
Jøtul GF 370 DV	18 - 28,000	400	600	800	1000	1200	1300

This heating capacity zone chart is to be used as a guideline only. Square footage measurements may differ due to climate, building construction and location of stove. Approximate BTU output reflects both natural and LP gas applications.



Warranty

Our 5 year warranty: a cast iron promise of quality. Jøtul guarantees the quality of its cast iron components against any defects in materials or workmanship for five years, subject to the exclusions and limitations noted on our warranty. For complete details, ask your Authorized Jøtul Dealer.

Installation

Specifications and dimensions published in this brochure are intended to be used as guidelines for comparison only. Always consult the owner's manual in planning any installation. Specifications and dimensions are subject to change without notice. Contact local building or fire officials regarding restrictions and installation inspection requirements in your area.

Photographs

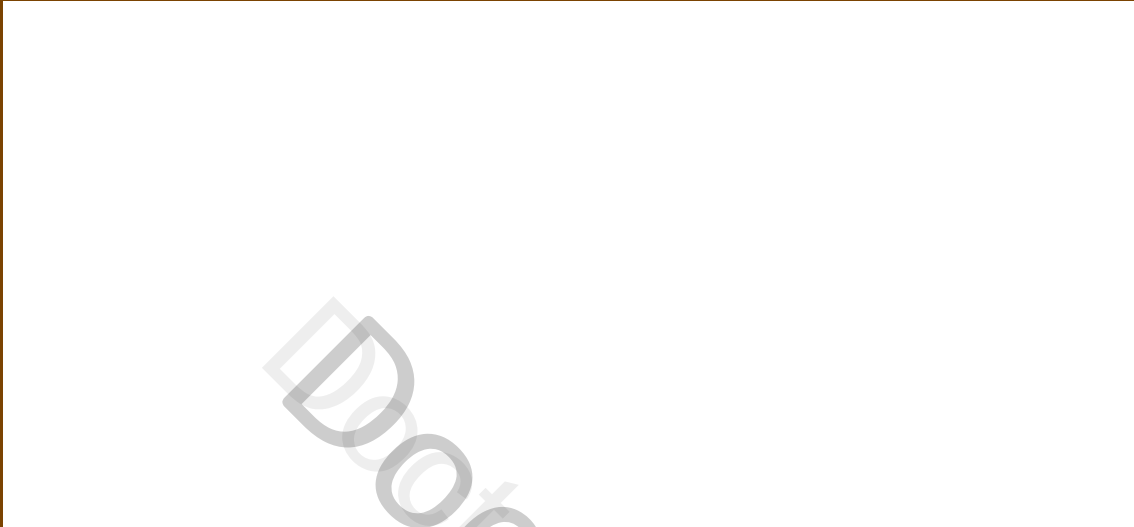
Some settings for the photographs are for aesthetic purposes only and may not comply with installation requirements. Materials, specifications, accessories, colors, and models are subject to change without notice. Some models are shown with optional accessories.

BTU ratings are to be used as a guideline only, and do not imply a guarantee of the heating capacity of the unit.

Hearth Requirements

Jøtul gas stoves cannot be installed directly on carpeting, vinyl, linoleum or Pergo™. If this appliance will be installed on any combustible material other than wood, a floor pad must be installed that is either metal or wood, or a listed hearth pad. This floor protection must extend the full width and depth of the appliance. It is not necessary to remove carpeting, vinyl or linoleum from underneath the floor protection.

Ask your authorized Jøtul Dealer about our full line of cast iron wood and gas stoves, inserts and fireplaces.



DoctordrFluer

Jøtul North America
55 Hutcherson Drive
Gorham, Maine 04038

www.jotul.us

Find us on



Gas Stoves

Printed in U.S.A.
August 2012

