

Valor LIFT FREESTANDING FIREPLACE

LIFT FREESTANDING FIREPLACE COMPONENTS

ENGINES	530ILN	Portrait Log Effect Engine Direct Vent NG
	530ILP	Portrait Log Effect Engine Direct Vent LPG
	530IRN	Portrait Rock Effect Engine Direct Vent NG
	530IRP	Portrait Rock Effect Engine Direct Vent LPG
BODY	575LFC	Lift Freestanding Kit (required)
	578LFC	Lift Front - Charcoal (required)
ACCESSORIES	576LCP	Lower Cover Panel (optional accessory)
	555CFK	Circulating Fan Kit - variable speed, thermally activated
	554LPK	Conversion Kit - NG to LPG
	1265WSK	Valor Wall Switch Kit - (optional accessory)
Contact your local Valor dealer for complete installation requirements		

MODEL/FUEL

Model	Fuel	Max. Input BTU/hr	Min. Input BTU/hr	Fuel Bed Options	Fan Option	Ener-Guide Rating**	AFUE**	Max. Output** (w/out fan) BTU/hr
530ILN 530IRN	NG	20,500	6,500	Log Rock	Yes	69%	69.9%	15,250
530ILP 530IRP	LPG	19,000	12,500	Log Rock	Yes	68.3%	69.7%	14,160

Certified to ANSI Z21.88 / CSA 2.53 Vented Gas Fireplace Heater Standard / CAN 1 - 2.17 Gas Fired Appliances For Use at High Altitude
 ** EnerGuide Ratings and Outputs have been determined without a fan/blower, using the CSA P4.1-02 test method
 ** A.F.U.E. (Annual Fuel Use Efficiency) tested as per 10CFR - 430.23

ABOUT OUR EFFICIENCY RATINGS

At Valor we use recognized Canadian and US government test methods for determining energy efficiency performance. This ensures our products will perform in your home as rated. Beware of misleading "steady state" efficiency claims made by manufacturers using their own "in-house" test methods. Visit valorfireplaces.com for more information.

VALOR ZONE & RADIANT COMFORT

Heating your entire home with a central forced air system wastes valuable energy and is often inefficient. An environmentally friendly and cost effective heat source alternative, Valor fireplaces provide steady, radiant warmth directly where you want it - when you want it.

USE RADIANT HEAT SAFELY

Fireplace surfaces (in particular the glass window) are hot during operation and shortly thereafter, resulting in a potential burning hazard. If small children are present, adult supervision is required. Also note, a child safety screen and barrier is strongly recommended. For further information please visit www.valorfireplaces.com/safety.

LIFT FREESTANDING FIREPLACE



530IL Log Set Engine (shown above) with Lift and Lower Cover Panel (576LCP optional)

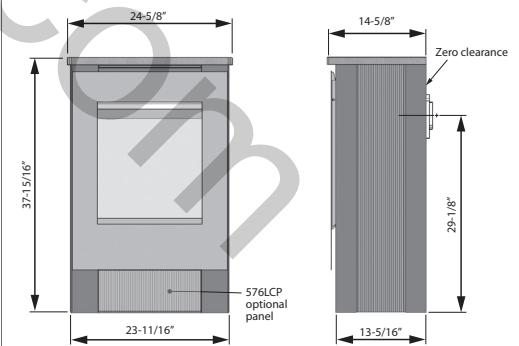
530IR Rock Effect Engine (shown below) with Lift



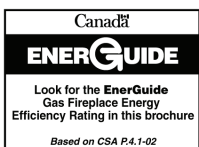
DESIGN DETAIL - Concrete, Casting & Steel



PRODUCT DIMENSIONS



Please Note: All product information is accurate at time of printing and is subject to change. Printed images may vary from actual product. Refer to the Lift and Portrait Series engine manuals for product installation.



Valor THE WISE WAY TO HEAT

Designed and manufactured by:



Copyright Miles Industries Ltd. 2011

Proudly made in North America
BRLIFT11E



Your Authorized Valor Dealer

Printed on recycled paper

valor PORTRAIT SERIES

Efficient. Versatile. Distinct.

LIFT FREESTANDING FIREPLACE



SCAN
QR CODE
WITH SMART PHONE
FOR LIFT VIDEO

valor
Radiant Gas Fireplaces
www.valorfireplaces.com