

valor THE ORIGINAL
RADIANT GAS FIREPLACE

Portrait

Series



Windsor Arch front (539AFBv2) and Coal with Reversible Red Brick liner (530CSK).

A picture says a thousand words

The Valor Portrait Series offers a diverse collection of adaptive fireplace fronts complementing both traditional and contemporary room settings.

Technology

Engineered as a gas **insert** or **zero clearance** fireplace for new construction, depending on your specific need, the Portrait 530 offers two slim design fire box options. Installation possibilities are vast and welcome your architectural and interior design inspirations.

Performance

While the Portrait front collection offers a variety of stunning looks, they all share the same Valor DNA when it comes to heat performance. Powered by Valor's time proven and compact 'fits anywhere' 530 engine, you'll appreciate the Portrait's high performance efficiencies and energy saving features whatever look you decide.

Maximize the heat performance in your home: the **ValorStat programmable remote control** provides convenient, reliable and easy to use features, distributing effective heat—where you want it, when you want.

Design

Hand-crafted castings, high-quality metals and artisan patina finishes are just a few of the many features that define the Portrait Series collection. **Traditional Log, Coal, Rocks,** and **new Driftwood** fire bed options direct steady, radiant warmth, satisfying your home comfort needs.

A distinct collection of fireplace designs, proficient heat capabilities and home installation versatility make the Portrait Series a triple threat. Your living room will be a destination, a gathering place to enjoy time with your family, friends and loved ones.

An industry leader in efficient warmth, steady comfort and home safety, Valor is there for you, sharing these memories for years to come. Valor, warming homes since 1890.





Bolero front (541BPC), Traditional Log with Black Fluted liner (530LSK), and Black closure plate (3336CP).

Clearview

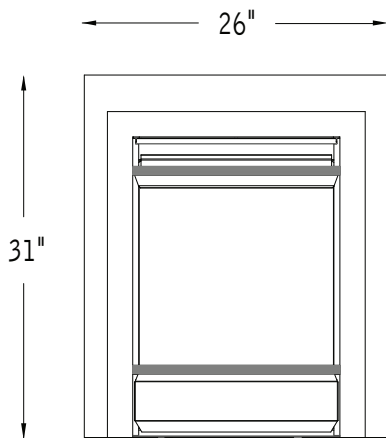
545CF

A design template that is popular across our extensive line of Valor products, the Clearview front offers modern styling, ideal for insert applications in tight spaces and zero clearance new construction.

A wide range of diverse venting solutions unique to the Portrait engine make the Clearview front a perfect upgrade for your home renovation project.



Rocks (53ORSK) with Reflective Glass liner (58ORGL)
Traditional Log, Coal and **new** Driftwood (right) also available.



Clearview zero clearance:
26" w x 30" h





Clearview Insert front (545CFV) and Driftwood (530DWK) with Reflective Glass liner (580RGL).

Ledge

545CF

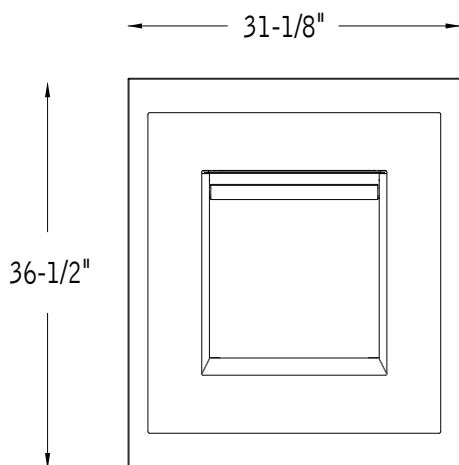
Balancing seamless design with crisp profiles, the Ledge features a beautiful collection of three complementary finishes in black powder coated paint, plated brushed nickel and artisan hand crafted patina.

With minimal impact on actual floor space, the Ledge is ideal for kitchens, dens, lofts and other small spaces.

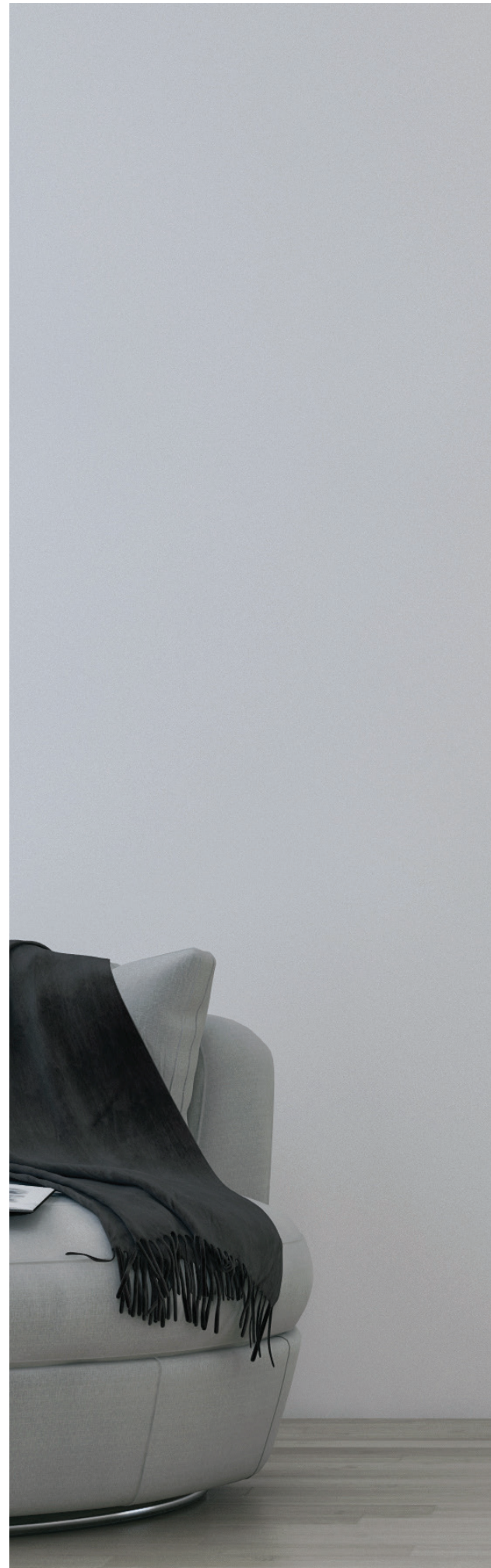
The powder coated backing plate provides a further statement designed to frame the Ledge, adding further depth and contrast.



Ledge Black front (569LFB)



Ledge front without backing plate:
27-3/8" w x 30" h





Ledge Patina front (569LFP), Rocks with Black Fluted liner (53ORSK), and Black Backing plate (570FPB).

Ledgeview

546LF

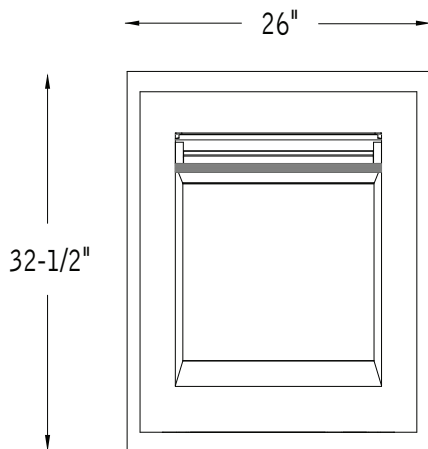
Inspired by Valor's Portrait Ledge, the Ledgeview is slimmer in design, offering a contemporary four-sided front—perfect for existing fireplace upgrades, major renovation or new construction.

The backing plate frames your choice of three high quality front finishes in black and bronze powder coated paint; or plated brushed nickel.

Available as insert and zero clearance, the small footprint presents the Ledgeview as an ideal fireplace for intimate home spaces.



Ledgeview fronts: Bronze (546LFZ) and Black (546LFB)





Ledgeview ZC Brushed Nickel front (546LFNZC); Rocks (530RSK); Reflective Glass liner (580RGL).

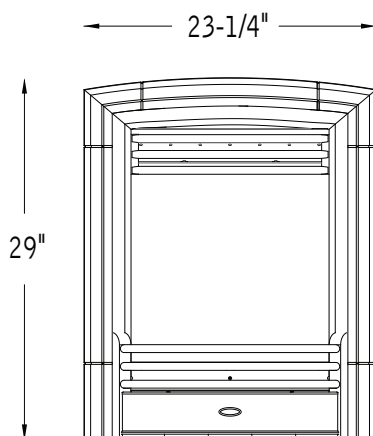
Bolero

541BPC

Designed to fit contemporary spaces both old and new, the Bolero offers a unique look that adapts to your interior.

Cast surfaces are polished smooth, then plated for a stunning finish, etched with crisp dark lines and curved outside contours.

Like all Portrait Series fires, you have the choice between Traditional Log, Coal, Rocks, or **new** Driftwood fire beds; and liners, including Black Fluted, Red Brick or optional Reflective Glass liner.







Windsor Arch front (539AFPv2) with Coal and Black Fluted liner (530CSK).



Windsor Arch

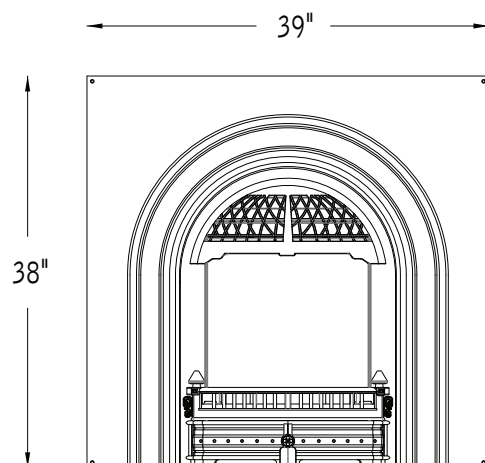
539/549AFPV2

There once was a time when families spent the evening gathered happily around a warm flame, not a television. The Windsor Arch evokes this era, providing timeless beauty and stunning craftsmanship.

Victorian castings feature chrome detailing or simplistic black finishes, both acting as the perfect backdrop as flames radiate steady, even heat for many years to come.



Windsor Arch Chrome front (539AFPv2)



Windsor Arch without backing plate:
31" w x 34" h



Classic Arch Chrome front (550CPAv2) with Coal and Black Fluted liner (530CSK).



Classic Arch

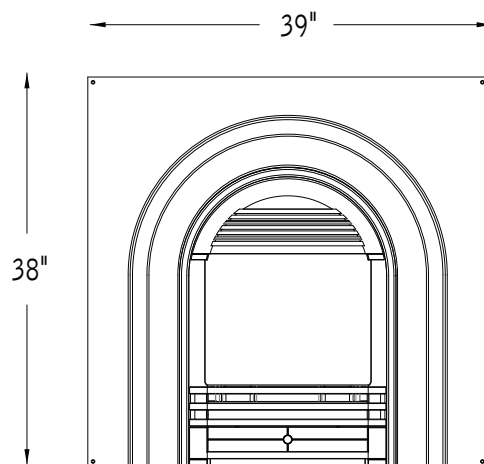
550CPAV2

A modern tribute to the highly successful Windsor Arch front, the Classic Arch features brushed chrome highlights that accentuate cast iron finishes. Chrome curvatures define the fire bed, framing the spectacular flames within.

The Classic Arch's square cast iron plate works perfectly with mantel applications providing a seamless transition to surround finishes.



Traditional Logs with Red Brick liner (530LSK)
Three other fire beds available.



President

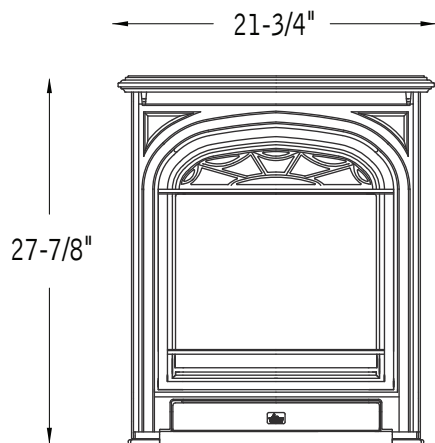
536CXBI

Solid casting with dark, strong features accentuate the President's vertical format. Beautiful attention to detail is apparent as radiant flames illuminate the cast base, reflecting warmth to objects in the room.

Compact closure plate options provide a functional transition to existing stone and mantel work—a welcomed feature when trying to maintain the heritage look of your home.



Coal with Red Brick liner (530CSK)
Three other fire beds available.





President Insert Cast front (536CXBI) with Coal and Black Fluted liner (530CSK); and Black closure plate (582CPB).



Senator Cast front (563SCB) with Traditional Logs and Red Brick liner (530LSK).



Senator

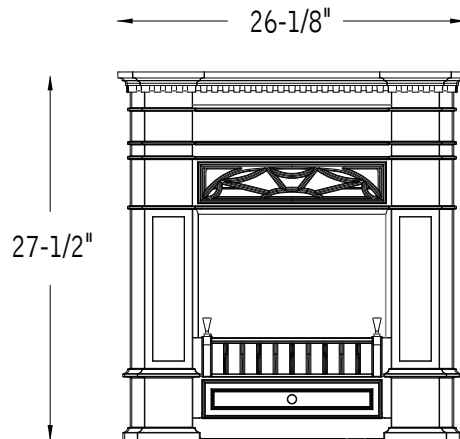
563SCB

Highlighting the fine art of quality cast iron design, the Senator fits comfortably in both well appointed and understated settings.

Attention to detail doesn't go unnoticed as warm flames reflect off the Senator's cast contours and immaculate detailing. Although compact and modest in design, the flames provide powerful Valor radiant warmth.



Senator front (563SCB)



PORTRAIT COMPONENTS

| | | Zero Clearance | Insert |
|----------------------------|-------------|----------------|--------|
| DIRECT VENT ENGINES | Natural Gas | 530IN | 530INI |
| | Propane | 530IP | 530IPI |

| | | | |
|-----------------------------|----------------------|--|--------|
| FUEL BEDS AND LINERS | Coal | Red Brick/ Black Fluted reversible liner | 530CSK |
| | Traditional Log | | 530LSK |
| | Rocks | Black Fluted liner | 530RSK |
| | Driftwood NEW | | 530DWK |

FRONTS

| | | | | |
|--------------|------------------------------|--|----------|---------------|
| Windsor Arch | Black Cast Iron | | 539AFBv2 | 549AFBv2 |
| | Chrome Highlights Iron Cast | | 539AFPv2 | 549AFPv2 |
| Classic Arch | Chrome Highlights Iron Cast | | 550CPAv2 | OK as insert* |
| Clearview | Black/Vintage Iron with Fret | | 545CFVZC | 545CFV |
| Ledgeview | Black | includes Firebox Grille panel (567FGP) | 546LFBZC | 546LFB |
| | Brushed Nickel | | 546LFNZC | 546LFN |
| | Bronze | | 546LFZC | 546LFZ |
| Ledge | Black | | 569LFB | n/a |
| | Brushed Nickel | | 569LFN | |
| | Patina | | 569LFP | |
| President | Black Cast Iron | | 536CXB | 536CXBI |
| Senator | Black Cast | | 563SCB | OK as insert* |
| Bolero | Polished Cast Iron | | 541BPC | OK as insert* |

| | | Fits: | Fits: |
|--------------------------------|-----------------|--------|---|
| BACKING PLATES Black | 36" w x 33" h | 3336CP | • President • Bolero • Senator |
| | 26" w x 31" h | 582CPB | • President • Windsor • Senator |
| | 30" w x 33" h | 583CPB | • President • Clearview • Bolero • Senator |
| | 31½" w x 36½" h | 570FPB | • Ledge |

| | | |
|-----------------|----------------------------------|----------------------|
| OPTIONAL | Reflective Glass liner | 580RGL |
| | Traditional Black Cast Iron fret | 545TFB |
| | Firebox Grille panel | 567FGP except Coals. |
| | 1 Hour Shut Down Handset | GV60BRK |
| | Non-Thermostat Handset | GV60NTK |
| | Wall Switch | 1265WSK |
| | Remote Battery and Wall Switch | RBWSK |
| | Outdoor Conversion Kit | GV60CKO |

* To use as insert, please contact your local dealer for more information.

About our efficiency ratings

While the North American fireplace industry is largely self-regulated, at Valor we use recognized Canadian and US government testing methods to determine our energy efficiencies, and ensure our products perform in your home as rated.

Visit valorfireplaces.com/efficiency for more information.

| MODEL / FUEL BTU/hr | Model | Fuel | Max. Input | Min. Input | EnerGuide* | Max. Output* w/o fan |
|------------------------|--------|------|------------|------------|------------|----------------------|
| | 530IN | NG | 20,500 | 6,500 | 70.2% | 15,117 |
| | 530IP | LPG | 19,000 | 12,500 | 70% | 14,476 |
| | 530INI | NG | 20,500 | 6,500 | 64% | 13,223 |
| | 530IPI | LPG | 19,000 | 12,500 | 66% | 13,100 |

Certified to ANSI Z21.88-2014/ CSA 2.33-2014 Vented Gas Fireplace Heater American National Standard. CGA - 2.17-91 Gas Fired Appliances for use at High Altitudes

* EnerGuide Ratings and Outputs have been determined without a fan/blower, using the CSA P4.1-15 test method.

PORTRAIT DIMENSIONS

Zero Clearance: Framing

| | h | w | d |
|--------------|------|------|------|
| President | 38" | 26¼" | 11" |
| Senator | | | 12" |
| Bolero | | | 13⅝" |
| Windsor Arch | 37" | 26¼" | 12" |
| Classic Arch | | | 13⅝" |
| Clearview | 32" | 22½" | 12¾" |
| Ledgeview* | | | 12¾" |
| Ledge | 30¼" | | |

Allow for more depth if using a rear vent elbow.



* Ledgeview is a 4-sided front and must sit a minimum 1½" above the hearth.

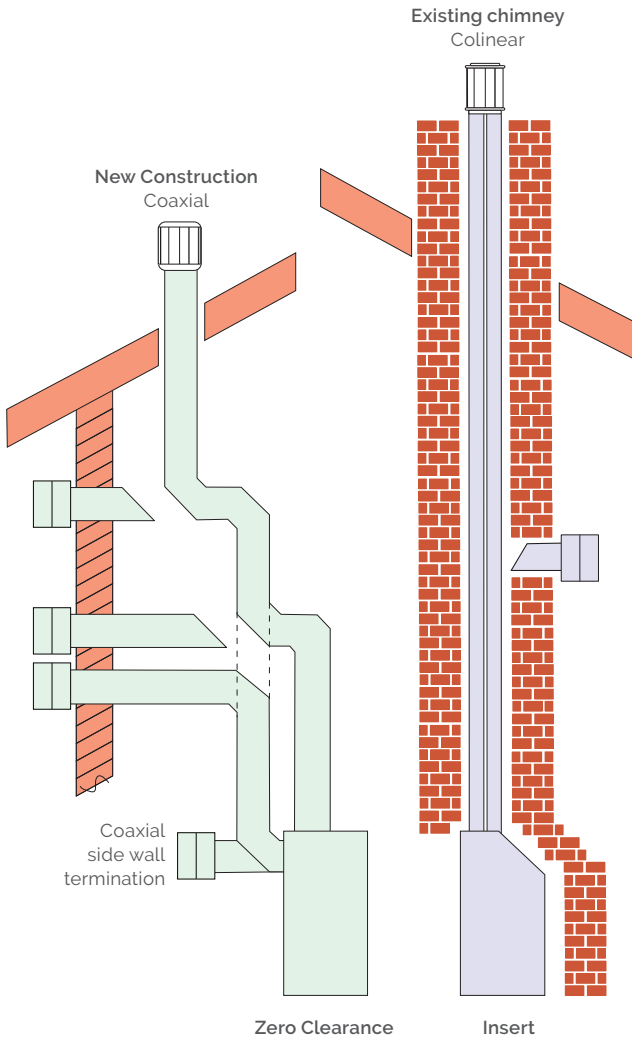
Insert: Minimum Cavity

| | h | w | d |
|--------------|------|------|------|
| President | 25¼" | 20" | 9" |
| Senator | | | 10" |
| Bolero | | | 11½" |
| Windsor Arch | 25¼" | 20" | 11½" |
| Classic Arch | | | 11½" |
| Clearview | 32" | 22½" | 11⅝" |
| Ledgeview* | | | 11⅝" |

Always refer to the manual for complete installation instructions.

VENTING OPTIONS

Maximum vertical vent run:
40 feet in total length.

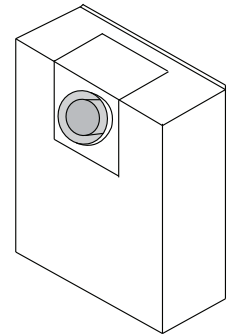


ENGINE OPTIONS

Zero Clearance

530IN/530IP

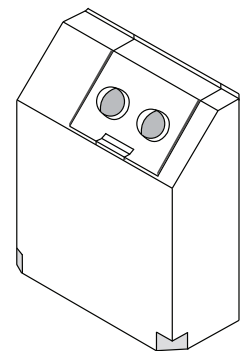
- Coaxial venting ideal for built-in ZC applications.
- Slim engine depth.
- Direct vent coaxial system convertible to colinear.
- Engine can be either top or rear vented.
- Improved window latch for ease of service.



Insert

530INI/530IPI

- Colinear vent collar plate ideal for inserting into existing solid fuel fireplaces.
- Tapered fire box venting and slim design for fitting difficult chimney cavities.
- Adaptable direct vent colinear flex venting system.
- Removable tapered venting collar for ease of install.
- Improved window latch for ease of service.





Windsor Arch Black front (549AFBv2) and Traditional Log s with Red Brick liner (530LSK).

SmartFire by Valor

RADIANT HEAT

Like heat from the sun, Valor fireplaces distribute radiant warmth directly to your living space. Radiant heat satisfies human comfort needs, using up to 25% less energy compared to traditional forced air systems. Valor warmth efficiently replaces the chill from cold windows and doors, providing steady, even heat to people and objects in the room.



PACIFIC NORTHWEST DESIGN, DEVELOPMENT & DISTRIBUTION

Locally owned and operated in the Pacific Northwest, every Valor fireplace is designed, developed and manufactured exclusively for North America. With a proven product family history, Valor continues to introduce unique fireplaces that stand the test of time.

EASY CONTROL

Standard with every fireplace, our ValorStat remote control adjusts the flame up or down to match the heat output of your needs, providing a constant comfort level as the room warms or as the outside temperature falls—a fireplace for all seasons.



THE COMFORT ZONE

Reduce your furnace's output of hot air into empty rooms and unused spaces.

Zone heating requires no ducting or forced air, delivering radiant and convective warmth to the spaces you frequent the most. Where you want it—when you want it.



BURN CLEAN, ENGINEERED GREEN

Natural gas is the cleanest fireplace fuel you can burn, with the lowest particulate levels and lowest levels of greenhouse gases.

Valor specializes in the design of clean heat solutions for your home.



PRODUCT VERSATILITY

Known for our versatility in the field, Valor products are extremely diverse in their application and design. New construction or home renovation—gas inserts, zero clearance and freestanding fireplaces provide a wide range when selecting the ideal fireplace to suit your personal heating needs.



SAVINGS

Your pilot flame will automatically turn off if your fireplace is inactive for over five days, saving energy and lowering overall home heating costs.

Keep forgetting to turn down your fireplace? Set the ValorStat to automatically turn down after six hours.



NO POWER, NO PROBLEM.™

If the power fails in the winter your home can get cold fast. Valor fireplaces are fully functional heaters that don't need electricity. Our fireplaces provide the perfect mixture of radiant and convective heat, eliminating the need for a fan. No power, no problem.



NO FAN NECESSARY

We firmly believe that you shouldn't put up with the constant buzz of a fan to be warm. That's why we designed glowing fires to radiate heat and secondary heat exchangers to naturally circulate warm air by convection throughout the room. While a fan is an option, you'll likely find it unnecessary.



RELIABILITY

With over 100 years in the heating industry, we take pride in providing high-quality, safe products.

Engineered to provide peace of mind, every Valor product undergoes extensive safety testing before it reaches our customer.

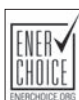
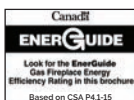
That's why many customers own more than one Valor fireplace in their lifetime.



FIREPLACE SAFETY — USE RADIANT HEAT SAFELY

Fireplace surfaces, in particular the glass viewing window, are extremely hot during operation and will remain hot for a period of time after the fireplace is turned off. Contact with the hot glass can cause severe burns. Close adult supervision is required if there are young children, or at-risk individuals in the house. Included with your purchase, a Valor barrier screen is recommended at all times. Install an approved aftermarket safety gate to keep toddlers, young children and at-risk individuals a safe distance from the fireplace.

For more information please visit valorfireplaces.com/safety.



Proudly made in North America

Copyright Miles Industries Ltd. 2017
Designed and manufactured by:





Clearview Insert front (545CFV) and Driftwood (530DWK) and Reflective liner (580RGL).

valor[®]
THE ORIGINAL
RADIANT GAS FIREPLACE™

valorfireplaces.com

Your Authorized Valor Dealer

BRPORT17E—sep2017