

valor THE ORIGINAL™
RADIANT GAS FIREPLACE

Legend G3

Insert Series



Clearview Front (745CFV) with Clearview Access Panel (740CAP), Driftwood (739DWK),
Fluted Black liner (739FBL), and Square trim in Black Powder Coat (756STB).

Legend G3

First introduced in 1991, we continually adapt and improve on all aspects of the G3, our flagship line, to exceed the expectations of Valor customers—the industries number one selling radiant gas insert.

Ideal for replacing old wood fireplaces, the G3 features

Efficient radiant heat performance

Increase your home's overall energy efficiency—and comfort level. The Valor fireplace family showcases over a century of advancements in radiant heat technology and distinct hearth designs for your home.

AutoFire **NEW!**

1. Makes initial startup easier by automatically adjusting air flow within the fireplace,
2. Provides improved operating efficiencies—saving you energy.
3. Fine tunes your fireplace for peak performance in ways fixed restrictors cannot—an industry first.

Valor Remote Control

With your thermostat at your fingertips, the remote is convenient, reliable and easy to use, helping you program direct warmth. Wireless connection simplifies installation.

Zone heating

Bring the comfort of radiant and convective warmth to the spaces you frequent most in your home—no ducting or forced air required.

Superior Construction

- Double-sided aluminized steel firebox and trims prevent rusting and wear.
- High-grade, powder coated paint maintains the appearance and ensures longlasting enjoyment.
- Aerodynamic firebox shape quietly and efficiently moves constant, steady heat into the room—without a fan.

Design choices

Choose from endless design combinations with 10 stunning fireplace fronts and 17 surrounds in both traditional and contemporary appeal.



Secondary **HeatExchange**

G3's built-in secondary heat exchanger naturally enhances the convected heat, removing the need for a fan. No electrical hookup required, saving you money.



Contemporary front (765CSN) with Driftwood (739DWK), Black Fluted Liner (739FBL), and Black Picture Frame (764PFB).

Fronts and

With ten fronts and 17 surrounds, your choices are plentiful when it comes to the G3's design. While some, like the Clearview and the Contemporary fronts, are quite modern, our Contour and Deluxe surrounds suggest a classic style.



| | |
|--------------------------|--------|
| Clearview Front | 745CFV |
| Clearview Cast fret | 758CCB |
| Vintage Iron Square Trim | 757STV |



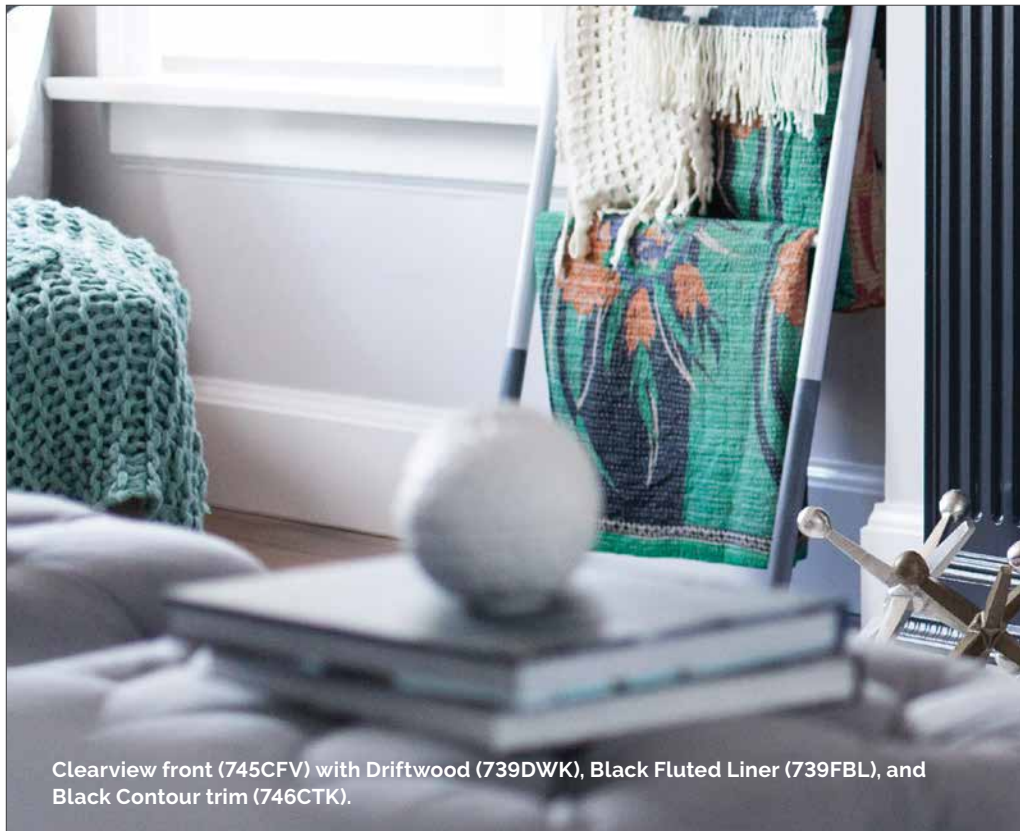
| | |
|---------------------------|--------|
| Copper Contemporary Front | 765CSC |
| Black Square Trim | 756STB |



| | |
|----------------------------|--------|
| Clearview Front | 745CFV |
| Clearview Fret | 758CCB |
| Brushed Nickel Square Trim | 756STP |



| | |
|----------------------|---------|
| Clearview Front | 745CFV |
| Ventana Fret | 1225VFB |
| 2" Black Square Trim | 767STB |



Clearview front (745CFV) with Driftwood (739DWK), Black Fluted Liner (739FBL), and Black Contour trim (746CTK).



| | |
|---------------------------------|--------|
| Vintage Iron Contemporary Front | 741SVI |
| Vintage Iron Contour Trim | 746VIK |



| | |
|------------------------------|--------|
| FenderFire Single Door Front | 744FVI |
| Vintage Iron Cast Surround | 715CVI |

Surrounds

For a full selection of styles, visit

valorfireplaces.com/G3

or build your own custom design with
Valor's new Design Center,

design.valorfireplaces.com



| | |
|----------------------------|--------|
| Black Contemporary Front | 765CSB |
| Brushed Nickel Square Trim | 756STP |



| | |
|--------------------------|--------|
| Clearview Front | 745CFV |
| Clearview Access Panel | 740CAP |
| Vintage Iron Square Trim | 756STV |



| | |
|-------------------|---------|
| Black Matte Front | 772MBF2 |
| Black Square Trim | 756STB |



| | |
|--------------------------|--------|
| Black Contemporary Front | 741SFB |
| Black Contour Trim | 748CTK |



| | |
|------------------------|--------|
| Traditional Cast Front | 742CFB |
| Black Deluxe Trim | 747DTK |



| | |
|------------------------|--------|
| FenderFire Double Door | 743FVI |
| Oversized Trim | 753OTK |

G3 COMPONENTS

| ENGINE | | | |
|-------------|-----|-------|--|
| Direct Vent | NG | 739MN | |
| | LPG | 739MP | |
| B-Vent | NG | 738JN | |
| | LPG | 738JP | |

| FUEL BEDS | | |
|------------------|--------|--|
| Driftwood | 739DWK | |
| Traditional Logs | 739LSK | |
| Rocks | 739RSK | |

| LINERS | | |
|------------------|--------|--|
| Fluted Black | 739FBL | |
| Red Brick | 739VRL | |
| Reflective Glass | 739RGL | |

| FRONTS | | | | | | | |
|------------------|------------------------|--------------------|---------|--------------------------------------|------------------------|--------------------|---------|
| | Clearview | Black/Vintage Iron | 745CFV | ▶ Select a fret for Clearview front: | Clearview Access Panel | Black | 740CAP |
| | Contemporary | Black | 741SFB | | Clearview Cast fret | Black/Vintage Iron | 758CCB |
| | | Vintage Iron | 741SVI | | Ventana Fret | Black | 1225VFB |
| | Traditional Cast Iron | Black | 742CFB | | | | |
| | FenderFire Double Door | Black/Vintage Iron | 743FVI | | | | |
| | FenderFire Single Door | | 744FVI | | | | |
| direct vent only | Contemporary | Black | 765CSB | | | | |
| | | Copper | 765CSC | | | | |
| | | Brushed Nickel | 765CSN | | | | |
| | | Painted Nickel | 765CSPN | | | | |
| | Matte Black | Matte Black | 772MBF2 | | | | |

SURROUNDS

| | | | | |
|------------------|----------------------|--------------|---------------|---|
| 3-sided | Contour | Black | 746CTK | 26¾"h x 36½"w |
| | | Vintage Iron | 746VIK | |
| | Deluxe | Black | 747DTK | |
| | | Vintage Iron | 747VIK | |
| | Oversized | Black | 753OTK | 31"h x 45-3/16"w |
| | | Vintage Iron | 753OTV | |
| Square (2") | Black | 767STB | 25⅝"h x 34⅜"w | |
| Square | Black | 756STB | 27⅝"h x 37½"w | |
| | Vintage Iron | 756STV | | |
| | Brushed Nickel | 756STP | | |
| Cast Plate | Vintage Iron | 715CVI | 29"h X 41"w | |
| 4-sided | Contour | Vintage Iron | 748CTK | 30¼"h x 36½"w |
| | Deluxe | Black | 749DTK | |
| | | Vintage Iron | 749VIK | |
| | Square | Black | 757STB | 31⅝"h x 37½"w |
| Vintage Iron | | 757STV | | |
| direct vent only | Picture Frame Square | Black | 764PFB | 27⅝"h x 39½"w For contemporary fronts (765). |

BACKING/ CLOSURE PLATES

| | | | |
|--------------------------|--------------|--------|--|
| Closure Plate, oversized | Black | 750OCP | 29½"h x 42"w max. coverage Use with Contour and Deluxe trims. |
| | Vintage Iron | 750OVI | |
| Backing Plate | Black | 763BPB | 30½"h X 42"w Use with direct vent only. |

| | | | |
|-----------------|------------------------------|-------------------|---|
| OPTIONAL | Temperature Reduction Baffle | 762TRB | |
| | Riser, Black | 751LTK and 752BTK | |
| | Riser, Vintage Iron | 751LVK and 752BVK | |
| | Decorative Rock | 761DRK | Use with rock fuel bed |
| | Zero Clearance Kit | 770ZCK | b-vent only |
| | Valor Wall Switch | 1265WSK | Use with ValorStat handset, 739 model only. |

| MODEL/ FUEL BTU/hr | Model | Fuel | Fan Option | Remote System | Max. Input BTU/hr | Min. Input | EnerGuide | Max. Output w/o fan* |
|-----------------------------------|-------|------|---------------|------------------|----------------------|------------|-----------|-------------------------|
| | 738JN | NG | No | ValorStat | 24,000 | 6,500 | 59% | 16,169 |
| | 738JP | LPG | No | ValorStat | 24,000 | 13,000 | 59% | 16,169 |
| | 739MN | NG | Yes | ValorStat Plus | 24,000 | 6,500 | 70.3% | 18,132 |
| | 739MP | LPG | Yes | ValorStat Plus | 24,000 | 13,000 | 70.3% | 18,132 |

Certified to ANSI Z21.88-2014/ CSA 2.33-2014 Vented Gas Fireplace Heater American National Standard
CGA — 2.17-91 Gas Fired Appliances for use at High Altitudes

* EnerGuide Ratings and Outputs have been determined without a fan/blower, using the CSA P4.1-15 test method



Matte Black front (772MBF2) with Rocks (739RSK) and optional Decorative Rock (761DRK);
Black Fluted Liner (739FBL); and Black Square trim (756STB).

Please Note: Printed images may vary from actual product. Refer to the 738/739 Legend G3 Insert Series engine manual for product installation. All product information is accurate at time of printing and is subject to change.

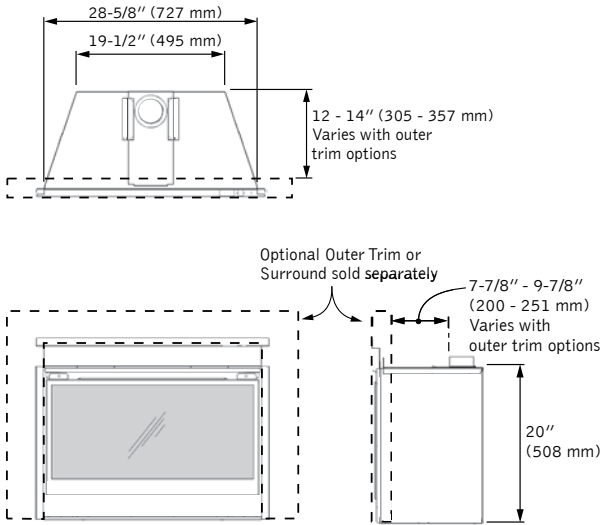
For more information visit valorfireplaces.com



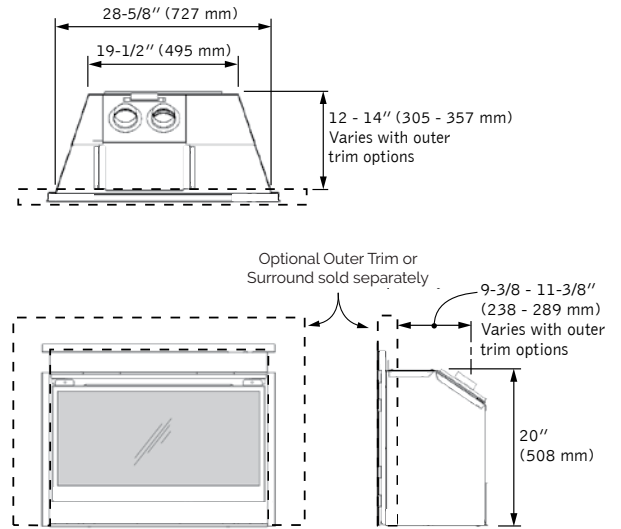
FenderFire Double Door front (743FVI) with Traditional Logs (739LSK), Black Fluted Liner (739FBL), and Deluxe trim (747DTK).

G3 SPECIFICATIONS

B-VENT 738

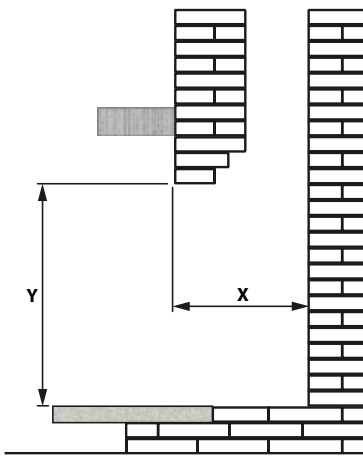


DIRECT VENT 739



Always refer to the manual for complete installation instructions.

MINIMUM CAVITY DIMENSIONS

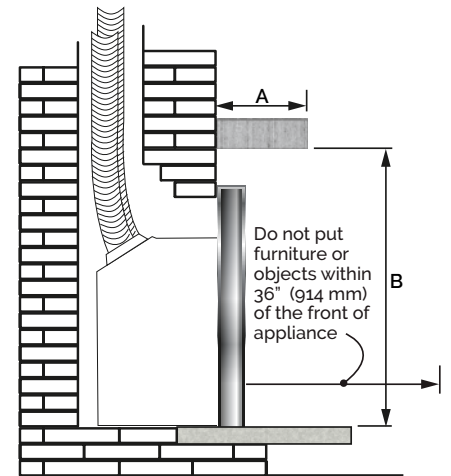
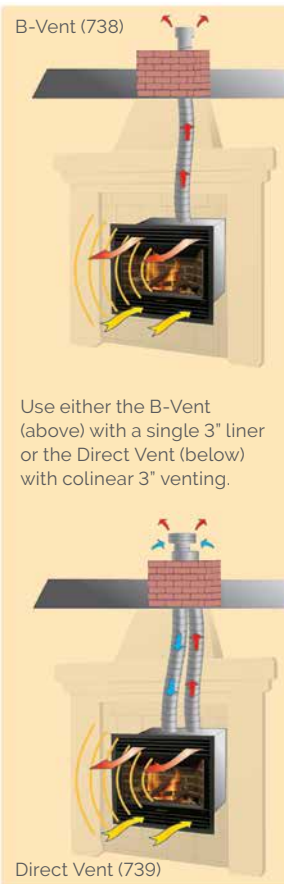


Minimum depth (X) = 12-14" (305-357 mm)—varies with outer trim options.
 Minimum height (Y) = 20" (508 mm); 24" (610 mm) when using 763BPB Backing Plate.
 Minimum width of fireplace opening at front is 28" (711 mm).
 Note: check that masonry step does not interfere with install dimensions or vent pipe.

VENTING AND MANTEL CLEARANCES



Colinear Side Wall Kit (720SWK) available for Direct Vent Engine (not shown).



| | | | | |
|----|--------------|------------------|---------------|---------------|
| A | 1" (25 mm) | 1-6" (25-152 mm) | 9" (229 mm) | 12" (305 mm) |
| B* | 36" (914 mm) | 39" (991 mm) | 42" (1067 mm) | 45" (1143 mm) |

*Measure taken from the underside of the mantel to finished hearth or surface that the unit is sitting on.
 Sidewall Clearances: minimum distance from side of appliance (liner box) to combustible wall—9" (229 mm)



Picture courtesy of Mantel Fashioning Canada | mantelfashioning.ca

FenderFire Single Door front (744FVI) with Traditional Logs (739LSK), Black Fluted Liner (739FBL), and Cast Iron trim in Vintage Iron (715CVI).

SmartFire by Valor

RADIANT HEAT

Like heat from the sun, Valor fireplaces distribute radiant warmth directly to your living space. Radiant heat satisfies human comfort needs, using up to 25% less energy compared to traditional forced air systems. Valor warmth efficiently replaces the chill from cold windows and doors, providing steady, even heat to people and objects in the room.



PACIFIC NORTHWEST DESIGN, DEVELOPMENT & DISTRIBUTION

Locally owned and operated in the Pacific Northwest, every Valor fireplace is designed, developed and manufactured exclusively for North America. With a proven product family history, Valor continues to introduce unique fireplaces that stand the test of time.

EASY CONTROL

Standard with every fireplace, our ValorStat remote control adjusts the flame up or down to match the heat output of your needs, providing a constant comfort level as the room warms or as the outside temperature falls—a fireplace for all seasons.



THE COMFORT ZONE

Reduce your furnace's output of hot air into empty rooms and unused spaces.

Zone heating requires no ducting or forced air, delivering radiant and convective warmth to the spaces you frequent the most. Where you want it—when you want it.



BURN CLEAN, ENGINEERED GREEN

Natural gas is the cleanest fireplace fuel you can burn, with the lowest particulate levels and lowest levels of greenhouse gases.

Valor specializes in the design of clean heat solutions for your home.



PRODUCT VERSATILITY

Known for our versatility in the field, Valor products are extremely diverse in their application and design. New construction or home renovation—gas inserts, zero clearance and freestanding fireplaces provide a wide range when selecting the ideal fireplace to suit your personal heating needs.



SAVINGS

Your pilot flame will automatically turn off if your fireplace is inactive for over five days, saving energy and lowering overall home heating costs. Keep forgetting to turn down your fireplace? Set the ValorStat to automatically turn down after six hours.



NO POWER, NO PROBLEM.™

If the power fails in the winter your home can get cold fast. Valor fireplaces are fully functional heaters that don't need electricity. Our fireplaces provide the perfect mixture of radiant and convective heat, eliminating the need for a fan. No power, no problem.



NO FAN NECESSARY

We firmly believe that you shouldn't put up with the constant buzz of a fan to be warm. That's why we designed glowing fires to radiate heat and secondary heat exchangers to naturally circulate warm air by convection throughout the room. While a fan is an option, you'll likely find it unnecessary.



RELIABILITY

With over 100 years in the heating industry, we take pride in providing high-quality, safe products. Engineered to provide peace of mind, every Valor product undergoes extensive safety testing before it reaches our customer. That's why many customers own more than one Valor fireplace in their lifetime.

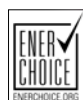
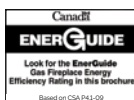


FIREPLACE SAFETY — USE RADIANT HEAT SAFELY

Fireplace surfaces, in particular the glass viewing window, are extremely hot during operation and will remain hot for a period of time after the fireplace is turned off. Contact with the hot glass can cause severe burns. Close adult supervision is required if there are young children, or at-risk individuals in the house. Included with your purchase, a Valor barrier screen is recommended at all times. Install an approved aftermarket safety gate to keep toddlers, young children and at-risk individuals a safe distance from the fireplace.

For more information please visit valorfireplaces.com/safety.

Copyright Miles Industries Ltd. 2017
Designed and manufactured by:



Proudly Made in North America





Contemporary Brushed Nickel front (765CSN) with Rocks (739RSK), Black Fluted Liner (739FBL), and Black Picture Frame (764PFB).

valor[®]
THE ORIGINAL
RADIANT GAS FIREPLACE™

valorfireplaces.com

Your Authorized Valor Dealer

BRLEG317aE — Sep 2017