

valor THE ORIGINAL
RADIANT GAS FIREPLACE

Legend G3.5

Insert Series



G3.5 700X with Pebble Beach Driftwood (700XDWK), Black Fluted liner (707FBL), and Edgemont Vintage Iron front (721EDV) with a 4-sided Black trim (719BPB).



G3.5 (700J) with Rocks (701RSK), Reflective Glass liner (706RGL), 3-sided Brushed Nickel front (709FTP) and a 3-sided Black backing plate (714BPB).



Legend G3.5

With over two decades of design innovation and four generations of Legend gas insert DNA, now more than ever the Legend G3.5 exudes radiance, high efficiency and the ultimate in comfort control.

DESIGN

Take advantage of the G3.5's full view appeal: personalize your fireplace with twelve contemporary trims and a full selection of fire beds.

CONSTRUCTION

- Corrosion-resistant aluminized steel firebox and trims prevent rusting and wear.
- High-grade, powder coated paint maintains the appearance and ensures longlasting enjoyment.
- Aerodynamic firebox shape quietly and efficiently moves constant, steady heat into the room—without a fan.

INSTALLATION

Fireplace surrounds include both three and four-sided designs, providing a more flexible installation into your existing hearth.

PERFORMANCE

Valor continually upgrades the overall performance of the G3.5:

- 6.5% improvement in EnerGuide's efficiency rating, thanks to Valor's **AutoFire**.
- Maximum controllability with the ValorStat Max remote.
- Natural convection helps circulate warmth, removing the need for a fan.

NEW

Exclusive to Valor, **AutoFire**:

1. Makes initial startup easier by automatically adjusting air flow within the fireplace,
2. Provides improved operating efficiencies—saving you energy.
3. Fine tunes your fireplace for peak performance in ways fixed restrictors cannot—an industry first,

Surround Options

Edgemont fronts



701RSK Rocks

706RGL Reflective Glass liner

721EDV Vintage Iron front and

717BPB 3-sided Black trim

Edgemont Hammered fronts



700XDGS Decorative Glass

706RGL Reflective Glass liner

716EHV Hammered Vintage Iron front

717BPB 3-sided Black trim

Floating fronts



702LSK Traditional logs

708VRL Valor Red Brick liner

713FFV 4-sided Vintage Iron front



702LSK Traditional logs

707FBL Fluted Black liner

721EDN Brushed Nickel front and

717BPB 3-sided Black trim



700XDWK Pebble Beach Driftwood

707FBL Fluted Black liner

716EHC Hammered Copper front and

719BPB 4-sided Black trim



702LSK Traditional logs

707FBL Fluted Black liner

709FTP 3-sided Brushed Nickel front

714BPB 3-sided Black backing plate



701RSK Rocks

707FBL Fluted Black liner

721EDZ Bronze front and

717BPB 3-sided Black trim



700XDGM Murano Glass

706RGL Reflective Glass liner

716EHOZ Hammered Oiled Bronze front

717BPB 3-sided Black trim



702LSK Traditional logs

705LSL Ledgestone liner

709FTZ 3-sided Bronze front



G3.5 (700J) with Traditional logs (702LSK), Red Brick liner (708VRL), Floating front in Vintage Iron (709FTV), and Black backing plate (710BPB).



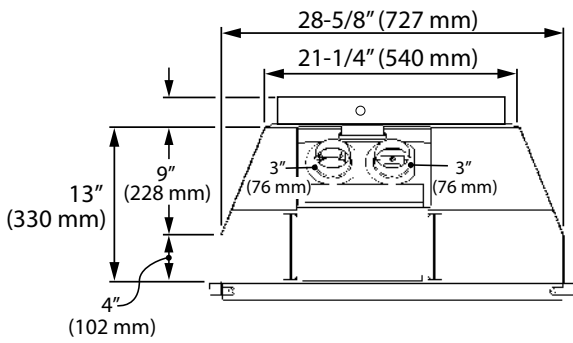
G3.5 (700X) with Murano Glass (700XDGM), Fluted Black liner (707FBL), and Floating front in Vintage Iron (709FTV).

LEGEND G3.5 INSERT FIREPLACE COMPONENTS

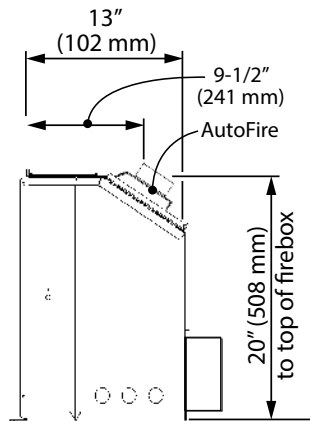
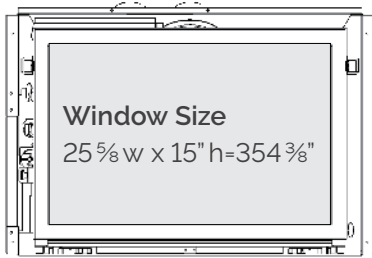
ENGINE direct vent	700JN	Stainless Burner:	fits Rocks and Traditional logs fire beds			
	700JP	Natural Gas or Propane				
	700XN	Ceramic Burner:	fits Pebble Beach Driftwood, Murano Glass and Decorative Glass fire beds.			
	700XP	Natural Gas or Propane				
FUEL BED	701RSK	Rocks	fits Stainless burner			
	702LSK	Traditional Logs				
	700XDWK	Pebble Beach Driftwood	fits Ceramic burner			
	700XDGM	Murano Glass				
	700XDGS	Decorative Glass				
LINER	705LSL	Ledgestone	fits both Ceramic and Stainless burners			
	706RGL	Reflective Glass				
	707FBL	Fluted Black				
	708VRL	Valor Red Brick				
FRONT Floating	709FTB	Black	3-sided (33 ³ / ₄ "w x 23 ⁵ / ₈ "h)			
	709FTP	Brushed Nickel				
	709FTV	Vintage Iron				
	709FTZ	Bronze				
	713FFB	Black	4-sided (34 ¹ / ₂ "w x 27 ¹⁵ / ₁₆ "h)			
	713FFV	Vintage Iron				
FRONT Edgemont	716EHC	Hammered Copper	Requires trim: 3-sided 717BPB or 4-sided 719BPB.			
	716EHV	Hammered Vintage Iron				
	716EHOZ	Hammered Oiled Bronze				
	721EDN	Brushed Nickel				
	721EDV	Vintage Iron				
	721EDZ	Bronze				
TRIM Edgemont	717BPB	Black, 3-sided	fits Edgemont fronts (36 ¹ / ₄ "w x 26 ¹ / ₂ "h)			
	719BPB	Black, 4-sided	fits Edgemont fronts (36 ¹ / ₄ "w x 29 ¹ / ₄ "h)			
BACKING PLATE Optional	710BPB	Black, 3-sided	fits 709 Floating fronts (37 ³ / ₄ "w x 26 ⁷ / ₈ "h x ⁹ / ₁₆ "d)			
	714BPB	Black, 3-sided	fits 709 Floating fronts (42"w x 29"h x ⁹ / ₁₆ "d)			
RISER Optional	725RTB	Black	40"w x 2 ¹ / ₂ "h			
	793RTB	Black	46 ¹ / ₄ "w x 2 ¹ / ₂ "h			
	793RTV	Vintage Iron	46 ¹ / ₄ "w x 2 ¹ / ₂ "h			
FUEL BTU/hr	Model	Fuel	Max. Input	Min. Input	Max. Output w/o fan*	EnerGuide*
	700JN/XN	NG	26,000	10,000	18,642	70.03%
	700JP/XP	LPG	24,000	13,000	17,825	70.40%

*EnerGuide Ratings and Outputs have been determined without a fan/blower, using the CSA P4.1-15 test method.
 Certified to ANSI Z21.88-2014/ CSA 2.33-2014 Vented Gas Fireplace Heater American National Standard. CGA – 2.17-91
 Gas Fired Appliances for use at High Altitudes.

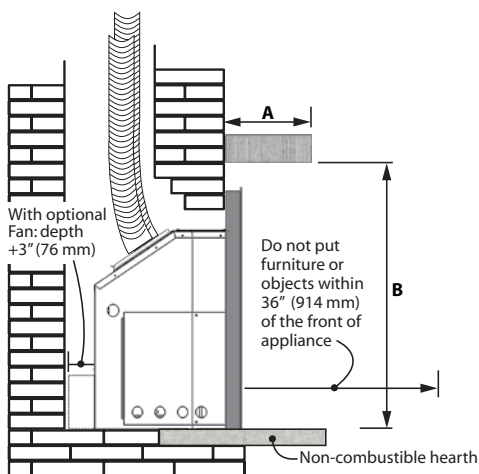
G3.5 DIMENSIONS



Always refer to the manual for complete installation instructions.



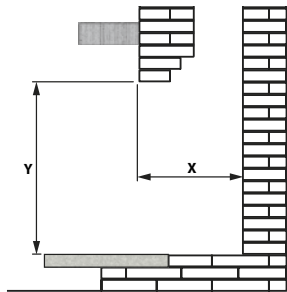
MANTEL CLEARANCES



Mantel Projection A	0-6"	8"	10"	12"
	0-152 mm	203 mm	254 mm	305 mm
Mantel Height B*	33"	35"	37"	39"
	838 mm	890 mm	940 mm	990 mm

*Measured from underside of mantel to finished hearth or surface that unit sits on.

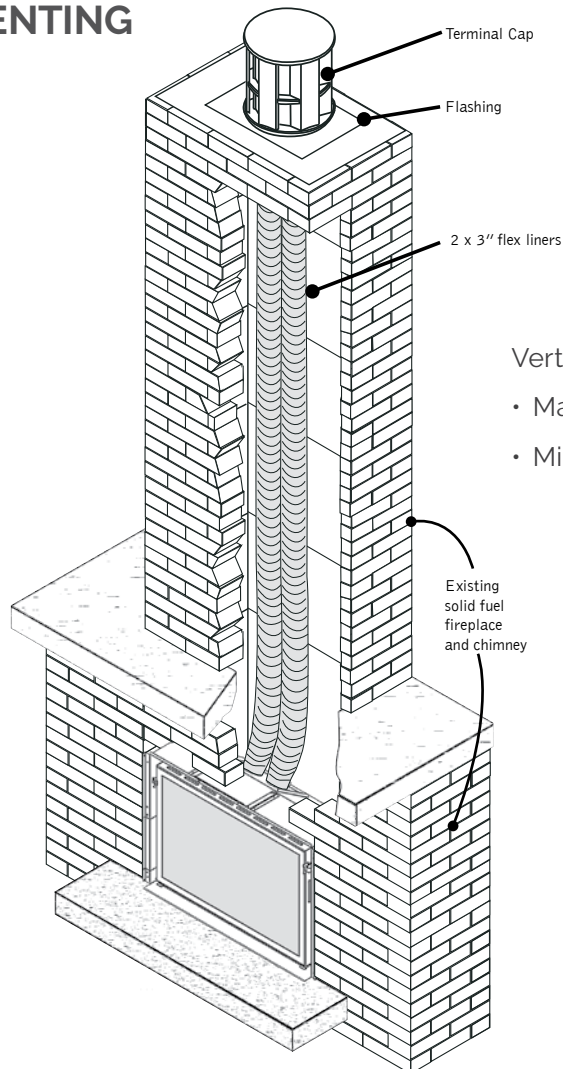
MINIMUM CAVITY DIMENSIONS



depth (X)	13½" (343 mm)
depth (X) with fan	16½" (420 mm)
height (Y)	20½" (521 mm)
width, fireplace opening	28⅞" (734 mm)

Installation reminder: Check that masonry step does not interfere with install dimensions or vent pipe. A non-combustible hearth is required.

VENTING



Vertical vent run:

- Max. 40 feet
- Min. 10 feet

Turn a highly inefficient, energy loss—your old wood fireplace—into an air-sealed, energy efficient and easy-to-use source of home comfort.



G3.5 (700J) includes Traditional Logs (702LSK), Fluted Black liner (707FBL) and 4-sided Floating front (713FFB).

SmartFire by Valor

RADIANT HEAT

Like heat from the sun, Valor fireplaces distribute radiant warmth directly to your living space. Radiant heat satisfies human comfort needs, using up to 25% less energy compared to traditional forced air systems. Valor warmth efficiently replaces the chill from cold windows and doors, providing steady, even heat to people and objects in the room.



PACIFIC NORTHWEST DESIGN, DEVELOPMENT & DISTRIBUTION

Locally owned and operated in the Pacific Northwest, every Valor fireplace is designed, developed and manufactured exclusively for North America. With a proven product family history, Valor continues to introduce unique fireplaces that stand the test of time.

EASY CONTROL

Standard with every fireplace, our ValorStat remote control adjusts the flame up or down to match the heat output of your needs, providing a constant comfort level as the room warms or as the outside temperature falls—a fireplace for all seasons.



THE COMFORT ZONE

Reduce your furnace's output of hot air into empty rooms and unused spaces.



Zone heating requires no ducting or forced air, delivering radiant and convective warmth to the spaces you frequent the most. Where you want it—when you want it.

BURN CLEAN, ENGINEERED GREEN

Natural gas is the cleanest fireplace fuel you can burn, with the lowest particulate levels and lowest levels of greenhouse gases.



Valor specializes in the design of clean heat solutions for your home.

PRODUCT VERSATILITY

Known for our versatility in the field, Valor products are extremely diverse in their application and design. New construction or home renovation—gas inserts, zero clearance and freestanding fireplaces provide a wide range when selecting the ideal fireplace to suit your personal heating needs.



SAVINGS

Your pilot flame will automatically turn off if your fireplace is inactive for over five days, saving energy and lowering overall home heating costs.



Keep forgetting to turn down your fireplace? Set the ValorStat to automatically turn down after six hours.

NO POWER, NO PROBLEM.™

If the power fails in the winter your home can get cold fast. Valor fireplaces are fully functional heaters that don't need electricity. Our fireplaces provide the perfect mixture of radiant and convective heat, eliminating the need for a fan. No power, no problem.



NO FAN NECESSARY

We firmly believe that you shouldn't put up with the constant buzz of a fan to be warm. That's why we designed glowing fires to radiate heat and heat exchangers to naturally circulate warm air by convection throughout the room. While a fan is an option, you'll likely find it unnecessary.



RELIABILITY

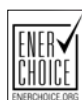
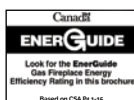
With over 100 years in the heating industry, we take pride in providing high-quality, safe products. Engineered to provide peace of mind, every Valor product undergoes extensive safety testing before it reaches our customer. That's why many customers own more than one Valor fireplace in their lifetime.



FIREPLACE SAFETY — USE RADIANT HEAT SAFELY

Fireplace surfaces, in particular the glass viewing window, are extremely hot during operation and will remain hot for a period of time after the fireplace is turned off. Contact with the hot glass can cause severe burns. Close adult supervision is required if there are young children, or at-risk individuals in the house. Included with your purchase, a Valor barrier screen is recommended at all times. Install an approved aftermarket safety gate to keep toddlers, young children and at-risk individuals a safe distance from the fireplace.

For more information please visit valorfireplaces.com/safety.



Proudly Made in North America

Copyright Miles Industries Ltd. 2017
Designed and manufactured by:





G3.5 (700J) features Traditional logs (702LSK), LedgeStone liner (705LSL), Edgemont Vintage Iron front (721EDV) with Black trim (717BPB), and Black riser (725RTB).

valor
THE ORIGINAL
RADIANT GAS FIREPLACE™

valorfireplaces.com

Your Authorized Valor Dealer

BRG3517E—Oct 2017