



Wood Inserts



DoctorFlue.com

experience the spirit of Jøtul



- 4 Jøtul C 350 Winterport
- 6 Jøtul C 450 Kennebec
- 8 Jøtul C 550 Rockland CF
- 10 Jøtul C 550 Rockland CB

- 12 Benefits of Burning Wood
- 13 Technical Specifications
- 15 General Information



Jøtul C 350 Winterport

Non-Catalytic Wood Burning Insert

Designed specifically for smaller masonry fireplaces and factory built wood fireplaces, the Vesta Design and Technology Award-winning Jøtul C 350 Winterport is our latest innovation in wood insert technology. We use the Jøtul Simplex™ clean burn combustion technology to optimize fuel load and heating efficiency. Named after the coastal Maine town of Winterport and featuring one of the largest fire viewing areas of any comparably sized wood burning insert, the Jøtul C 350 Winterport is sure to bring some Maine charm into your home. To maximize efficiency we have included two variable speed heat activated blower fans. Popular options include small and large surround panels and a choice of two colors.

Options

Cast Iron surround (37"W x 25 1/4"H)
with 2" cast iron plinth (37"W x 27"H)

Steel wide surround (40"W x 30"H) (shown at
right) (must be used with cast surround panel)

Trimable Steel Surround (37"W x 25.5"H)

Pull down flue adaptor

Choice of two colors



Classic Matte Black Paint



Blue/Black Porcelain Enamel



Features

Standard twin blower fans (110 cfm)

Full view air washed glass provides a
clear view of flames

Proven spring-loaded door latch
system recognized as the
industry's finest

Clean face look with Jøtul's signature
Gothic arch

One conveniently located air control
lever easily operates the entire stove

Jøtul Simplex™ non-catalytic clean
burn system puts more heat into
the room without sacrificing fuel
load capacity

Standard andirons

Custom riser kit for firebox leveling
capability

Retro-fittable to most factory built
woodburning fireplaces

5 year limited warranty



Jøtul C 350 Winterport

*Jøtul C 350 Winterport Wood Insert shown here
in Classic Matte Black Paint*

Jøtul C 450 Kennebec (Single Door)

Non-Catalytic Wood Burning Insert

Jøtul expands the fire viewing area of its top selling wood insert with the addition of the single door Jøtul C 450 Kennebec. The single door Jøtul C 450 Kennebec offers the same exceptional performance and versatility as the double door model, but with an easy to load single door. With its new two speed heat activated standard blower fan, the Jøtul C 450 Kennebec is a very robust heater that will add warmth to your hearth, heart and home. Popular options include: wide cast iron surround, trimable steel surround and a choice of two colors.

Options

Wide cast iron surround (48"W x 34"H)
(must be used with standard surround)

Trimable Steel Surround (40"W x 30"H)

Choice of two colors



Classic Matte Black Paint



Blue/Black Porcelain Enamel



Features

Largest fire viewing area (171 sq. in.)
of any similar sized wood burning
insert

Full view air washed glass provides a
clear view of flames

Standard blower (120 cfm) maximizes
heating efficiency

Standard cast iron surround panel
design that fits the majority of North
American fireplaces (30 1/4"H x 40"W)

One easy control lever operates the
entire stove

Precision depth adjustable firebox
5 year limited warranty



Jøtul C 450 Kennebec
(Single Door)

*Jøtul C 450 Kennebec Single Door Wood Insert
shown here in Classic Matte Black Paint*

Jøtul C 550 Rockland CF

Non-Catalytic Wood Burning Insert

Showcasing all the features and benefits of the traditional Jøtul C 550 Rockland, the new Jøtul C 550 Rockland CF now offers an unobstructed view of the fire as well. Featuring one of the largest fire viewing areas of any comparably sized wood burning insert, the Jøtul C 550 Rockland CF incorporates the Jøtul Simplex™ clean burn combustion system that maximizes heating efficiency and firebox capacity. Named after the coastal Maine town of Rockland, the Jøtul C 550 Rockland CF was designed to be a whole house heater. Standard features include two variable speed heat activated blower fans and a 40"W x 31 5/8"H cast iron surround. Popular options include large surround panel and Steel Trimable surround.

Options

*Wide cast iron surround panel
(44"W x 44"H – must be used with
standard surround)*

Trimable Steel Surround (40"W x 32"H)



Classic Matte Black Paint



Features

Jøtul Simplex™ clean burn technology with removable baffle

Standard andirons

Full view air washed glass provides a clear view of flames

Premium “flush face” design

Standard twin blower fans (180 cfm)

Removable pull down flue adaptor

Patented Jøtul spring-loaded door latch system

Standard cast iron surround (40"W x 31 5/8"H)

One conveniently located air control lever easily operates the entire stove

5 year limited warranty



Jøtul C 550 Rockland CF

*Jøtul C 550 Rockland CF
shown here in Classic Matte Black Paint*

Jøtul C 550 Rockland CB

Non-Catalytic Wood Burning Insert

Clean lines and delicate curves frame the magnificent fire view of our new large flush face wood burning insert – the Jøtul C 550 Rockland CB. Featuring one of the largest fire viewing areas of any comparably sized wood burning insert, the Jøtul C 550 Rockland CB incorporates the Jøtul Simplex™ clean burn combustion system that maximizes heating efficiency and firebox capacity. Named after the coastal Maine town of Rockland, the Jøtul C 550 Rockland CB was designed to be a whole house heater. Standard features include two variable speed heat activated blower fans and a 40"W x 31 5/8"H cast iron surround. Popular options include large surround panel and a choice of three colors.

Options

Steel wide trim surround (must be used with standard cast iron surround)

(44"W x 34"H)

Trimable Steel Surround (40"W x 32"H)

(shown at right)

Choice of three colors



Classic Matte Black Paint



Blue/Black Porcelain Enamel



Majolica Brown Porcelain Enamel



Features

Jøtul Simplex™ clean burn technology with removable baffle

Standard andirons

Full view air washed glass provides a clear view of flames

Premium “flush face” design

Standard twin blower fans (180 cfm)

Removable pull down flue adaptor

Patented Jøtul spring-loaded door latch system

Standard cast iron surround (40"W x 31 5/8"H)

One conveniently located air control lever easily operates the entire stove

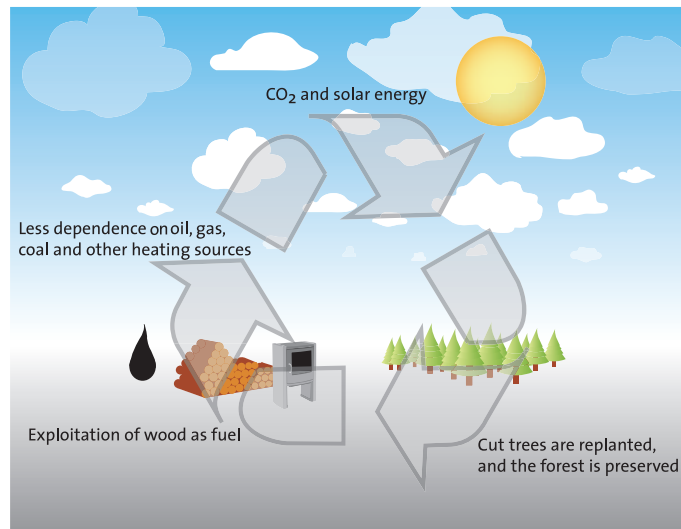
5 year limited warranty



Jøtul C 550 Rockland CB

*Jøtul C 550 Rockland CB Wood Insert shown here
in Majolica Brown Enamel*

Benefits of burning wood



Burning the right wood

Many factors play a part when it comes to the overall quality of the wood you burn. All wood, regardless of the species, has about the same energy content per pound. The different species vary only in density. The more dense a species of wood is, the greater the heat value or BTUs created per cord. Hard wood (oak, maple) will burn longer and produce more heat than softer woods (pine, birch). Ultimately it is more important to have wood that is cut, split, stacked and dried properly than it is to get the hardest wood available. Seasoning or drying your wood prior to burning is a key ingredient to a high efficiency, low emissions fire. Depending on the species, wood should be cut, split and allowed to dry under cover for 6 months to two years.

Clean Burn Technology

Volatile gases are released from wood as it burns. Fifty percent of wood's heat value is contained in these gases and, if not completely burned, they contribute to air pollution. By burning well seasoned wood, and utilizing Jøtul's clean burn technology, you greatly reduce smoke emissions while increasing your stove or insert's efficiency.

Woodburning Fireplace Insert Specifications

Jøtul C 350 Winterport

Classic Cast Iron Surround

37" wide x 25 1/2" high

(27 1/2" H w/Plinth)

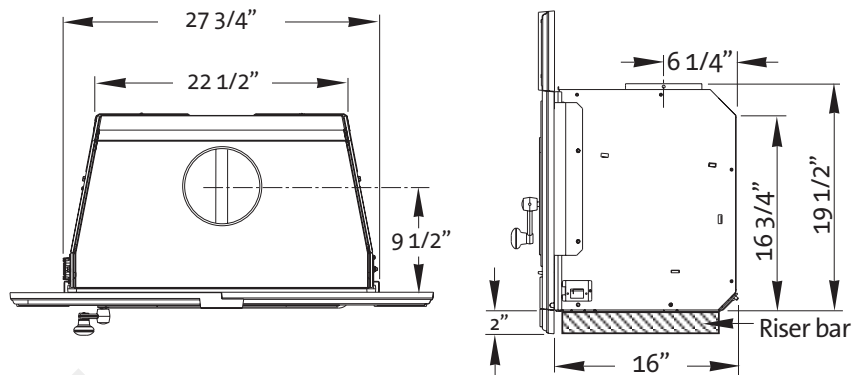
Trimable Steel Surround

37" wide x 25 1/2" high

Extended Steel Surround

Backing Panel

40" wide x 30" high



Jøtul C 450 Kennebec

(Single or Double Door)

Classic Cast Iron Surround

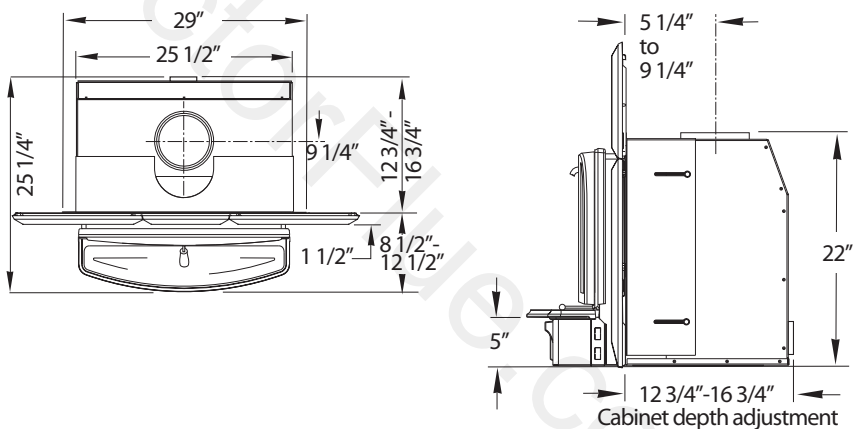
40" wide x 30 1/4" high

Trimable Steel Surround

40" wide x 30" high

Extended Cast Iron Surround

48" wide x 34" high



Jøtul C 550 Rockland

Classic Cast Iron Surround

40" wide x 31 5/8" high

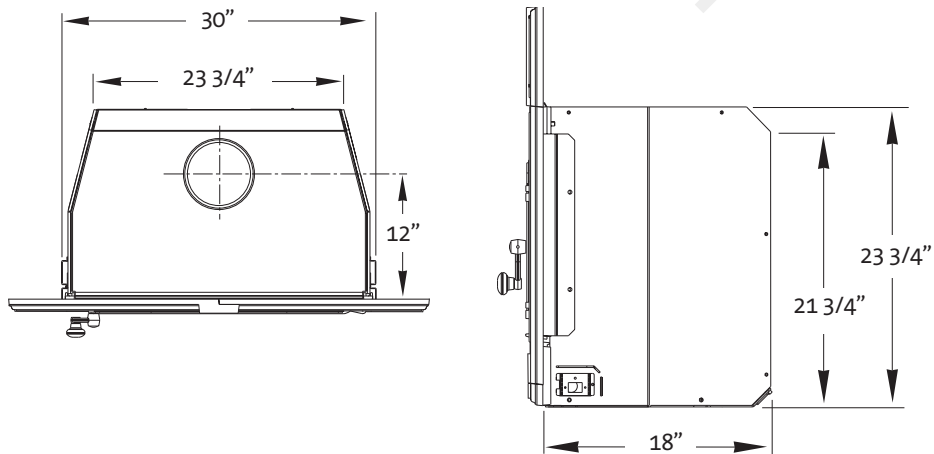
Trimable Steel Surround

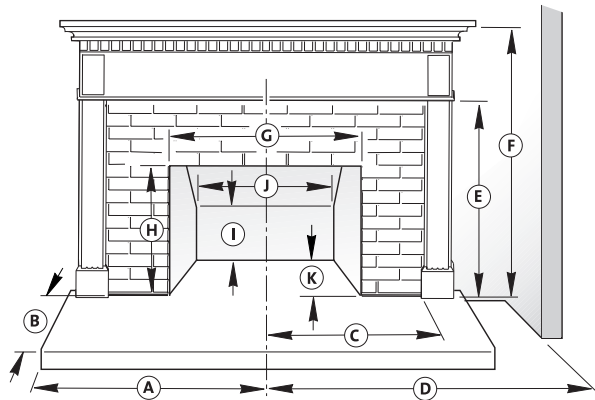
40" wide x 32" high

Extended Steel Surround

Backing Panel

44" wide x 34" high





All dimensions measured from the fireplace cavity centerline or the hearth surface

Minimum Dimensions	Jøtul C 350	Jøtul C 450	Jøtul C 550
A: Hearth Width from centerline	17 1/4"	20"	18 1/2"
B: Hearth Depth	16"	18"	16"/20" CAN***
C: To 1" Side Trim from centerline	19 1/2"	20 3/4"	21 3/4"
D: To Side Wall from centerline	54 1/2"	44 1/4"	54"
E: To 1" Top Trim	39"*	n/a	n/a
F: To 3 1/2" Mantel	48"*	49 1/2" ¹	51 3/4"/57 1/2" CAN**
To 1 1/2" Mantel	54"*	55 1/2" ¹	57 3/4"/63 1/2" CAN**
G: Front Opening Width	32"	27 1/2"	33"
H: Lintel Height	19 1/2"*	23"	23 3/4"
I: Rear Wall Height	16 3/4"	21 1/2"	22"
J: Rear Wall Width	22 3/4"	25 1/2"	24"
K: Fireplace Depth	16"	14" - 17"	19"

* Add 2" w/ Jøtul C 350 Riser

** Mantel clearance may be reduced by 9 3/4" in both US and Canada with use of optional Mantel Heat Shield

*** 15 1/2" in Canada with 2 1/2" raised hearth extension in code approved masonry fireplace

¹ Mantel clearance may be reduced by 12" in both US and Canada with use of optional Mantel Heat Shield



Model	Jøtul C 350 Winterport	Jøtul C 450 Kennebec (Single or Double Door)	Jøtul C 550 Rockland
Combustion Technology	Non-Catalytic Clean Burn	Non-Catalytic Clean Burn	Non-Catalytic Clean Burn
Construction	Cast Iron & Steel	Cast Iron & Steel	Cast Iron & Steel
Minimum Fireplace Dimensions	32" x 19 1/2" x 16"	27 1/2" x 23" x 14"-17"	33" x 23 3/4" x 19"
Weight	425 lbs.	445 lbs.	550 lbs.
Flue Size	6"	6"	6"
Firebox Size	1.32 ft ³	2.05 ft ³	2.08 ft ³
Minimum Hearth Dimensions	34 1/2" x 16"	40" x 18"	37" x 16"/20" Can
Log Length	up to 20"	up to 20"	up to 24"
Maximum Heat Output ¹	40,000 BTU/hr	50,000 BTU/hr	65,000 BTU/hr
Heating Capacity ²	up to 1,300 sq. ft.	up to 1,600 sq. ft.	up to 1,800 sq. ft.
Overall Efficiency ³	over 75% efficient	over 75% efficient	over 75% efficient
Emissions	4.0 grams/hr	4.4 grams/hr	4.5 grams/hr
Burn Time	up to 7 hours	up to 8 hours	up to 10 hours

¹ Maximum Heat Output is based on kg of dry wood burned per hour

² Heat Capacity and Maximum Burn Time will vary depending on design of home, climate, wood type and operation

³ The woodstoves listed above have at least a 75% thermal efficiency rating as measured using a lower heating value and comply with IRS tax guidelines for a consumer tax credit

General Information

Warranty

Our 5 year warranty: a cast iron promise of quality. Jøtul guarantees the quality of its cast iron components against any defects in materials or workmanship for five years, subject to the exclusions and limitations noted on our warranty. For complete details, ask your Authorized Jøtul Dealer.

Installation

Specifications and dimensions published in this brochure are intended to be used as guidelines for comparison only. Always consult the owner's manual in planning any installation. Specifications and dimensions are subject to change without notice. Contact local building or fire officials regarding restrictions and installation inspection requirements in your area.

Photographs

Some settings for the photographs are for aesthetic purposes only and may not comply with installation requirements. Materials, specifications, accessories, colors, and models are subject to change without notice. Some models are shown with optional accessories.

All Matte Black painted wood stoves and inserts come with Matte Black door handles.

Ask your authorized Jøtul Group Dealer about our full line of cast iron wood and gas stoves, inserts and fireplaces.



DoctorFlue.com

A Jøtul Group Company

Jøtul North America
55 Hutcherson Drive
Gorham, Maine 04038

www.jotul.us

Find us on



Printed in U.S.A.
August 2012

Wood Inserts

